

36" Dual Fuel Range

HR 1934 DF, HR 1934 DF LP



36" Dual Fuel Range

Model: HR 1934 DF / HR 1934 DF LP



HR 1934 DF / HR 1934 DF LP

Features:

- M Touch controls and backlit precision knobs
- ComfortLift panel
- M Pro dual stacked burner system with TrueSimmer
- ComfortClean dishwasher-safe grates
- TwinPower Convection fans
- 21 Operating modes including Self Clean
- Moisture plus
- MasterChef and MasterChef Plus automatic programs
- Wireless roast probe
- Soft Close and Soft Open
- Clean Touch Steel™ front

SPECIFICATIONS

| | |
|--|--|
| HR 1934 DF – | Item 25193451USA |
| HR 1934 DF LP – | Item 25193452USA |
| Overall Unit Width | 35 ¹⁵ / ₁₆ " (913 mm) |
| Overall Unit Height to Cooktop | 35 ¹ / ₂ " – 37" (901.7 – 939.8 mm) |
| Overall Unit Depth to Front of Control Panel | 26 ¹ / ₂ " (673 mm) |
| Oven Door Clearance | 22 ³ / ₄ " (577 mm) |
| Niche | |
| Minimum Cabinet Niche Width | 36" (914 mm) |
| Minimum Cabinet Opening Height | 35 ¹ / ₂ " (901.7 mm) |
| Burners (G/LP) | M Pro Power Plus - Standard Configuration* |
| Gas Burners: | (1) 12,500 BTU (G/LP); (5) 19,500 BTU (G/LP) |
| Total BTU Output | 110,000 BTU (G/LP) |
| Gas | |
| Gas Line Connection | 1/2" NPT |
| Operational Altitudes | |
| | Miele Natural Gas and LP Ranges and Rangetops will function up to 9,800 ft. in altitude without adjustment; the following exception will function up to 6,500 ft. in altitude without adjustment: |
| High Altitude | <ul style="list-style-type: none"> • Griddle in LP: HR 1136 LP, HR 1936 LP, HR 1956 LP, KMR 1136 LP, KMR 1356 LP • Grill in G: HR 1135 G, HR 1935 G, HR 1955 G, KMR 1135 G, KMR 1355 G <p>If an installation exceeds these elevations, please contact rangejetkit@mieleusa.com.</p> |
| Plumbing | |
| Water Supply Requirements | An Inline water filter, like activated carbon, is required to reduce mineral deposits. Do not connect to a Reverse Osmosis (RO) water system. Connect to a cold water supply only. Must be connected to a shut-off valve. The water shut-off valve must be accessible after installation. The water pressure must be between 14.5 and 145 psi (1 and 10 bars). If the pressure is higher, install a pressure-reducing valve. The supplied hose has a length of 4' 11" (1.5 m). The hose must not be shortened. The total hose length must not exceed 24.5 ft. (7.5 m). |
| Plumbed Hose Connection | Supplied hose: flexible braided 4'11" (1.5 m) with 3/8" O.D. compression fitting for connection to a shut off valve |
| Electrical | |
| Electrical Requirements | 120V / 240V, 60Hz, 30 Amps 120V / 208V, 60Hz, 30 Amps |
| Power Cord | NEMA 14-30 plug, 5' 11" (1.8 m) long |
| Shipping | |
| Shipping Weight | 438.7 lbs. (199 kg) |
| Shipping Dimensions | 43 ⁵ / ₁₆ " (1100 mm) W x 52" (1,294 mm) H x 31 ¹ / ₂ " (800 mm) D |
| Support | |
| Call Miele | 800.843.7231 |
| Miele Website | www.mieleusa.com |
| 20/20 Link | 2020technologies.com |

* Please note if a BTU-reducing kit is necessary, an authorized installer is required to modify the product to meet ANSI Z21.

36" Dual Fuel Range
Model: HR 1934 DF / HR 1934 DF LP



Optional Accessories:



12" Backguard
RBGAG1236

12" tall high-quality brushed stainless
steel Backguard



20" Backguard
RBGAG2036

20" tall high-quality brushed stainless
steel Backguard



40" Backsplash
RBS36

40" tall flat stainless steel Backsplash
panel

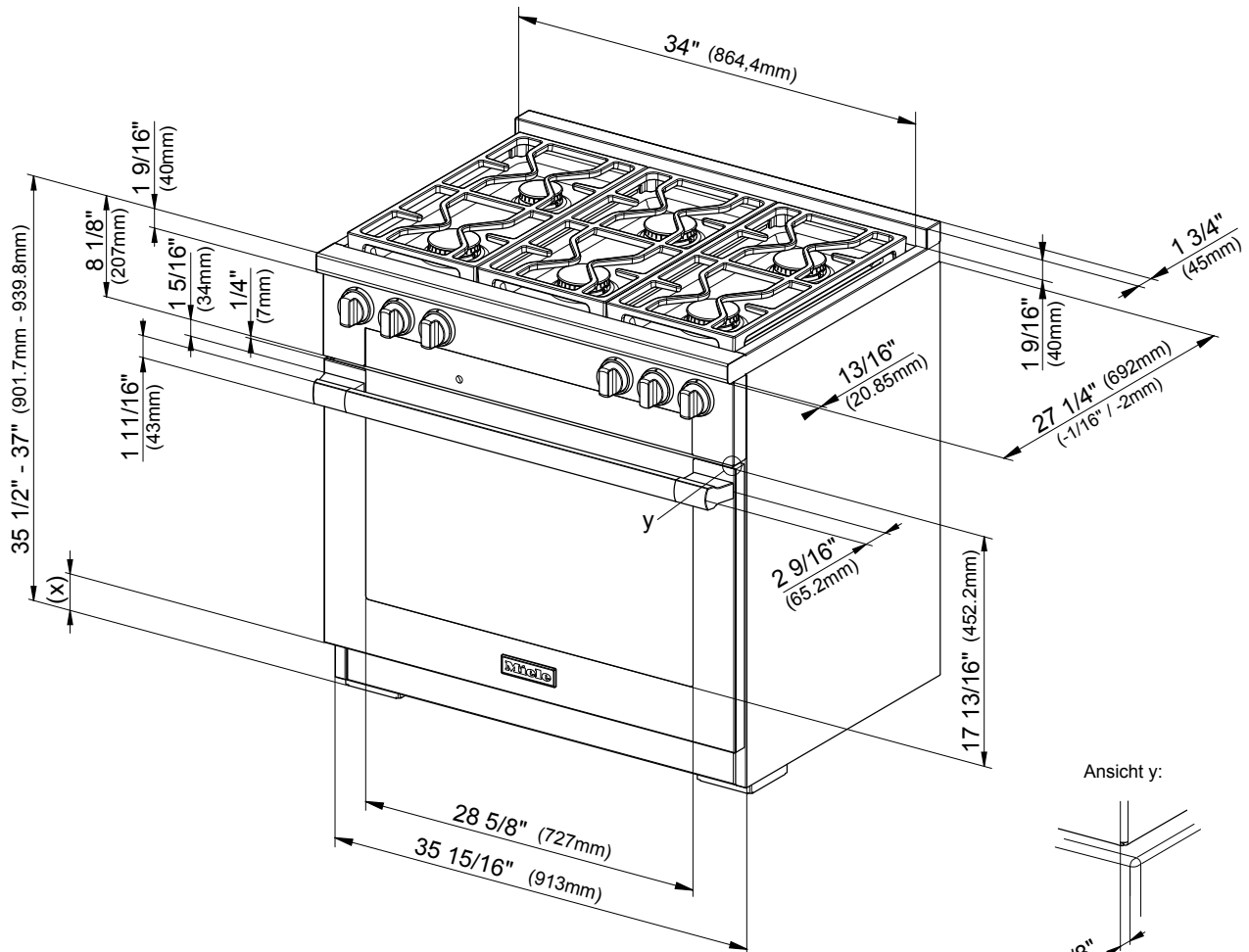
36" Dual Fuel Range

Model: HR 1934 DF / HR 1934 DF LP

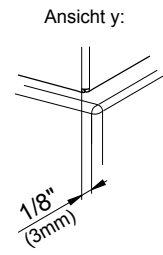


PRODUCT VIEWS

Isometric



(x) = Toe-kick height adjustment 5" - 6 1/2" (127 mm - 165.1 mm)



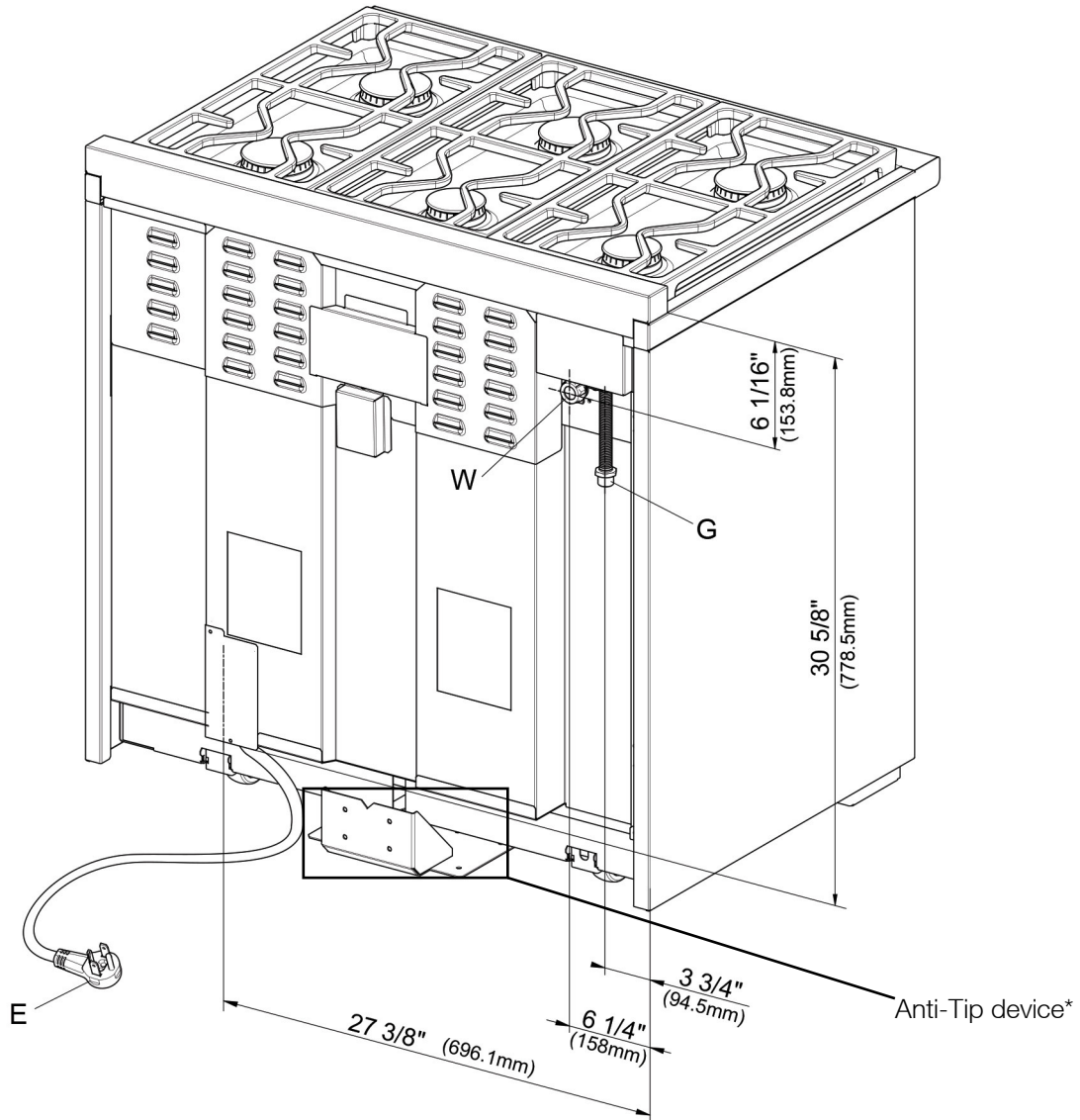
36" Dual Fuel Range

Model: HR 1934 DF / HR 1934 DF LP



PRODUCT VIEWS

Rear View



E = Electrical connection

W = Plumbing

G = Gas connection

*Anti-tip device must be fastened securely in place to all studs or floor. Please refer to the Anti-tip device section in the installation manual for further details.

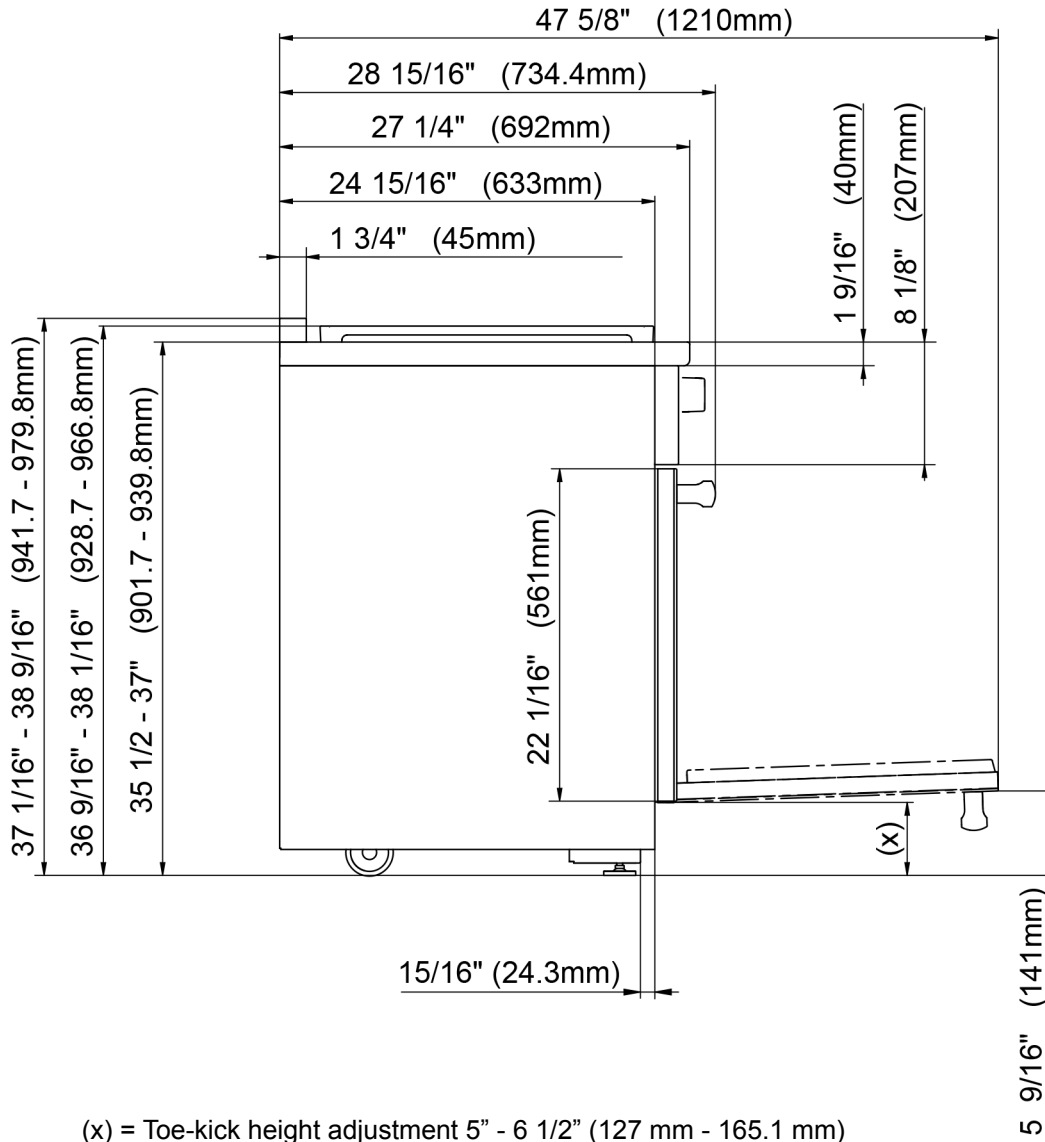
36" Dual Fuel Range

Model: HR 1934 DF / HR 1934 DF LP



PRODUCT VIEWS

Detailed Side View



(x) = Toe-kick height adjustment 5" - 6 1/2" (127 mm - 165.1 mm)

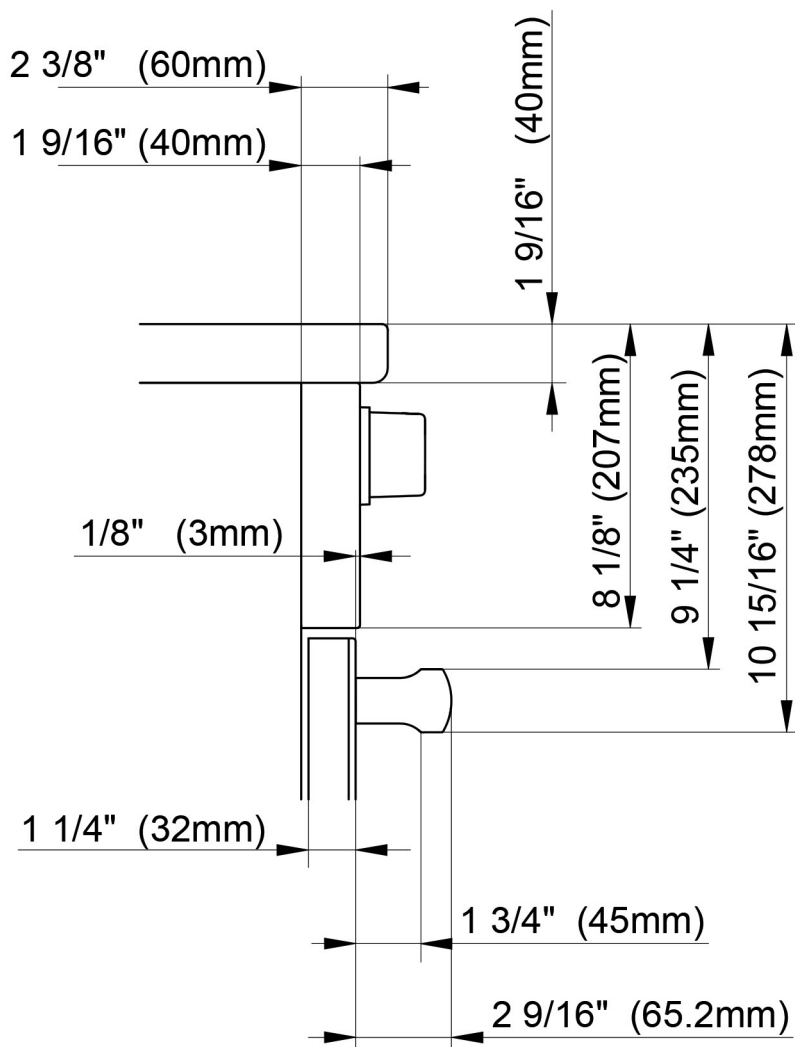
36" Dual Fuel Range

Model: HR 1934 DF / HR 1934 DF LP



PRODUCT VIEWS

Detailed Bullnose and Handle View



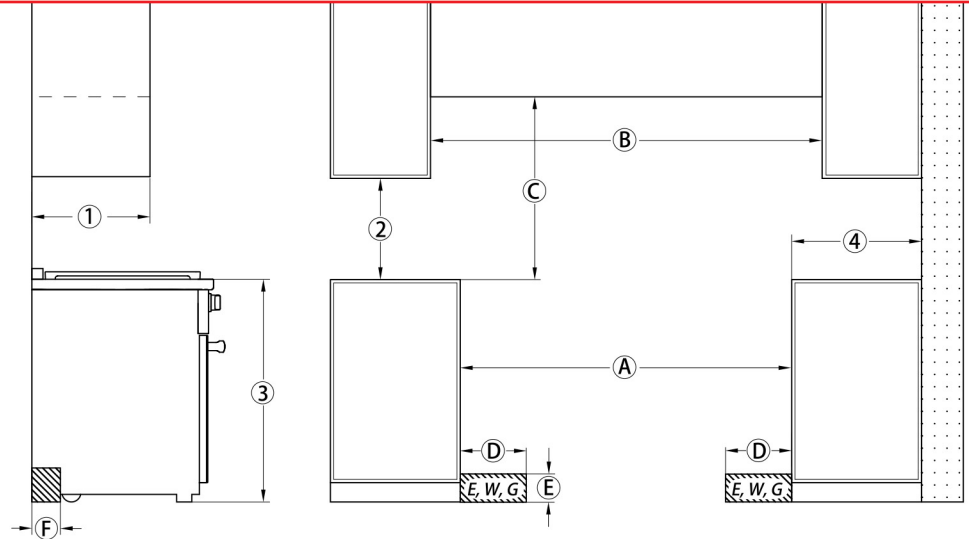
36" Dual Fuel Range

Model: HR 1934 DF / HR 1934 DF LP



M Pro Power Plus Configuration

Standard Configuration with Pro Hood*



Ⓑ In case of combustible materials, a minimum distance of 6" must be observed on each side in addition to dimension Ⓐ.

Ⓓ, Ⓔ, Ⓕ The shaded area represents the installation area for the connections:
E = Electrical connection, W = Water connection, G = Gas connection

M Pro Power Plus SPECIFICATIONS

Burners (G/LP)

Gas Burners: (1) 12,500 BTU (G/LP);
(5) 19,500 BTU (G/LP)

Total BTU Output 110,000 BTU (G/LP)

| Position | Dimensions | Description | |
|--|-----------------------------------|--|-----------------------------|
| Ⓐ | 13" (330 mm) | Maximum depth of top cabinet | |
| Ⓑ | 18" (457 mm) | Minimum distance to bottom edge of top cabinet | |
| Ⓒ | 35 1/2"-37" (901-940 mm) | Distance from the floor to cooktop surface | |
| Ⓓ | 10" (254 mm) | Minimum distance to combustible surfaces. | |
| Ⓔ | Min. 36" (914 mm) | Width of cabinet opening | |
| Ⓕ | 6" + Ⓐ + 6" (150 mm + Ⓐ + 150 mm) | If combustible materials are present, an additional minimum distance of 6" (150 mm) (each side) is required. Ensure that the local codes are observed. | |
| Ⓖ | 37" (940 mm) | Minimum distance between the top of the cooking area and the bottom of an unprotected combustible surface. | |
| | 36" (914 mm) | Minimum distance between the top of the cooking area and the bottom of the Miele Range Hood (DAR model with DRxB XL blower). | |
| | 30" (762 mm) | Minimum distance between the top of the cooking area and the bottom of the Miele Range Hood (DAR model with DRxB XXL blower). | |
| For all other Hoods please consult the manufacturer's specifications for required distances. | | | |
| Ⓗ | Approx. 13 3/4" (350 mm) | Maximum connection width right and left | Position of the wall socket |
| Ⓖ | Approx. 4 1/2" (115 mm) | Maximum connection height | |
| Ⓗ | Approx. 2 13/16" (72 mm) | Maximum connection depth | |

* Please note if a BTU-reducing kit is necessary, an authorized installer is required to modify the product to meet ANSI Z21.

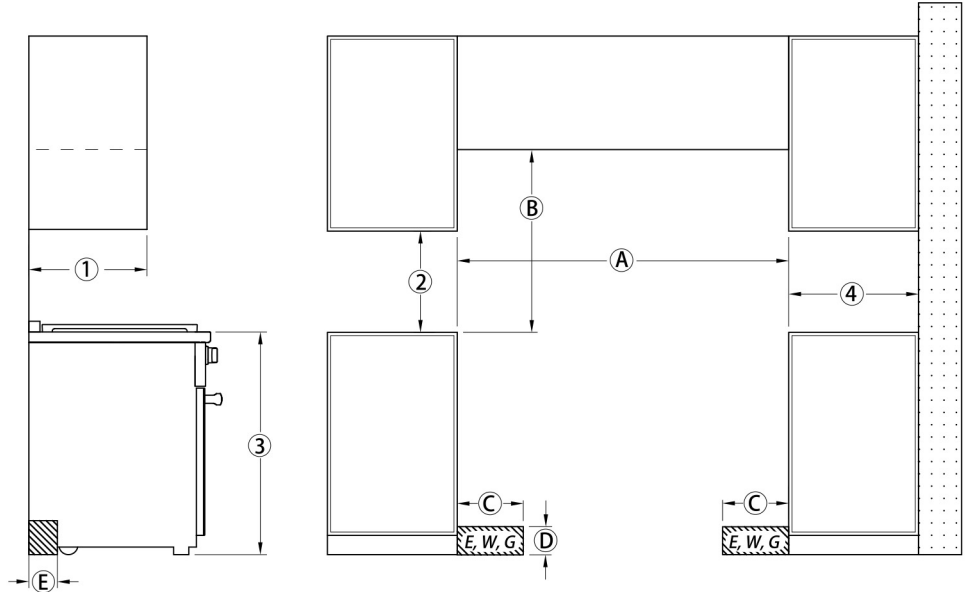
36" Dual Fuel Range

Model: HR 1934 DF / HR 1934 DF LP



M Pro Power Configuration

Seamless Configuration with Pro Hood (Zero Gap)



Ⓒ, Ⓓ, Ⓔ The shaded area represents the installation area for the connections:
 E = Electrical connection, W = Water connection, G = Gas connection

| M Pro Power SPECIFICATIONS | |
|----------------------------|---|
| Burners (G/LP) | |
| Gas Burners: | (1) 10,000 BTU (G/LP); (5) 14,700 BTU (G/LP) |
| Total BTU Output | 83,500 BTU (G/LP) |

Jets are a standard accessory and are changed during installation

| Position | Dimensions | Description | |
|--|-----------------------------|---|-----------------------------|
| ① | 13" (330 mm) | Maximum depth of top cabinet | |
| ② | 18" (457 mm) | Minimum distance to bottom edge of top cabinet | |
| ③ | 35 1/2"–37" (901–940 mm) | Distance from the floor to cooktop surface | |
| ④ | 10" (254 mm) | Minimum distance to combustible surfaces. | |
| Ⓐ | Min. 36" (914 mm) | Width of cabinet opening Please contact Miele Service for more information. | |
| Ⓑ | 37" (940 mm) | Minimum distance between the top of the cooking area and the bottom of an unprotected combustible surface. | |
| | 36" (914 mm) | Minimum distance between the top of the cooking area and the bottom of the Miele Range Hood (DAR model with DRxB XL blower). | |
| | 30" (762 mm) | Minimum distance between the top of the cooking area and the bottom of the Miele Range Hood (DAR model with DRxB XXL blower). | |
| For all other Hoods please consult the manufacturer's specifications for required distances. | | | |
| Ⓒ | Approx. 13 3/4" (350 mm) | Maximum connection width right and left | Position of the wall socket |
| Ⓓ | Approx. 4 1/2" (115 mm) | Maximum connection height | |
| Ⓔ | Approx. 2 13/16" (72 mm) | Maximum connection depth | |

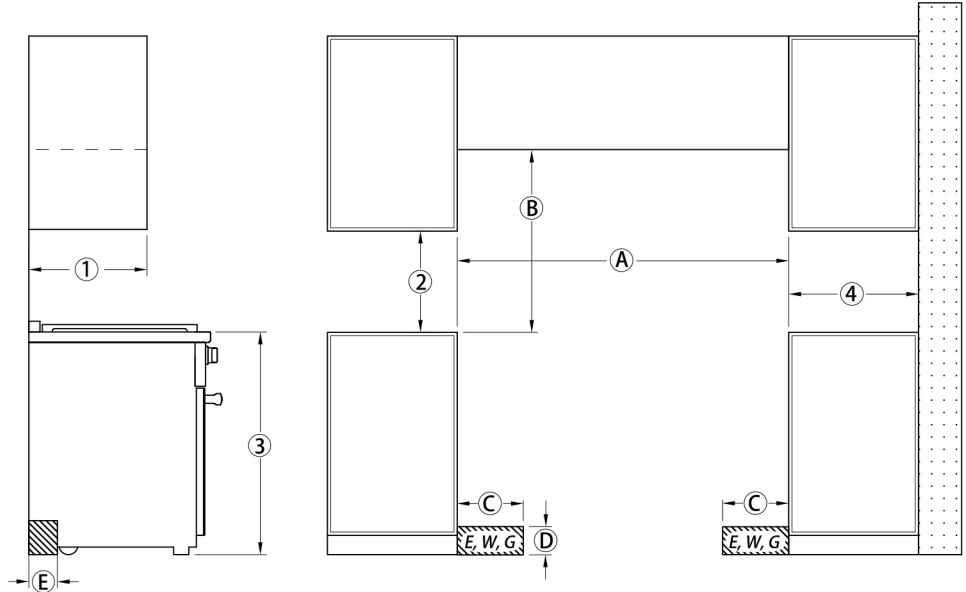
36" Dual Fuel Range

Model: HR 1934 DF / HR 1934 DF LP



M Pro Configuration

Seamless Configuration with Non-Pro Hood (Décor)



Ⓒ, Ⓓ, Ⓔ The shaded area represents the installation area for the connections:
 E = Electrical connection, W = Water connection, G = Gas connection

| M Pro SPECIFICATIONS | |
|----------------------|---|
| Burners (G/LP) | |
| Gas Burners: | (1) 10,000 BTU (G/LP); (5) 12,200 BTU (G/LP) |
| Total BTU Output | 71,000 BTU (G/LP) |

Jets are a standard accessory and are changed during installation

| Position | Dimensions | Description | |
|----------|---|--|-----------------------------|
| Ⓐ | 13" (330 mm) | Maximum depth of top cabinet | |
| Ⓑ | 18" (457 mm) | Minimum distance to bottom edge of top cabinet | |
| Ⓒ | 35 1/2"–37" (901–940 mm) | Distance from the floor to cooktop surface | |
| Ⓓ | 10" (254 mm) | Minimum distance to combustible surfaces. | |
| Ⓔ | Min. 36" (914 mm) | Width of cabinet opening Please contact Miele Service for more information. | |
| Ⓕ | Please refer to Miele ventilation hood installation manual, Appliance Dimensions section (Distance between cooktop and hood (S)) For all other Hoods please consult the manufacturer's specifications for required distances. | | |
| Ⓖ | Approx. 13 3/4" (350 mm) | Maximum connection width right and left | Position of the wall socket |
| Ⓗ | Approx. 4 1/2" (115 mm) | Maximum connection height | |
| Ⓖ | Approx. 2 13/16" (72 mm) | Maximum connection depth | |