The main image shows a 36-inch flush-mounted gas cooktop (model KM 2355) integrated into a light-colored countertop. The cooktop features six burners, a griddle, and a stainless steel pot on the right side. The background shows a modern living room with a brown sofa, a coffee table, and a wine glass on the counter.

KM 2355

36" Flush-Mounted Gas Cooktop

KM 2355



KM 2355 FEATURES

- 5 completely sealed burners:
 - (1) 650 – 3,900 BTU Auxiliary burner
 - (2) 1,100 – 6,000 BTU Normal burner
 - (1) 1,800 – 9,500 BTU High Speed burner
 - (1) 700 – 15,000 BTU Double-inset super burner
- Flush mounted gas cooktop
- Dishwasher-safe ComfortClean grates
- Center controlled with stainless steel knobs
- Ignition safety control

SPECIFICATIONS

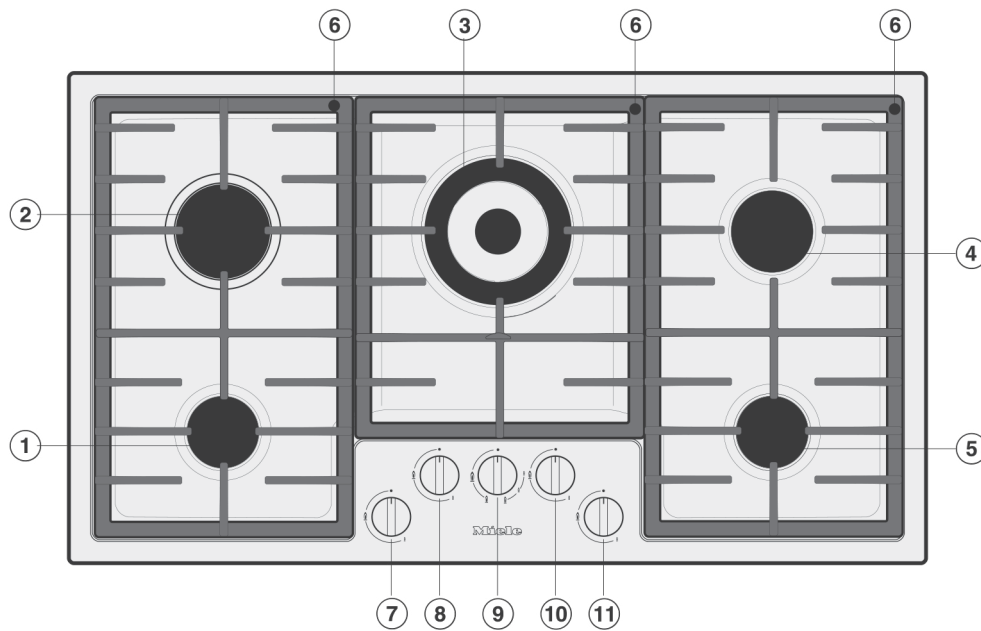
KM 2355 G Cooktop	Item #26235560USA
KM 2355 LP Cooktop	Item #26235561USA
Unit Width	35 ¹ / ₈ " (892 mm)
Unit Height (To Gas Connection)	4 ¹ / ₁₆ " (102 mm)
Unit Depth	20 ³ / ₁₆ " (512 mm)
Niche Dimensions	
Cut-out Dimensions	34 ⁵ / ₈ " (880 mm) W x 19 ¹ / ₁₆ " (514 mm) D
Minimum Back Spacing From Wall	2" (50 mm)
Minimum Countertop Thickness	1 ¹ / ₈ " (29 mm)
Minimum Safety Distance to Ventilation Hood	30" (760 mm)
Electrical	
Electrical Requirements	120V, 60Hz, 15A
Power Cord	Molded NEMA 5-15 plug, 4 ft. (1.2 m)
Electrical Rating	25W During ignition only
Gas Burners	
Auxiliary Burner	3,900 BTU (G), 3,000 BTU (LP)
Normal Burner	5,900 BTU (G), 6,000 BTU (LP)
High-Speed Burner	9,800 BTU (G), 9,500 BTU (LP)
Double-Insert Super Burner	13,000 BTU (G), 15,000 BTU (LP)
Total Maximum BTU Output	38,500 BTU (G), 39,500 BTU (LP)
Gas	
Gas Connection	1/2" NPT
Maximum Gas Supply Pressure	Natural Gas - 14" WC (34.9 mb), 1/2 psi (3.5 kPa) LP Gas - 14" WC (34.9 mb), 1/2 psi (3.5 kPa)
Minimum Gas Supply Pressure	Natural Gas - 6" WC (15 mb) LP Gas - 10" WC (25 mb)
Shipping	
Shipping Weight	51.8 lbs (23.5 kg)
Shipping Dimensions	41 ⁵ / ₁₆ " W x 9" H x 25 ⁵ / ₈ " L
Notes	
Not intended for use with Miele DA 6480 and DA 6490 Downdraft hoods.	
Support	
Call Miele	(800) 999-1360
Miele Website	www.mieleusa.com
20/20 Link	2020technologies.com

36" Flush-Mounted Gas Cooktop KM 2355



PRODUCT LAYOUT

Top View



- ① Auxiliary burner
- ② High-speed burner
- ③ Double-insert super burner
- ④ Normal burner
- ⑤ Normal burner
- ⑥ Grate (three pieces)

Controls:

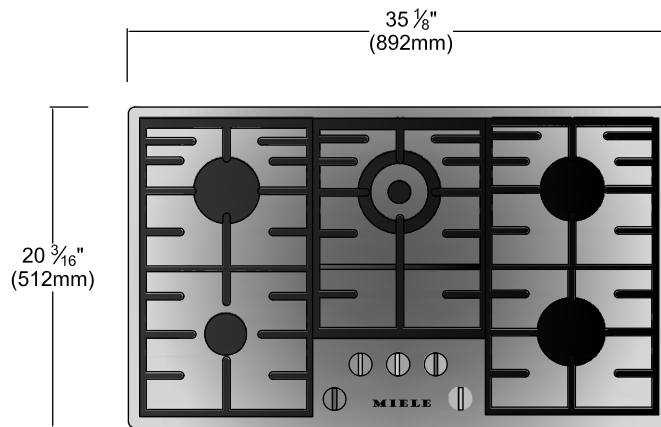
- ⑦ Front left
- ⑧ Back left
- ⑨ Middle
- ⑩ Back right
- ⑪ Front right

36" Flush-Mounted Gas Cooktop KM 2355

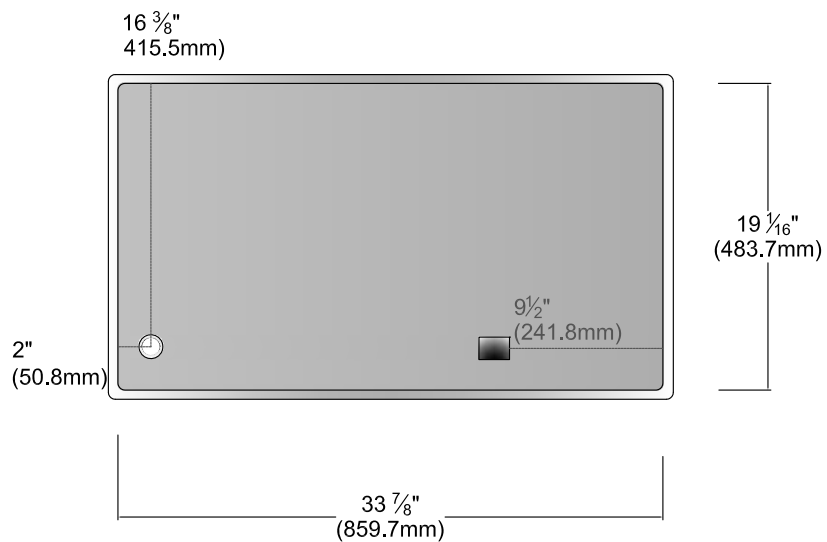


PRODUCT VIEWS

Top View



Bottom View

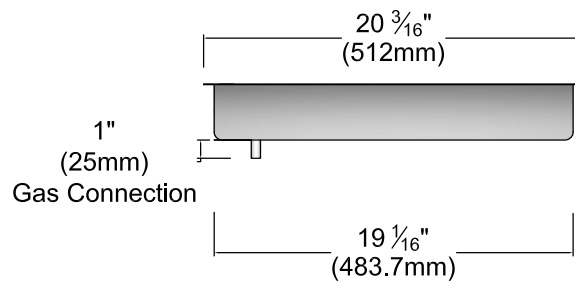


36" Flush-Mounted Gas Cooktop KM 2355

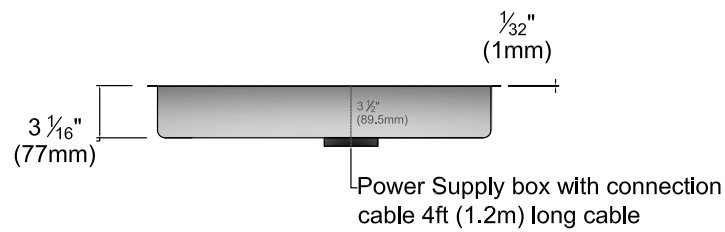


PRODUCT VIEWS

Left View



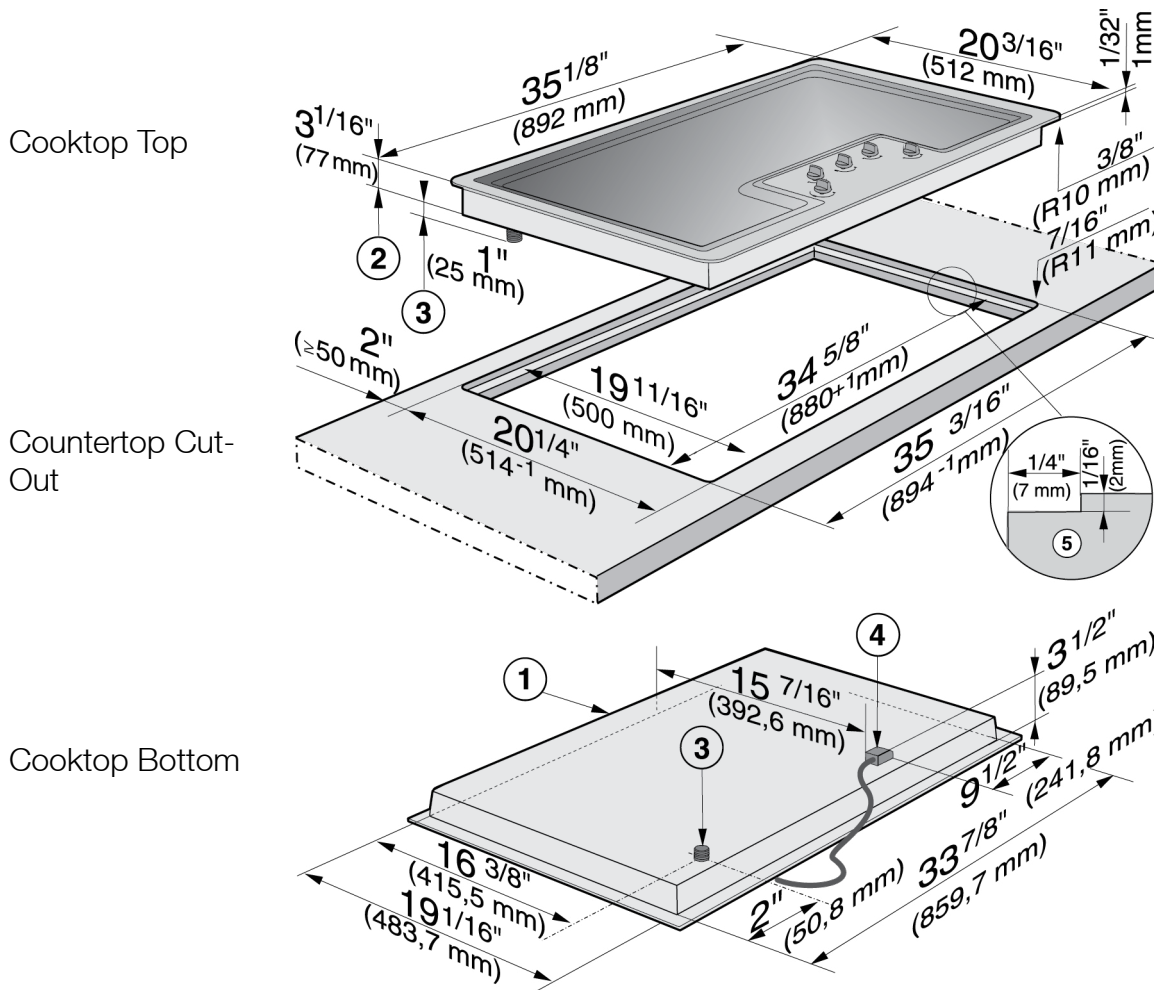
Right View



36" Flush-Mounted Gas Cooktop KM 2355



INSTALLATION DIMENSIONS



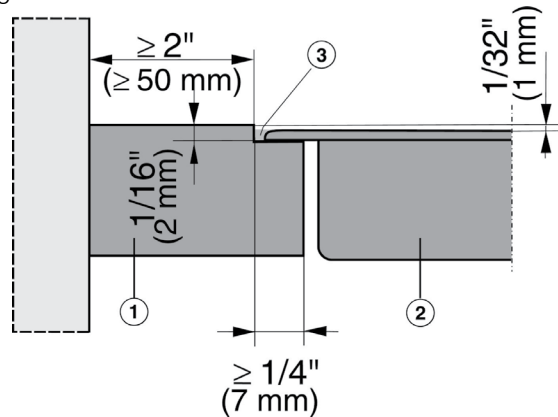
- ① Appliance front
- ② Installation height
- ③ Gas connection
- ④ Power supply box with connection cable, L = 4 ft (1.2 m)

36" Flush-Mounted Gas Cooktop KM 2355



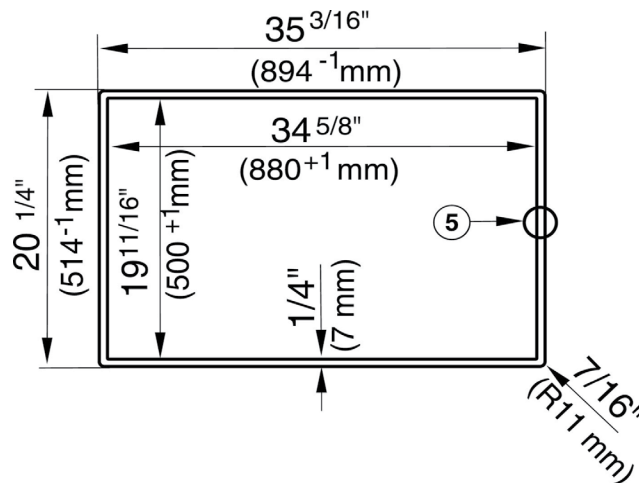
INSTALLATION SAFETY CLEARANCE

Side View Of Flush Mount Installation
With Granite, Marble, or Solid Surface
Countertops



- ① Countertop
- ② Cooktop
- ③ Gap

As the ceramic glass and the countertop cut-out have a certain dimensional tolerances, the size of gap ③ can vary.



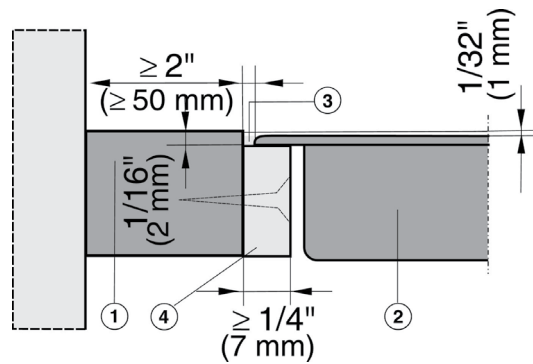
- ⑤ Stepped cut-out for granite or marble worktops

36" Flush-Mounted Gas Cooktop KM 2355



INSTALLATION SAFETY CLEARANCE

Side View Of Flush Mount Installation
for Solid Wood, Tiled, Or Glass
Countertops



- ① Countertop
- ② Cooktop
- ③ Gap
- ④ Wooden frame $1/4"$ (7 mm)
(to be provided on site)

As the ceramic glass and the countertop cut-out have a certain dimensional tolerance, the size of gap ③ can vary.

36" Flush-Mounted Gas Cooktop KM 2355



KM 2355 G/LP GAS COOKTOP INSTALLATION IN COMBINATION WITH UNDERCOUNTER 30" MIELE OVEN H6x80BP

Countertop Thickness vs. Toekick Height

Taken into consideration:

- 35" tall cabinetry
- Gas pressure regulator mounted on back wall or in adjacent cabinetry
- 90 degree street elbow used on bottom of cooktop
- Cooktop is flush mounted
- $\frac{3}{4}$ " (exact) platform thickness under oven/above toekick

		Toekick Height										
		$3\frac{1}{2}$	$3\frac{3}{4}$	4	$4\frac{1}{4}$	$4\frac{1}{2}$	$4\frac{3}{4}$	5	$5\frac{1}{4}$	$5\frac{3}{4}$	6	
Countertop Thickness	$1\frac{1}{8}$	NA	NA	NA	NA	NA	NA	NA	NA	NA	NA	NA
	$1\frac{1}{4}$	NA	NA	NA	NA	NA	NA	NA	NA	NA	NA	NA
	$1\frac{1}{2}$	NA	NA	NA	NA	NA	NA	NA	NA	NA	NA	NA
	$1\frac{3}{4}$	OK	NA	NA	NA	NA	NA	NA	NA	NA	NA	NA
	2	OK	OK	NA	NA	NA	NA	NA	NA	NA	NA	NA
	$2\frac{1}{4}$	OK	OK	OK	NA	NA	NA	NA	NA	NA	NA	NA

 = Typical Installation