

24" 4-Burner Gas on Glass Cooktop

KM 3010 G/LP



24" 4-Burner Gas on Glass Cooktop KM 3010 G/LP



KM 3010 G/LP

Features:

- 4 sealed burners (max output):
 - (1) 9,300 BTU High-speed burner
 - (2) 5,800 BTU Normal burners
 - (1) 3,750 BTU Auxiliary/Simmer burner
- 'Gas on Glass' design for easy cleanability
- Center control panel with stainless steel knobs
- Stainless steel trim on back and front
- ComfortClean dishwasher-safe grates
- GasStop – Should the flame be temporarily extinguished, the cooktop will stop the supply of gas

SPECIFICATIONS

KM 3010 G - Item 26301050USA

KM 3010 LP - Item 26301051USA

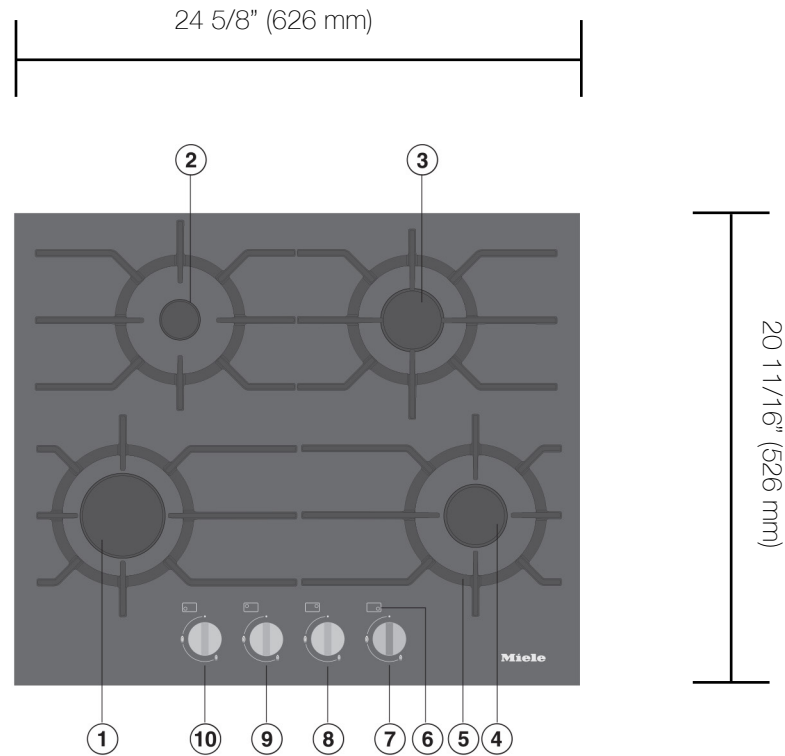
| | |
|--|---|
| Unit Width | 24 ⁵ / ₈ " (626 mm) |
| Unit Height (To Gas Connection) | 2 ¹³ / ₁₆ " (71 mm) |
| Unit Depth | 20 ¹¹ / ₁₆ " (526 mm) |
| Niche Dimensions | |
| Cut-out Dimensions | 22 ¹ / ₁₆ " (560 mm) W x 19 ⁵ / ₁₆ " (490 mm) D |
| Minimum Back Spacing From Wall | 2" (50 mm) |
| Minimum Countertop Thickness | 1 ¹ / ₈ " (29 mm) |
| Minimum Recommended distance to ventilation hood | 30" (760 mm) |
| Gas Burners | |
| Auxiliary Burner | 3,750 BTU (G), 3,300 BTU (LP) |
| Normal Burner | 5,800 BTU (G), 6,400 BTU (LP) |
| High-Speed Burner | 9,300 BTU (G), 9,800 BTU (LP) |
| Total Maximum BTU Output | 24,650 BTU (G), 25,900 BTU (LP) |
| Gas | |
| Gas Connection | 1/2" NPT |
| Maximum Gas Supply Pressure | Natural Gas - 14" WC (34.9 mb), 1/2 psi (3.5 kPa) LP Gas - 14" WC (34.9 mb), 1/2 psi (3.5 kPa) |
| Minimum Gas Supply Pressure | Natural Gas - 6" WC (15 mb) LP Gas - 10" WC (25 mb) |
| Electrical | |
| Electrical Requirements | 120 V, 60 Hz, 15 A |
| Power Cord | NEMA 5-15P, 4 ft (1.2 m) |
| Shipping | |
| Shipping Weight | 40 lbs (18 kg) |
| Shipping Dimensions | 29 ¹ / ₈ " W x 8 ⁵ / ₈ " H x 25 ¹ / ₂ " D |
| Support | |
| Call | 800.843.7231 |
| Miele Website | www.mieleusa.com |
| 20/20 Link | 2020technologies.com |

24" 4-Burner Gas on Glass Cooktop KM 3010 G/LP



PRODUCT VIEWS

Top View



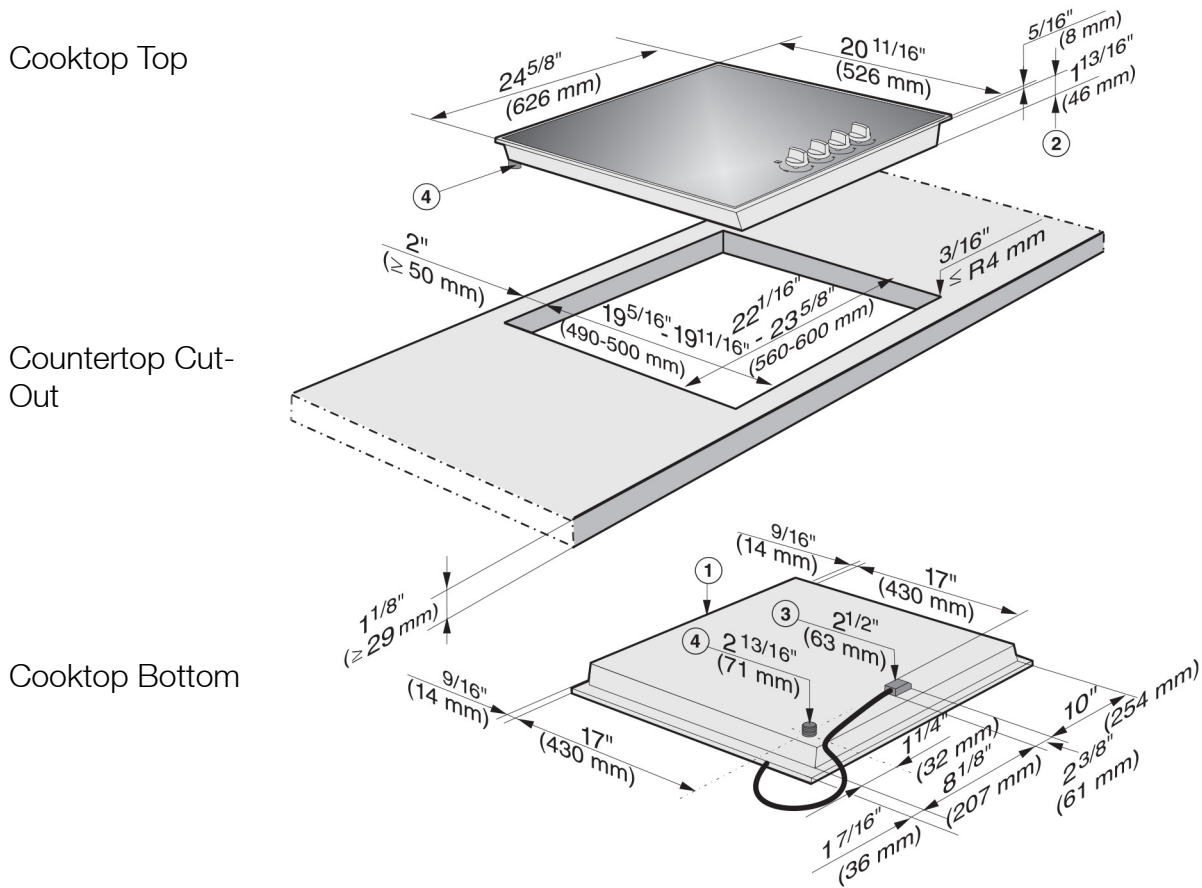
- ① Fast burner
- ② Auxiliary burner
- ③④ Normal burners
- ⑤ Grates
- ⑥ Burner symbols

- Control knobs:
- ⑦ Front right burner
 - ⑧ Right rear burner
 - ⑨ Left rear burner
 - ⑩ Front left burner

24" 4-Burner Gas on Glass Cooktop KM 3010 G/LP



INSTALLATION DIMENSIONS



- ① Appliance front
- ② Installation height
- ③ Power supply box with connection cable L = 4 ft (1.2 m)
- ④ Gas connection

24" 4-Burner Gas on Glass Cooktop KM 3010 G/LP



KM 3010 G/LP GAS ON GLASS COOKTOP INSTALLATION IN COMBINATION WITH UNDERCOUNTER 30" MIELE OVEN H6x80BP

Countertop Thickness vs. Toekick Height

Taken into consideration:

- 34¹/₂" tall cabinetry
- Gas pressure regulator mounted on back wall or in adjacent cabinetry
- 90 degree street elbow used on bottom of cooktop
- 1/4" of cooktop above countertop (proud)
- 3/4" (exact) platform thickness under oven/above toekick

| | | Toekick Height | | | | | | | | | | |
|-------------------------|-------------------------------|-------------------------------|-------------------------------|----|-------------------------------|-------------------------------|-------------------------------|----|-------------------------------|-------------------------------|----|----|
| | | 3 ¹ / ₂ | 3 ³ / ₄ | 4 | 4 ¹ / ₄ | 4 ¹ / ₂ | 4 ³ / ₄ | 5 | 5 ¹ / ₄ | 5 ³ / ₄ | 6 | |
| Countertop Thickness | 1 ¹ / ₈ | OK | NA | NA | NA | NA | NA | NA | NA | NA | NA | NA |
| | 1 ¹ / ₄ | OK | OK | NA | NA | NA | NA | NA | NA | NA | NA | NA |
| | 1 ¹ / ₂ | OK | OK | OK | NA | NA | NA | NA | NA | NA | NA | NA |
| | 1 ³ / ₄ | OK | OK | OK | OK | NA | NA | NA | NA | NA | NA | NA |
| | 2 | OK | OK | OK | OK | OK | NA | NA | NA | NA | NA | NA |
| | 2 ¹ / ₄ | OK | OK | OK | OK | OK | OK | NA | NA | NA | NA | NA |

 = Typical Installation