

# 36" 5-Burner Gas on Glass Cooktop

KM 3054 G/LP



# 36" 5-Burner Gas on Glass Cooktop KM 3054 G/LP



## KM 3054 G/LP

### Features:

- 5 sealed burners (max output):
  - (1) 16,500 BTU Super (Wok) burner
  - (1) 9,300 BTU High-speed burner
  - (2) 5,800 BTU Normal burners
  - (1) 3,750 BTU Auxiliary/Simmer burner
- 'Gas on Glass' design for easy cleanability
- Center control panel with stainless steel knobs
- QuickStart – No need to press or hold the control: convenient rotary electronic controls switch burners on
- GasStop & Restart – Automatic re-ignition should the flame go out. If unsuccessful, the gas supply is turned off immediately for safety
- Indicator lights
- Timer
- ComfortClean dishwasher-safe grates

### SPECIFICATIONS

**KM 3054 G** - Item 26305450USA

**KM 3054 LP** - Item 26305451USA

Unit Width 37<sup>1</sup>/<sub>16</sub>" (942 mm)

Unit Height (To Gas Connection) 2<sup>13</sup>/<sub>16</sub>" (71 mm)

Unit Depth 20<sup>1</sup>/<sub>16</sub>" (526 mm)

#### Niche Dimensions

Cut-out Dimensions 36<sup>1</sup>/<sub>16</sub>" (916 mm) W x 19<sup>5</sup>/<sub>16</sub>" (490 mm) D

Minimum Back Spacing From Wall 2" (50 mm)

Minimum Countertop Thickness 1<sup>1</sup>/<sub>8</sub>" (29 mm)

Minimum Recommended distance to ventilation hood 30" (760 mm)

#### Gas Burners

Auxiliary Burner 3,750 BTU (G), 3,300 BTU (LP)

Normal Burner 5,800 BTU (G), 6,400 BTU (LP)

High-Speed Burner 9,300 BTU (G), 9,800 BTU (LP)

Wok Burner 16,500 BTU (G), 15,000 BTU (LP)

Total Maximum BTU Output 41,150 BTU (G), 40,900 BTU (LP)

#### Gas

Gas Connection 1/2" NPT

Maximum Gas Supply Pressure Natural Gas - 14" WC (34.9 mb), 1/2 psi (3.5 kPa)  
LP Gas - 14" WC (34.9 mb), 1/2 psi (3.5 kPa)

Minimum Gas Supply Pressure Natural Gas - 6" WC (15 mb)  
LP Gas - 10" WC (25 mb)

#### Electrical

Electrical Requirements 120 V, 60 Hz, 15 A

Power Cord NEMA 5-15P, 4 ft (1.2 m)

#### Shipping

Shipping Weight 54 lbs (24.5 kg)

Shipping Dimensions 41<sup>3</sup>/<sub>8</sub>" W x 8<sup>5</sup>/<sub>8</sub>" H x 25<sup>1</sup>/<sub>2</sub>" D

#### Support

Call 800.843.7231

Miele Website [www.mieleusa.com](http://www.mieleusa.com)

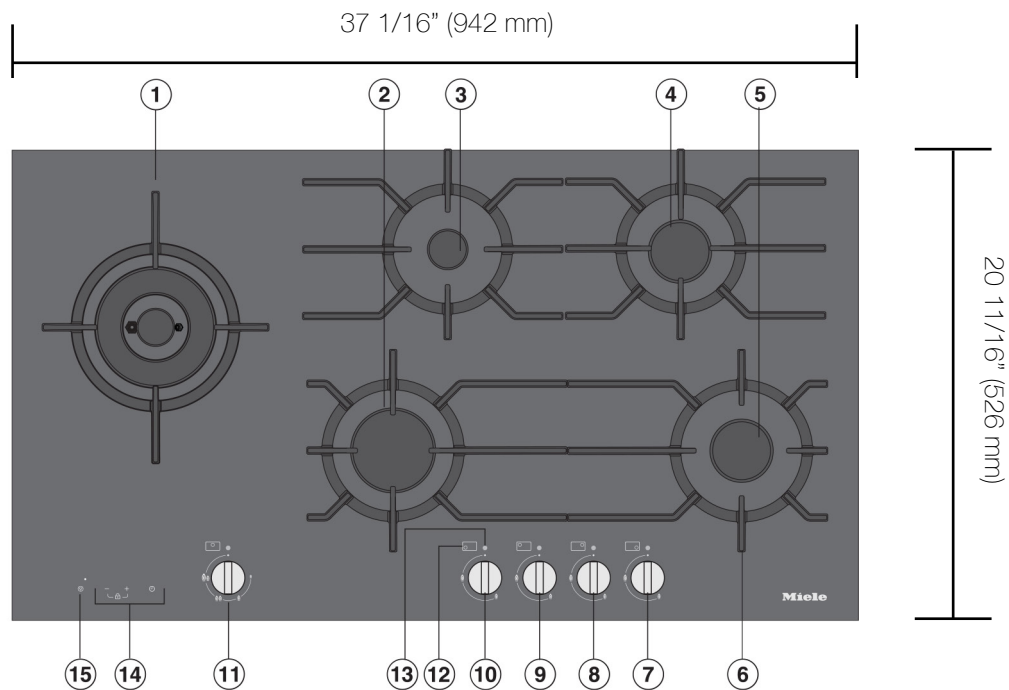
20/20 Link [2020technologies.com](http://2020technologies.com)

# 36" 5-Burner Gas on Glass Cooktop KM 3054 G/LP



## PRODUCT VIEWS

Top View

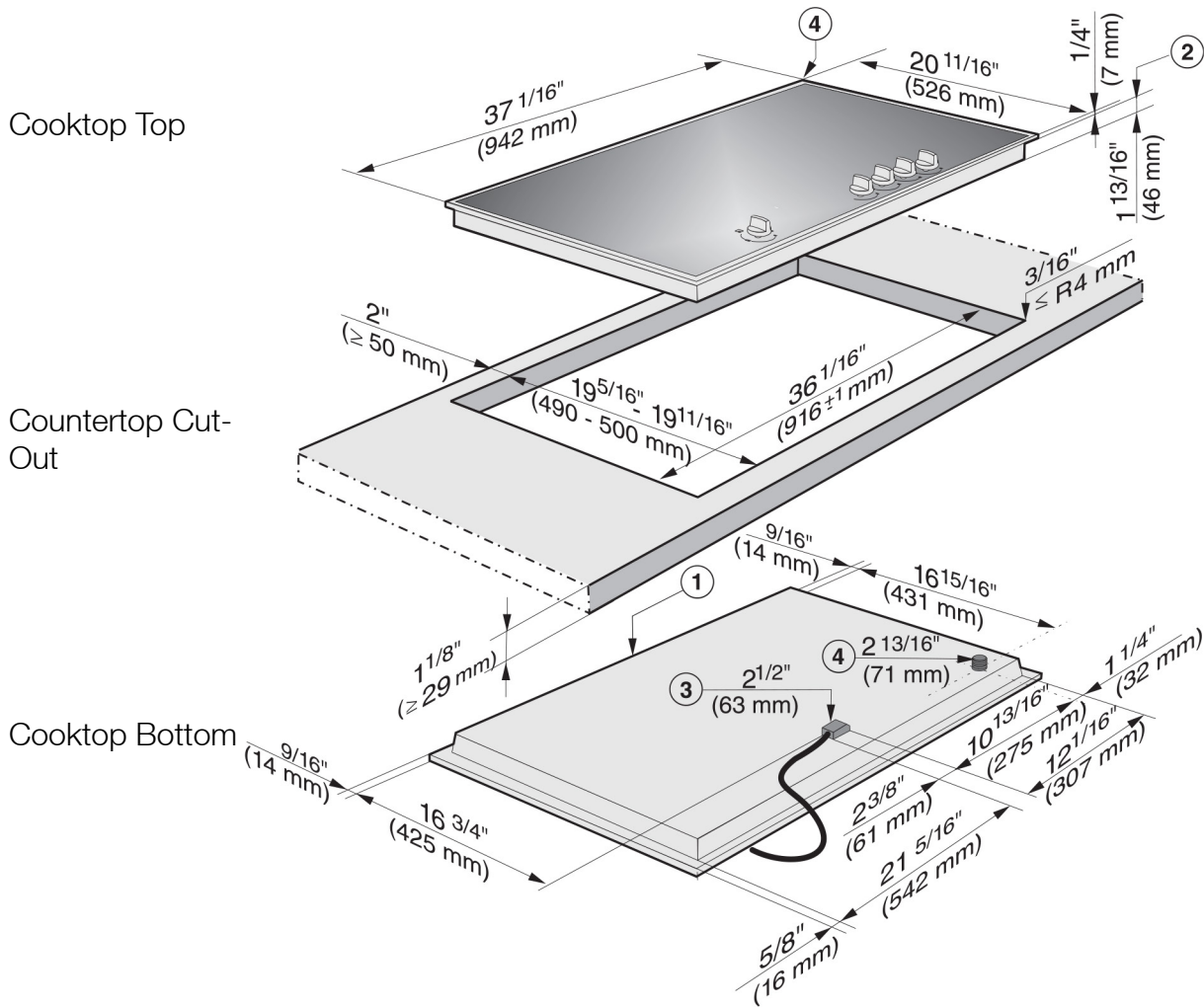


- ① Wok burner
- ② Fast burner
- ③ Auxiliary burner
- ④ ⑤ Normal burner
- ⑥ Grates (for each burner)
- ⑦ Front right burner
- ⑧ Rear right burner
- ⑨ Rear left burner
- ⑩ Front left burner
- ⑪ Left burner
- ⑫ Burner symbol
- ⑬ Operating/Residual heat indicator
- ⑭ Timer
- ⑮ Quick switch-off

# 36" 5-Burner Gas on Glass Cooktop KM 3054 G/LP



## INSTALLATION DIMENSIONS



- ① Appliance front
- ② Installation height
- ③ Power supply box with connection cable L = 4 ft (1.2 m)
- ④ Gas connection

# 36" 5-Burner Gas on Glass Cooktop KM 3054 G/LP



## KM 3054 G/LP GAS ON GLASS COOKTOP INSTALLATION IN COMBINATION WITH UNDERCOUNTER 30" MIELE OVEN H6x80BP

### Countertop Thickness vs. Toekick Height

Taken into consideration:

- 34<sup>1</sup>/<sub>2</sub>" tall cabinetry
- Gas pressure regulator mounted on back wall or in adjacent cabinetry
- 90 degree street elbow used on bottom of cooktop
- 1/4" of cooktop above countertop (proud)
- 3/4" (exact) platform thickness under oven/above toekick

		Toekick Height										
		3 <sup>1</sup> / <sub>2</sub>	3 <sup>3</sup> / <sub>4</sub>	4	4 <sup>1</sup> / <sub>4</sub>	4 <sup>1</sup> / <sub>2</sub>	4 <sup>3</sup> / <sub>4</sub>	5	5 <sup>1</sup> / <sub>4</sub>	5 <sup>3</sup> / <sub>4</sub>	6	
Countertop Thickness	1 <sup>1</sup> / <sub>8</sub>	OK	NA	NA	NA	NA	NA	NA	NA	NA	NA	NA
	1 <sup>1</sup> / <sub>4</sub>	OK	OK	NA	NA	NA	NA	NA	NA	NA	NA	NA
	1 <sup>1</sup> / <sub>2</sub>	OK	OK	OK	NA	NA	NA	NA	NA	NA	NA	NA
	1 <sup>3</sup> / <sub>4</sub>	OK	OK	OK	OK	NA	NA	NA	NA	NA	NA	NA
	2	OK	OK	OK	OK	OK	NA	NA	NA	NA	NA	NA
	2 <sup>1</sup> / <sub>4</sub>	OK	OK	OK	OK	OK	OK	NA	NA	NA	NA	NA

 = Typical Installation