

30" 4-Burner Gas Cooktop

KM 3465 G/LP



30" 4-Burner Gas Cooktop

KM 3465 G/LP



KM 3465 G/LP

Features:

- 4 completely sealed burners:
 - (1) 15,300 BTU Double inset super (wok) burner
 - (1) 12,000 BTU Super burner
 - (2) 9,000 BTU High-speed burners
- Side control panel
- Stainless steel knobs
- Fast ignition system
- Ignition safety control
- Wok ring included

SPECIFICATIONS

KM 3465 G - Item# 26346550USA

KM 3465 LP - Item# 26346551USA

Unit Width 30" (762 mm)

Unit Height (To Gas Connection) 3¹/₄" (83 mm)

Unit Depth 21⁵/₁₆" (542 mm)

Niche Dimensions

Cut-Out Dimensions 28³/₈" (720 mm) W x 20³/₈" (518 mm) D

Minimum Back Spacing From Wall 2³/₄" (70 mm)

Minimum Countertop Thickness 1³/₁₆" (20 mm)

Minimum Recommended Distance to Ventilation Hood 30" (760 mm)

Gas Burners

High-Speed Burner (2) 9,000 BTU (G/LP)

Super Burner (1) 12,000 BTU (G/LP)

Wok Burner (Front Left) (1) 15,300 BTU (G/LP)

Total Maximum BTU Output 45,300 BTU (G/LP)

Gas

Gas Connection 1/2" NPT

Maximum Gas Supply Pressure Natural Gas - 14" WC (34.9 mb), 1/2 psi (3.5 kPa)
LP Gas - 14" WC (34.9 mb), 1/2 psi (3.5 kPa)

Minimum Gas Supply Pressure Natural Gas - 6" WC (15 mb)
LP Gas - 10" WC (25 mb)

Electrical

Electrical Requirements 120 V, 60 Hz, 15 A

Power Cord NEMA 5-15P, 4 ft (1.2 m)

Shipping

Shipping Weight 50 lbs (22.7 kg)

Shipping Dimensions 23⁵/₈" W x 7⁷/₈" H x 32⁵/₁₆" D

Support

Call 800.843.7231

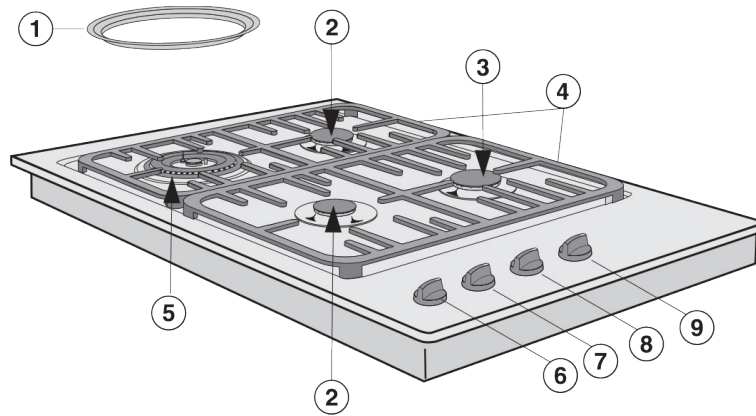
Miele Website www.mieleusa.com

20/20 Link 2020technologies.com

30" 4-Burner Gas Cooktop KM 3465 G/LP



PRODUCT OVERVIEW



- ① Wok ring
- ② Normal burners
- ③ Fast burner
- ④ Grates
(Design depends on model)
- ⑤ Wok burner

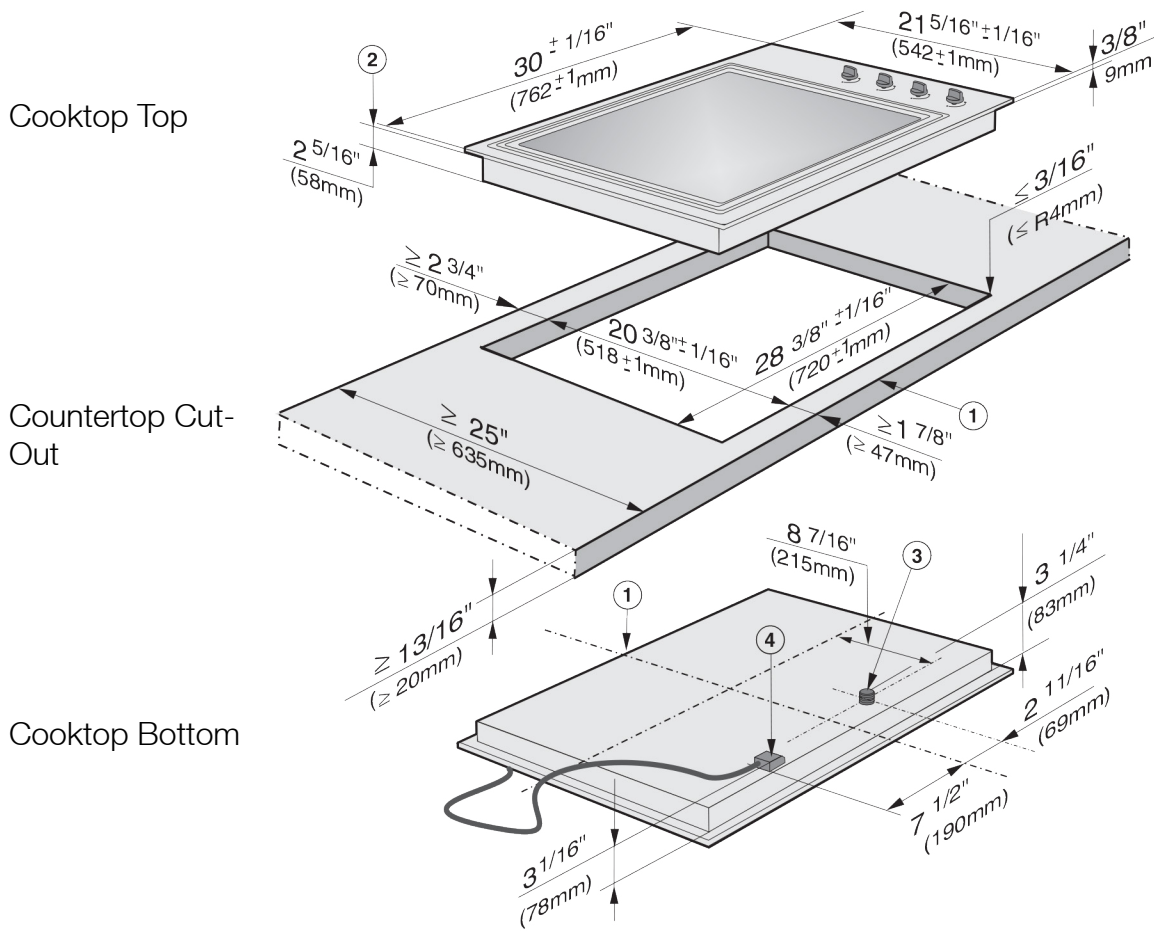
Control knobs:

- ⑥ Front left burner
- ⑦ Front right burner
- ⑧ Right rear burner
- ⑨ Left rear burner

30" 4-Burner Gas Cooktop KM 3465 G/LP



INSTALLATION DIMENSIONS



- ① Front
- ② Built-in depth
- ③ Gas connection R $\frac{1}{2}$ " NPT
- ④ Mains connection box

30" 4-Burner Gas Cooktop KM 3465 G/LP



KM 3465 G/LP GAS COOKTOP INSTALLATION IN COMBINATION WITH UNDERCOUNTER 30" MIELE OVEN H6x80BP

Countertop Thickness vs. Toekick Height

Taken into consideration:

- 35" tall cabinetry
- Gas pressure regulator mounted on back wall or in adjacent cabinetry
- 90 degree street elbow used on bottom of cooktop
- $\frac{3}{8}$ " of cooktop above countertop (proud)
- $\frac{3}{4}$ " (exact) platform thickness under oven/above toekick

		Toekick Height (Inches)										
		$3\frac{1}{2}$	$3\frac{3}{4}$	4	$4\frac{1}{4}$	$4\frac{1}{2}$	$4\frac{3}{4}$	5	$5\frac{1}{4}$	$5\frac{3}{4}$	6	
Countertop Thickness (Inches)	$\frac{13}{16}$	NA	NA	NA	NA	NA	NA	NA	NA	NA	NA	NA
	1	NA	NA	NA	NA	NA	NA	NA	NA	NA	NA	NA
	$1\frac{1}{4}$	OK	NA	NA	NA	NA	NA	NA	NA	NA	NA	NA
	$1\frac{1}{2}$	OK	OK	NA	NA	NA	NA	NA	NA	NA	NA	NA
	$1\frac{3}{4}$	OK	OK	OK	NA	NA	NA	NA	NA	NA	NA	NA
	2	OK	OK	OK	OK	NA	NA	NA	NA	NA	NA	NA

 = Standard Kitchen