

36" 5-Burner Gas Cooktop

KM 3475 G/LP



36" 5-Burner Gas Cooktop

KM 3475 G/LP



KM 3475 G/LP

Features:

- 5 completely sealed burners:
 - (2) 15,300 BTU Double inset super (wok) burners
 - (1) 12,000 BTU Super burner
 - (2) 9,000 BTU High-speed burners
- Center control panel
- Stainless steel knobs
- Fast ignition system
- Ignition safety control
- Wok ring included

SPECIFICATIONS

KM 3475 G - Item# 26347550USA

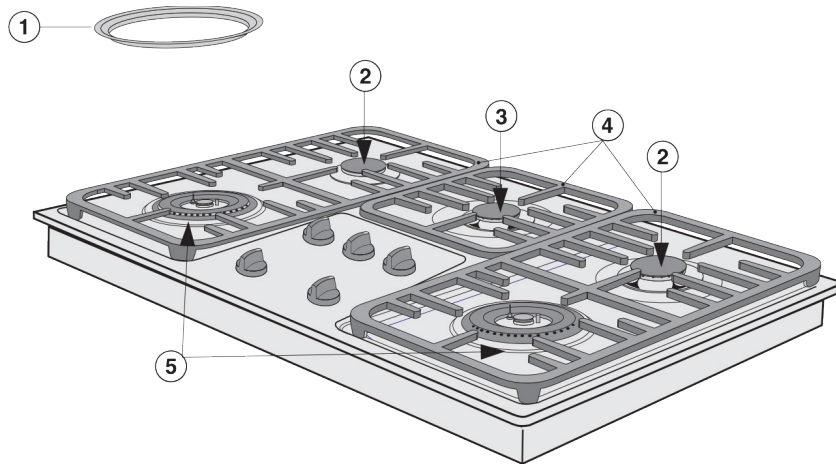
KM 3475 LP - Item# 26347551USA

Unit Width	36" (914 mm)
Unit Height	3 ³ / ₈ " (86 mm)
Unit Depth	21 ⁵ / ₁₆ " (542 mm)
Niche Dimensions	
Cut-Out Dimensions	35" (889 mm) W x 20 ³ / ₈ " (518 mm) D
Minimum Back Spacing From Wall	2 ³ / ₄ " (70 mm)
Minimum Countertop Thickness	1 ³ / ₈ " (20 mm)
Minimum Recommended distance to Ventilation Hood	30" (760 mm)
Gas Burners	
High-Speed Burner	(2) 9,000 BTU (G/LP)
Super Burner	(1) 12,000 BTU (G/LP)
Wok Burner	(2) 15,300 BTU (G/LP)
Total Maximum BTU Output	60,600 BTU (G/LP)
Gas	
Gas Connection	1/2" NPT
Maximum Gas Supply Pressure	Natural Gas - 14" WC (34.9 mb), 1/2 psi (3.5 kPa) LP Gas - 14" WC (34.9 mb), 1/2 psi (3.5 kPa)
Minimum Gas Supply Pressure	Natural Gas - 6" WC (15 mb) LP Gas - 10" WC (25 mb)
Electrical	
Electrical Requirements	120 V, 60 Hz, 15 A
Power Cord	NEMA 5-15P, 4 ft (1.2 m)
Shipping	
Shipping Weight	64 lbs (29 kg)
Shipping Dimensions	23 ⁵ / ₈ " W x 7 ⁷ / ₈ " H x 39 ³ / ₈ " D
Support	
Call	800.843.7231
Miele Website	www.mieleusa.com
20/20 Link	2020technologies.com

36" 5-Burner Gas Cooktop KM 3475 G/LP



PRODUCT OVERVIEW



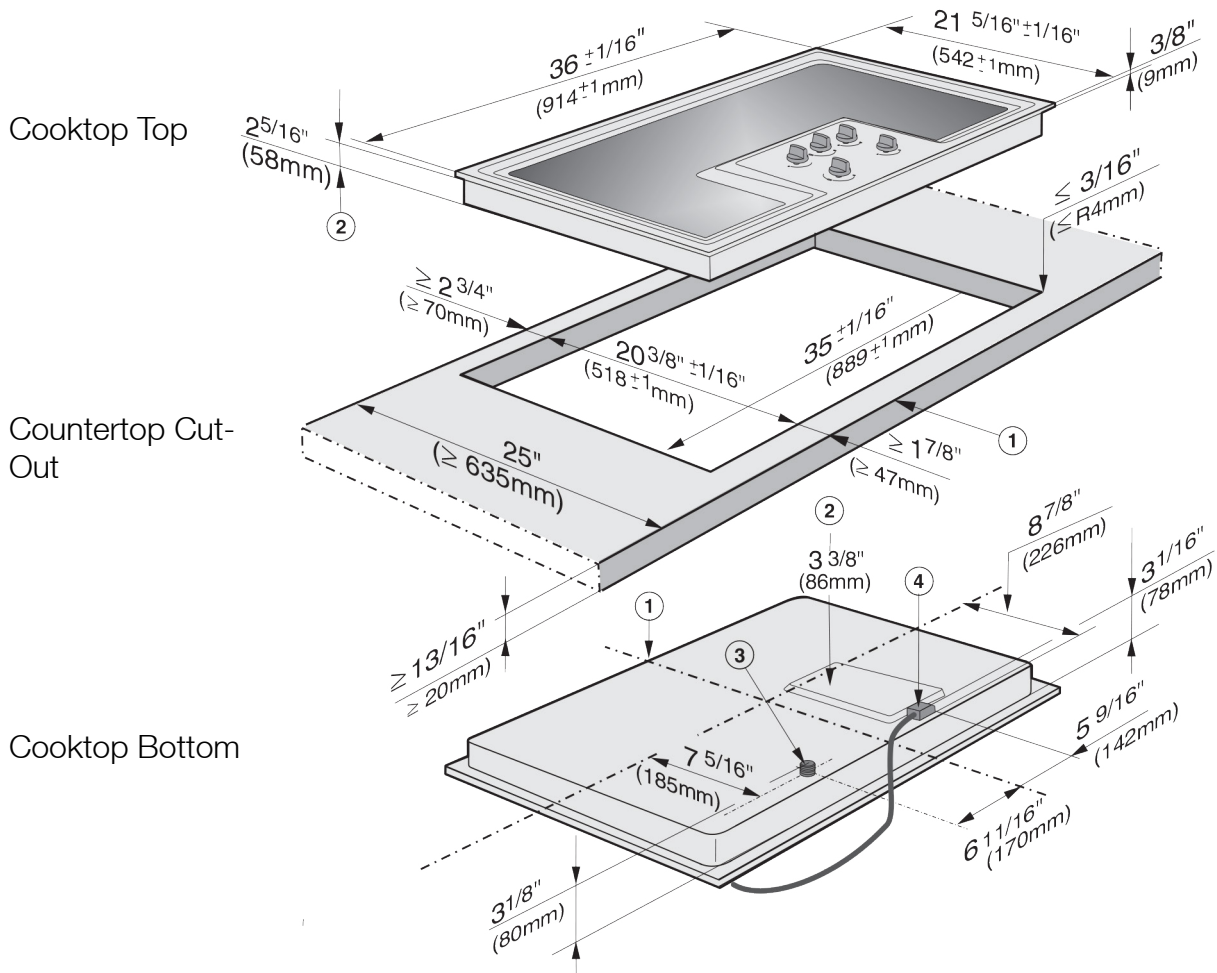
- ① Wok ring
- ② Normal burners
- ③ Fast burner
- ④ Grates
(Design depends on model)
- ⑤ Wok burners

The layout of the control knobs corresponds with the layout of the burners.

36" 5-Burner Gas Cooktop KM 3475 G/LP



INSTALLATION DIMENSIONS



- ① Front
- ② Built-in depth
- ③ Gas connection R 1/2" NPT
- ④ Mains connection box

36" 5-Burner Gas Cooktop KM 3475 G/LP



KM 3475 G/LP GAS COOKTOP INSTALLATION IN COMBINATION WITH UNDERCOUNTER 30" MIELE OVEN H6x80BP

Countertop Thickness vs. Toekick Height

Taken into consideration:

- 35" tall cabinetry
- Gas pressure regulator mounted on back wall or in adjacent cabinetry
- 90 degree street elbow used on bottom of cooktop
- $\frac{3}{8}$ " of cooktop above countertop (proud)
- $\frac{3}{4}$ " (exact) platform thickness under oven/above toekick

		Toekick Height (Inches)										
		$3\frac{1}{2}$	$3\frac{3}{4}$	4	$4\frac{1}{4}$	$4\frac{1}{2}$	$4\frac{3}{4}$	5	$5\frac{1}{4}$	$5\frac{3}{4}$	6	
Countertop Thickness (Inches)	$\frac{13}{16}$	NA	NA	NA	NA	NA	NA	NA	NA	NA	NA	NA
	1	OK	NA	NA	NA	NA	NA	NA	NA	NA	NA	NA
	$1\frac{1}{4}$	OK	OK	NA	NA	NA	NA	NA	NA	NA	NA	NA
	$1\frac{1}{2}$	OK	OK	OK	NA	NA	NA	NA	NA	NA	NA	NA
	$1\frac{3}{4}$	OK	OK	OK	OK	NA	NA	NA	NA	NA	NA	NA
	2	OK	OK	OK	OK	OK	NA	NA	NA	NA	NA	NA

 = Standard Kitchen