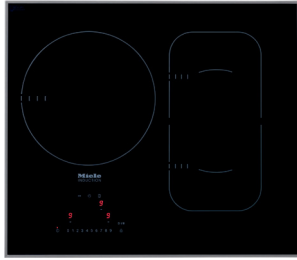


# 24" Induction Cooktop

KM 6320



# 24" Induction Cooktop KM 6320



## Features:

- 3 cooking zones
  - (1) vario zone of 7-11"
  - (2) vario zones of 6-9"
- (1) PowerFlex zone — PowerFlex technology combines two zones into a unique large zone (9x15"), up to 7,7kW
- TwinBooster function
- Con@ctivity 2.0 — communication between cooktop and hood
- Direct Selection controls, default power level 1-9, extended 1-12
- Stop&Go function
- Auto heat-up
- Pan size recognition
- Timer
- Overheating protection
- Child safety lock and safety switch-off

## SPECIFICATIONS

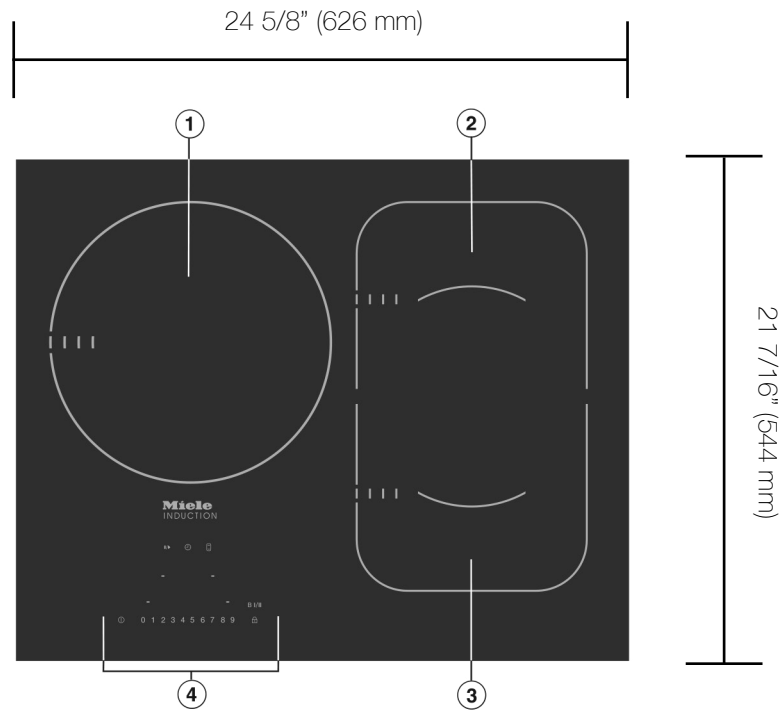
SPECIFICATIONS	
<b>KM 6320 Induction Cooktop</b>	<b>Item 26632052USA</b>
Product Dimensions	24 <sup>5</sup> / <sub>8</sub> " (626 mm) W x 4 <sup>3</sup> / <sub>4</sub> " (121 mm) H x 21 <sup>7</sup> / <sub>16</sub> " (544 mm) D
Cut-out Dimensions	22 <sup>5</sup> / <sub>16</sub> " (567 mm) W x 20 <sup>3</sup> / <sub>8</sub> " (518 mm) D
Minimum Back Spacing From Wall	2" (50 mm)
Minimum Countertop Thickness	1 <sup>1</sup> / <sub>8</sub> " (29 mm)
Maximum Countertop Thickness	1 <sup>9</sup> / <sub>16</sub> " (40 mm)
Minimum Recommended distance to ventilation hood	24" (610 mm)
<b>Electrical</b>	
Electrical Requirements	208V, 60Hz, 40 Amps, 6700W 240V, 60Hz, 40 Amps, 7700W
Power Cable	3' 11 <sup>1</sup> / <sub>4</sub> " (1.2 m)
<b>Shipping</b>	
Shipping Weight	44.6 lbs
Shipping Dimensions	28 <sup>7</sup> / <sub>32</sub> " W x 7 <sup>9</sup> / <sub>32</sub> " H x 26 <sup>21</sup> / <sub>32</sub> " D
<b>Support</b>	
Call Miele	800.843.7231
Miele Website	<a href="http://www.mieleusa.com">www.mieleusa.com</a>
20/20 Link	<a href="http://2020technologies.com">2020technologies.com</a>

# 24" Induction Cooktop KM 6320



## PRODUCT VIEWS

Top View

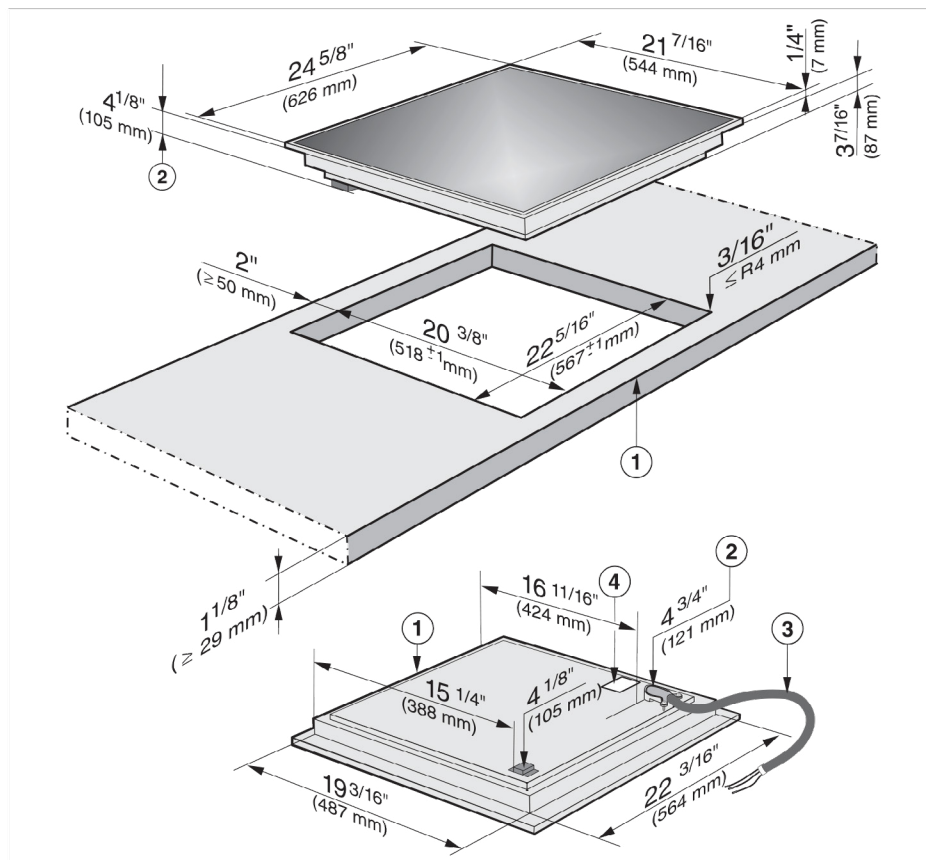


- ① Cooking zone with TwinBooster
- ② PowerFlex cooking zone with TwinBooster
- ③ PowerFlex cooking zone with TwinBooster
- ②③ can be combined to form PowerFlex cooking area
- ④ DirectSelection controls

# 24" Induction Cooktop KM 6320



## INSTALLATION DIMENSIONS

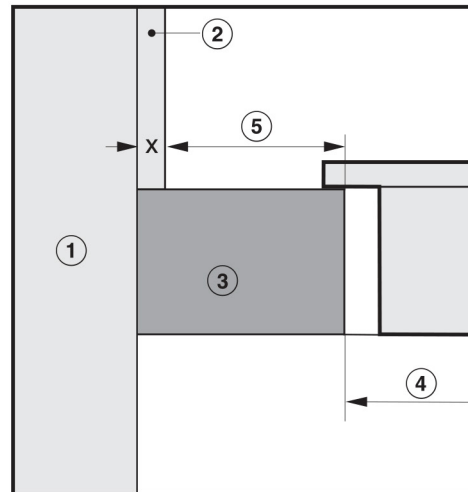


- ① Front
- ② Installation height
- ③ Flexible metal hose with power cord, L = 3' 11 $\frac{1}{4}$ " (1200 mm)
- ④ Data plate

## INSTALLATION SAFETY CLEARANCE

Front Side View  
Proud Mount

### Framed cooktops



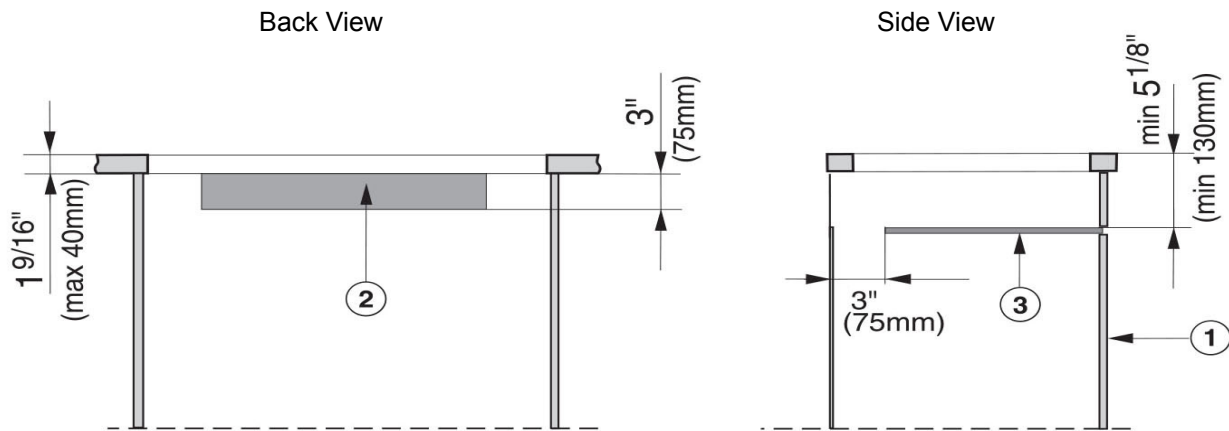
- ① Wall frame
- ② Wall covering dimension  $x$  = thickness of the niche cladding
- ③ Countertop
- ④ Countertop cut-out
- ⑤ Minimum distance for  
**flammable** materials 2" (50 mm).  
**non-flammable** materials 2" (50 mm) - dimension  $x$

# 24" Induction Cooktop KM 6320



## INSTALLATION

### Ventilation



- ① Front of cooktop
- ② Cut-out (57sq-in.) in cabinet for ventilation.  
Shown as an example in the rear wall of the cabinet. Measurements: 19" x 3"  
(482 x 72 mm)
- ③ Protective base  
Installation of a protective base under the cooktop is allowed but not required.  
If a protective base is fitted, there must be a clearance of at least  $5\frac{1}{8}$ "  
(130 mm) between the top of the protective base and the top of the countertop,  
for proper ventilation of the cooktop.  
At the back there has to be a gap of 3" (75 mm) for the power cord.

# 24" Induction Cooktop KM 6320



## KM 6320 INDUCTION COOKTOP INSTALLATION IN COMBINATION WITH UNDERCOUNTER 30" MIELE OVEN H6x80BP

### Countertop Thickness vs. Toekick Height

Taken into consideration:

- 34 $\frac{1}{2}$ " tall cabinetry
- $\frac{1}{4}$ " of cooktop above countertop (proud)
- $\frac{3}{4}$ " (exact) platform thickness under oven/above toekick

		Toekick Height										
		3 $\frac{1}{2}$	3 $\frac{3}{4}$	4	4 $\frac{1}{4}$	4 $\frac{1}{2}$	4 $\frac{3}{4}$	5	5 $\frac{1}{4}$	5 $\frac{3}{4}$	6	
Countertop Thickness	1 $\frac{1}{8}$	OK	OK	NA	NA	NA	NA	NA	NA	NA	NA	NA
	1 $\frac{1}{4}$	OK	OK	OK	NA	NA	NA	NA	NA	NA	NA	NA
	1 $\frac{3}{8}$	OK	OK	OK	NA	NA	NA	NA	NA	NA	NA	NA
	1 $\frac{1}{2}$	OK	OK	OK	OK	NA	NA	NA	NA	NA	NA	NA
	1 $\frac{9}{16}$	OK	OK	OK	OK	NA	NA	NA	NA	NA	NA	NA

 = Typical Installation