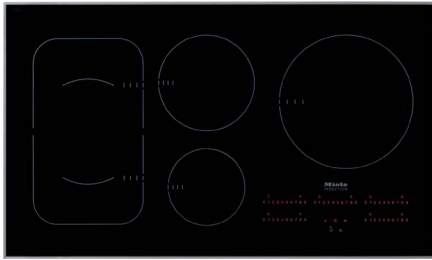


36" Induction Cooktop

KM 6370



36" Induction Cooktop KM 6370



Features:

- 5 cooking zones
 - (1) vario zone of 4-6"
 - (1) vario zone of 5¹/₂-8"
 - (2) vario zones of 6-9"
 - (1) vario zone of 7-11"
- (1) PowerFlex zone — PowerFlex technology combines two zones into a unique large zone (9x15"), up to 7,7kW
- TwinBooster function
- Con@ctivity 2.0 — communication between cooktop and hood
- Direct Selection Plus controls, default power level 1-9, extended 1-12
- Stop&Go function
- Keeping Warm function
- Auto heat-up
- Pan size recognition
- Timer
- Overheating protection
- Child safety lock and safety switch-off

SPECIFICATIONS

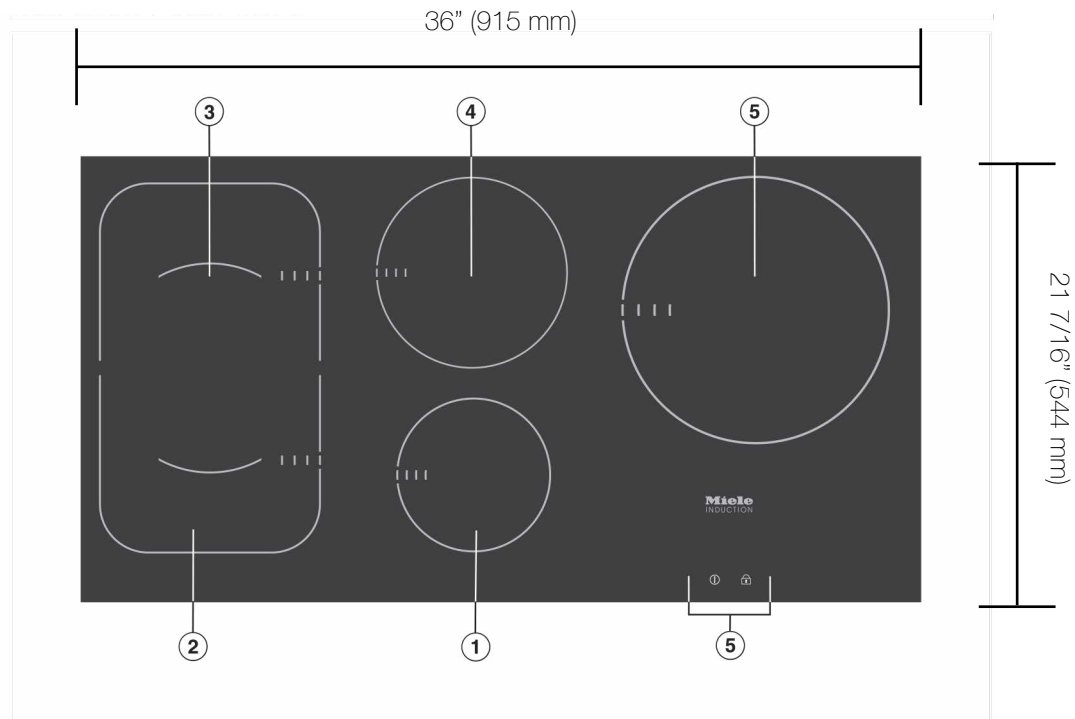
KM 6370 Induction Cooktop		Item 26637052USA
Product Dimensions	36" (915 mm) W x 4 ³ / ₄ " (121 mm) H x 21 ⁷ / ₁₆ " (544 mm) D	
Cut-out Dimensions	34 ¹ / ₂ " (876 mm) W x 20 ³ / ₈ " (518 mm) D	
Minimum Back Spacing From Wall	2" (50 mm)	
Minimum Countertop Thickness	1 ¹ / ₈ " (29 mm)	
Maximum Countertop Thickness	1 ⁹ / ₁₆ " (40 mm)	
Minimum Recommended distance to ventilation hood	24" (611 mm)	
Electrical		
Electrical Requirements	208V, 60Hz, 50 Amps, 10,000W 240V, 60Hz, 50 Amps, 11,500W	
Power Cable	3' 11 ¹ / ₄ " (1.2 m)	
Shipping		
Shipping Weight	65.41 lbs	
Shipping Dimensions	40 ⁵ / ₁₆ " W x 7 ⁹ / ₃₂ " H x 26 ²¹ / ₃₂ " D	
Support		
Call	800.843.7231	
Miele Website	www.mieleusa.com	
20/20 Link	2020technologies.com	

36" Induction Cooktop KM 6370



PRODUCT VIEWS

Top View

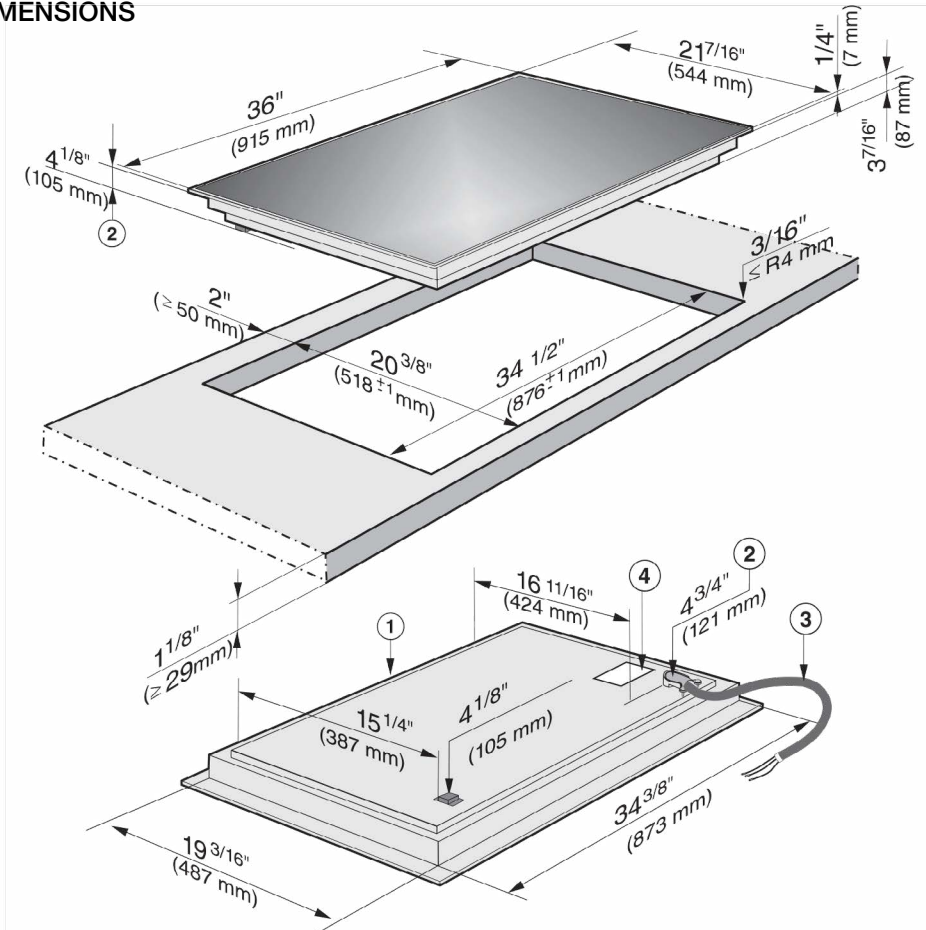


- ① Cooking zone with Booster
- ② PowerFlex cooking zone with TwinBooster
- ③ PowerFlex cooking zone with TwinBooster
- ②③ can be combined to form PowerFlex cooking zone
- ④ Cooking zone with Booster
- ⑤ Cooking zone with TwinBooster
- ⑥ DirectSelection Plus controls

36" Induction Cooktop KM 6370



INSTALLATION DIMENSIONS



- ① Front
- ② Installation height
- ③ Flexible metal hose with power cord L = 3' 11 1/4" (1200 mm)
- ④ Data plate

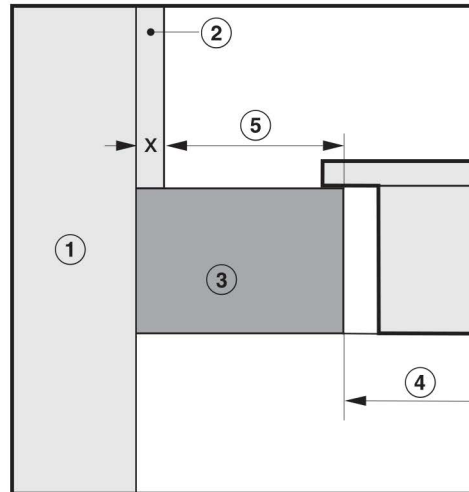
36" Induction Cooktop KM 6370



INSTALLATION SAFETY CLEARANCE

Front Side View
Proud Mount

Framed cooktops



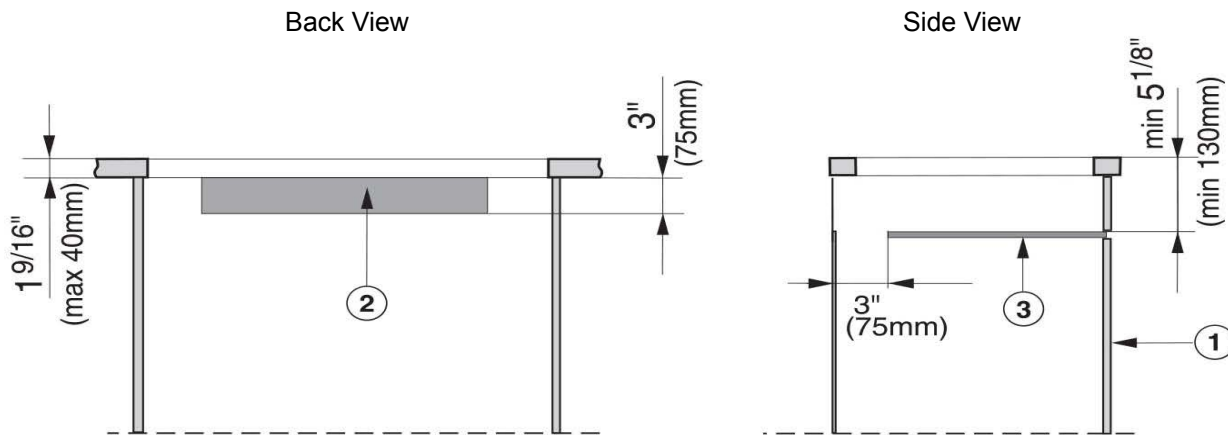
- ① Wall frame
- ② Wall covering dimension x = thickness of the niche cladding
- ③ Countertop
- ④ Countertop cut-out
- ⑤ Minimum distance for
flammable materials 2" (50 mm).
non-flammable materials 2" (50 mm) - dimension x

36" Induction Cooktop KM 6370



INSTALLATION

Ventilations



- ① Front of cooktop
- ② Cut-out in cabinet for ventilation.
Shown as an example in the rear wall of the cabinet.
- ③ Protective base
Installation of a protective base under the cooktop is allowed but not required.
If a protective base is fitted, there must be a clearance of at least $5\frac{1}{8}$ " (130 mm) between the top of the protective base and the top of the countertop, for proper ventilation of the cooktop.
At the back there has to be a gap of 3" (75 mm) for the power cord.

Cooktop	Measurements cut-out
KM 6370 / KM 6375	90 sq-in. Example: 30" x 3" (762 x 75mm)

36" Induction Cooktop KM 6370



KM 6370 INDUCTION COOKTOP INSTALLATION IN COMBINATION WITH UNDERCOUNTER 30" MIELE OVEN H6x80BP

Countertop Thickness vs. Toekick Height

Taken into consideration:

- 34 1/2" tall cabinetry
- 1/4" of cooktop above countertop (proud)
- 3/4" (exact) platform thickness under oven/above toekick

		Toekick Height										
		3 1/2	3 3/4	4	4 1/4	4 1/2	4 3/4	5	5 1/4	5 3/4	6	
Countertop Thickness	1 1/8	OK	OK	NA	NA	NA	NA	NA	NA	NA	NA	NA
	1 1/4	OK	OK	OK	NA	NA	NA	NA	NA	NA	NA	NA
	1 3/8	OK	OK	OK	NA	NA	NA	NA	NA	NA	NA	NA
	1 1/2	OK	OK	OK	OK	NA	NA	NA	NA	NA	NA	NA
	1 9/16	OK	OK	OK	OK	NA	NA	NA	NA	NA	NA	NA

 = Typical Installation