

## 24" 4-Burner Gas Cooktop

KM 360 G/LP



# 24" 4-Burner Gas Cooktop

## KM 360 G/LP



### KM 360 G/LP

#### Features:

- 4 sealed burners (max output):
  - (1) 10,200 BTU High-speed burner
  - (2) 6,000 BTU Normal burners
  - (1) 3,400 BTU Auxiliary/Simmer burner
- Front control panel with stainless steel knobs
- QuickStart – No need to press or hold the control: convenient rotary electronic controls switch burners on
- GasStop & Restart – Automatic re-ignition should the flame go out. If unsuccessful, the gas supply is turned off immediately for safety

#### SPECIFICATIONS

**KM 360 G** - Item 26360050USA

**KM 360 LP** - Item 26360051USA

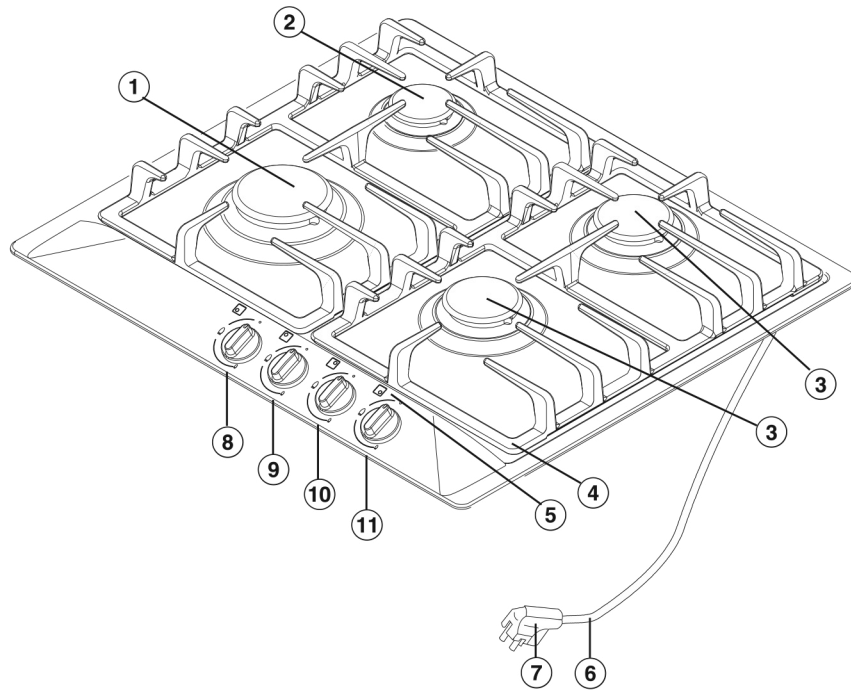
Unit Width	23 <sup>1</sup> / <sub>16</sub> " (585 mm)
Unit Height (To Electric Connection)	3" (76 mm)
Unit Depth	20 <sup>1</sup> / <sub>4</sub> " (515 mm)
<b>Niche Dimensions</b>	
Cut-out Dimensions	22 <sup>1</sup> / <sub>16</sub> " (560 mm) W x 19 <sup>5</sup> / <sub>16</sub> " (490 mm) D
Minimum Back Spacing From Wall	2 <sup>3</sup> / <sub>4</sub> " (70 mm)
Minimum Countertop Thickness	1 <sup>3</sup> / <sub>16</sub> " (30 mm)
Minimum Recommended distance to ventilation hood	30" (760 mm)
<b>Gas Burners Maximum Output</b>	
Auxiliary Burner	3,400 BTU (G/LP)
Normal Burner	6,000 BTU (G/LP)
High-Speed Burner	10,200 BTU (G/LP)
Total Maximum BTU Output	25,600 BTU (G/LP)
<b>Gas</b>	
Gas Connection	1/2" NPT
Maximum Gas Supply Pressure	Natural Gas - 14" WC (34.9 mb), 1/2 psi (3.5 kPa) LP Gas - 14" WC (34.9 mb), 1/2 psi (3.5 kPa)
Minimum Gas Supply Pressure	Natural Gas - 6" WC (15 mb) LP Gas - 10" WC (25 mb)
<b>Electrical</b>	
Electrical Requirements	120 V, 60 Hz, 15 A
Power Cord	NEMA 5-15P, 4 ft (1.2 m)
<b>Shipping</b>	
Shipping Weight	32.5 lbs (14.7 kg)
Shipping Dimensions	26" W x 6 <sup>5</sup> / <sub>16</sub> " H x 23 <sup>5</sup> / <sub>8</sub> " D
<b>Support</b>	
Call	800.843.7231
Miele Website	<a href="http://www.mieleusa.com">www.mieleusa.com</a>
20/20 Link	<a href="http://2020technologies.com">2020technologies.com</a>

# 24" 4-Burner Gas Cooktop KM 360 G/LP



## PRODUCT VIEWS

Top View



- ① Fast burner
- ② Auxiliary burner
- ③ Normal burners
- ④ Grates
- ⑤ Burner symbols
- ⑥ Power cord
- ⑦ Plug

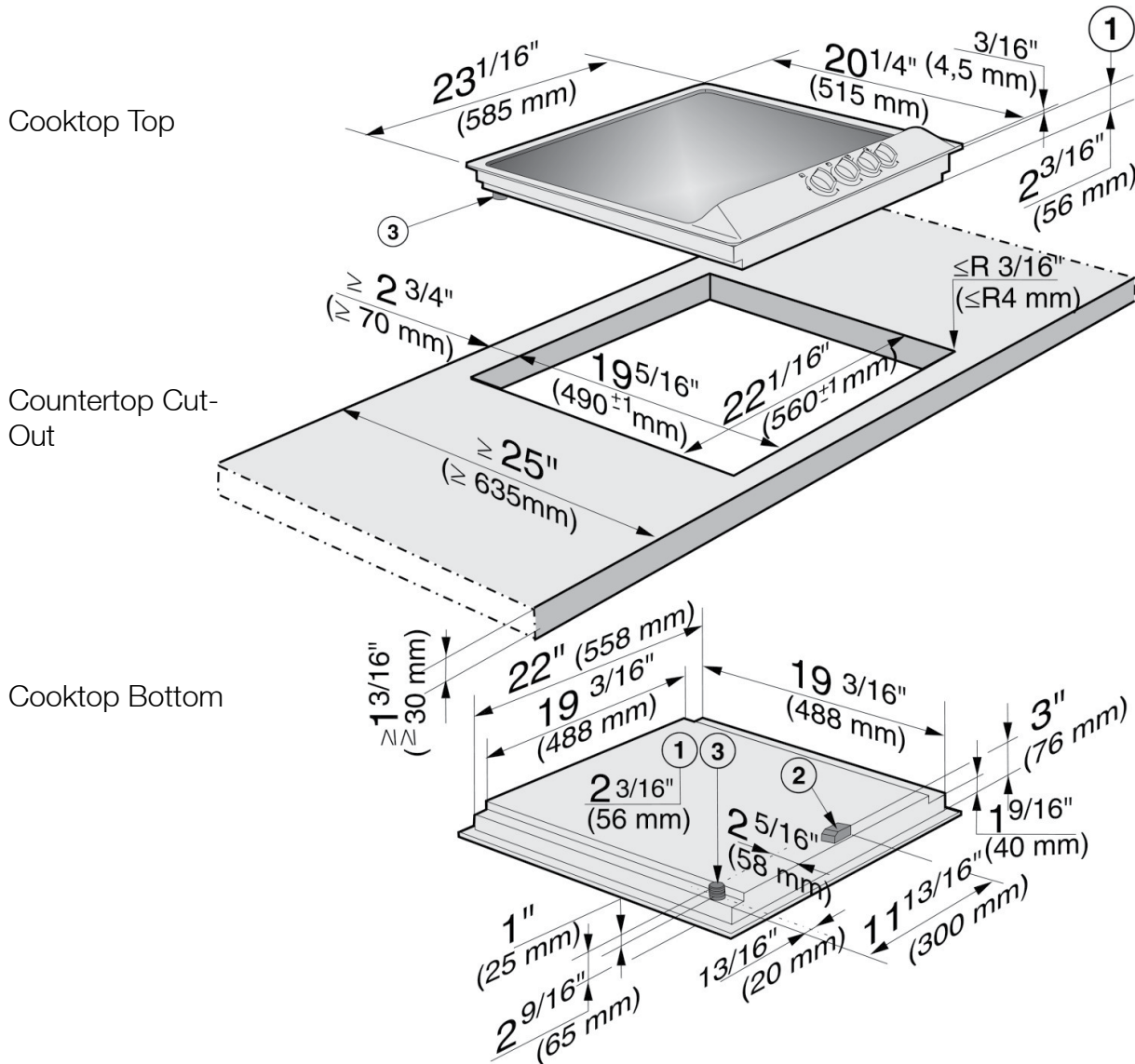
### Control Knobs

- ⑧ front left
- ⑨ rear left
- ⑩ rear right
- ⑪ front right

# 24" 4-Burner Gas Cooktop KM 360 G/LP



## INSTALLATION DIMENSIONS



- ① Built in depth
- ② Electrical connection box
- ③ Gas connection R  $\frac{1}{2}"$  NPT

- Remember to maintain the minimum safety distances to combustible surfaces:
  - $2\frac{3}{4}"$  (70 mm) between the cut-out and the back wall and
  - 12" (305 mm) between the cut-out and a side wall or tall unit to the right or left of the cut-out.
 (See "Important Safety instructions").

# 24" 4-Burner Gas Cooktop KM 360 G/LP



## KM 360 G/LP GAS COOKTOP INSTALLATION IN COMBINATION WITH UNDERCOUNTER 24" MIELE OVEN H6x60B/BP

### Countertop Thickness vs. Toekick Height

Taken into consideration:

- 34<sup>1</sup>/<sub>2</sub>" tall cabinetry
- Gas pressure regulator mounted on back wall or in adjacent cabinetry
- 90 degree street elbow used on bottom of cooktop
- <sup>3</sup>/<sub>16</sub>" of cooktop above countertop (proud)
- <sup>3</sup>/<sub>4</sub>" (exact) platform thickness under oven/above toekick

		Toekick Height										
		3 <sup>1</sup> / <sub>2</sub>	3 <sup>3</sup> / <sub>4</sub>	4	4 <sup>1</sup> / <sub>4</sub>	4 <sup>1</sup> / <sub>2</sub>	4 <sup>3</sup> / <sub>4</sub>	5	5 <sup>1</sup> / <sub>4</sub>	5 <sup>3</sup> / <sub>4</sub>	6	
Countertop Thickness	1 <sup>3</sup> / <sub>16</sub>	OK	OK	OK	OK	OK	OK	OK	OK	OK	OK	OK
	1 <sup>1</sup> / <sub>4</sub>	OK	OK	OK	OK	OK	OK	OK	OK	OK	OK	OK
	1 <sup>1</sup> / <sub>2</sub>	OK	OK	OK	OK	OK	OK	OK	OK	OK	OK	OK
	1 <sup>3</sup> / <sub>4</sub>	OK	OK	OK	OK	OK	OK	OK	OK	OK	OK	OK
	2	OK	OK	OK	OK	OK	OK	OK	OK	OK	OK	OK
	2 <sup>1</sup> / <sub>4</sub>	OK	OK	OK	OK	OK	OK	OK	OK	OK	OK	OK

 = Typical Installation