

Miele

Built-In
18" Freezer with In-door Dispenser

F 1473 SF



Built-In 18" Freezer with In-door Dispenser F 1473 SF



F 1473 SF

Features:

- MasterCool controls
- ClearView lighting system
- Drop and Lock Shelves
- SmartFresh storage drawers
- FullView storage drawers
- In door Ice/Water dispenser
- RemoteVision capable
- Acoustic door and temperature alarm
- Optical door and temperature alarm
- Energy Star

SPECIFICATIONS

F 1473 SF — Item 37147311USA - Left Hinged

Overall Unit Width - Excluding Fascia Dimension	17 ³ / ₄ " (451 mm)
Overall Unit Height - Excluding Fascia Dimension	84" (2134 mm)
Overall Unit Depth - Excluding Fascia Dimension	24" (610 mm)
Overall Fascia Dimensions	18 ¹ / ₂ " (470 mm) W x 84 ¹ / ₂ " (2146 mm) H x 3 ³ / ₄ " (19 mm) D
Niche	
Minimum Cabinet Opening Width	18" (457 mm)
Minimum Cabinet Opening Height	84" (2134 mm)
Minimum Cabinet Opening Depth	24" (610 mm)
Interior Volume	
Freezer Volume	7.58 cu-ft (214.6 L)
Plumbing	
Water Supply Requirements	Connect to a cold water supply only. Do not connect to a low-mineral or a reverse osmosis system. Must be connected to a shut-off valve. The water shut-off valve must be accessible after installation. The water pressure must be between 25 psi (1.7 bar) and may not exceed 80 psi (5.5 bar). If the pressure is higher than 80 psi (5.5 bar), a pressure reducing valve must be installed.
Water Connection Line	Standard 1/4" O.D flexible water line needed. The maximum outer diameter of the water pipe (without fittings): 3/8" (10 mm). Water line is not included.
Electrical	
Electrical Requirements - Volts/Amps	110V / 120V, 60Hz, 15 Amps In the case of side-by-side installations, a separate outlet must be used for each appliance.
Power Cord - Plug and length	NEMA 5-15 plug, 5 ft (1.52 m)
Shipping	
Shipping Weight	329.5 lbs (149.5 kg)
Shipping Dimensions	21 ¹ / ₄ " W x 89 ³ / ₄ " H x 29 ¹ / ₈ " D
Support	
Call Miele	(800) 999-1360
Miele Website	🌐www.mieleusa.com
20/20 Link	🌐2020technologies.com

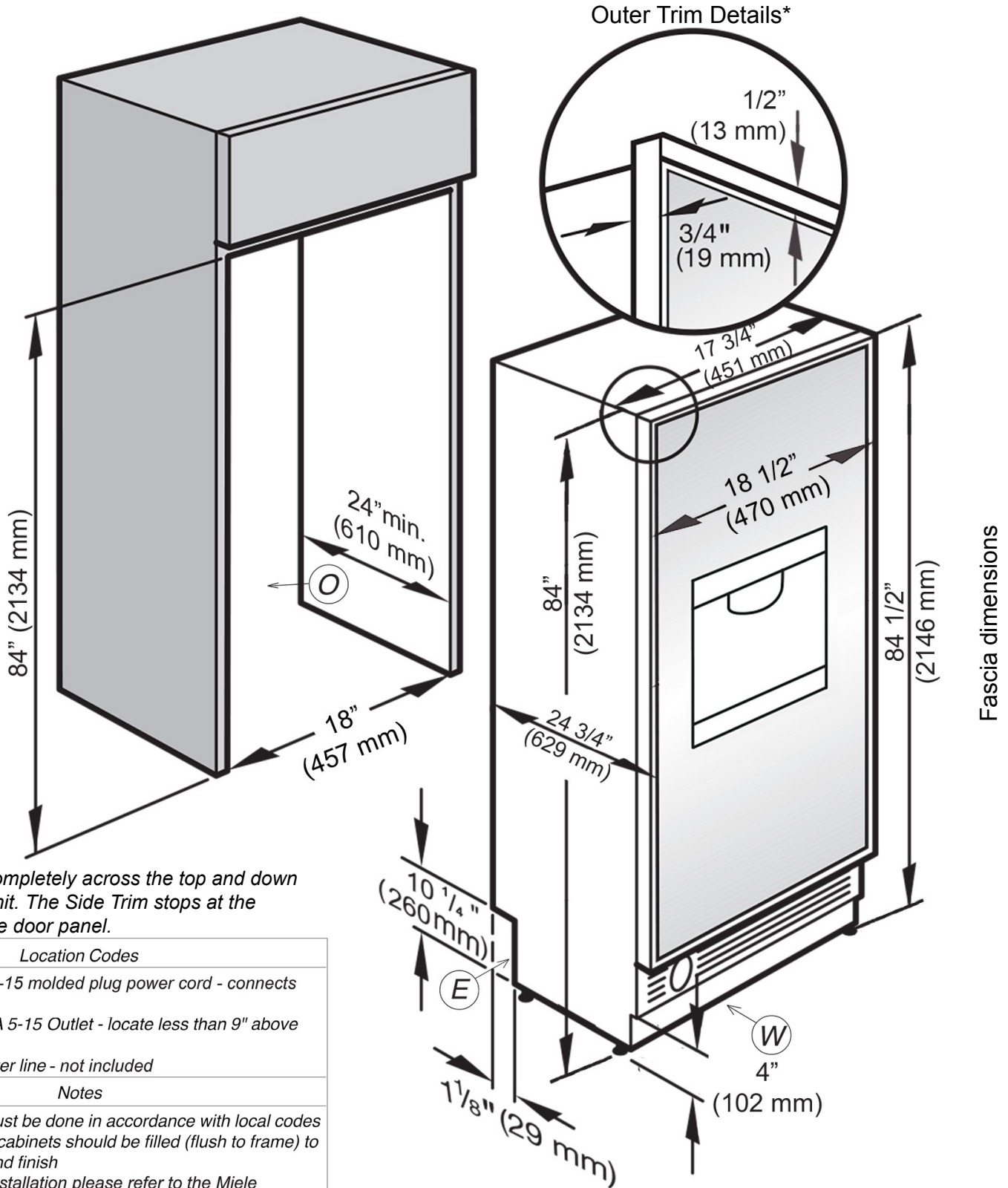
Please note the following:

- This specification sheet is for a single built-in unit.
- When combining multiple MasterCool units side-by-side, please refer to the Merging Kit specification sheet.

*If design calls for a partition less than 6 ⁵/₁₆" (160 mm) the left unit's cutout will require an additional ¹/₈" (3 mm) to the width to allow installation of the Heating Mat/Merge Kit.

Built-In 18" Freezer with In-door Dispenser F 1473 SF

FOR PROUD INSTALLATION



* Outer Trim runs completely across the top and down the sides of the unit. The Side Trim stops at the bottom edge of the door panel.

Location Codes

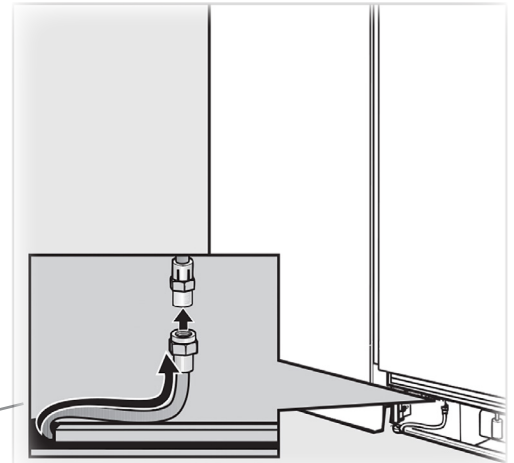
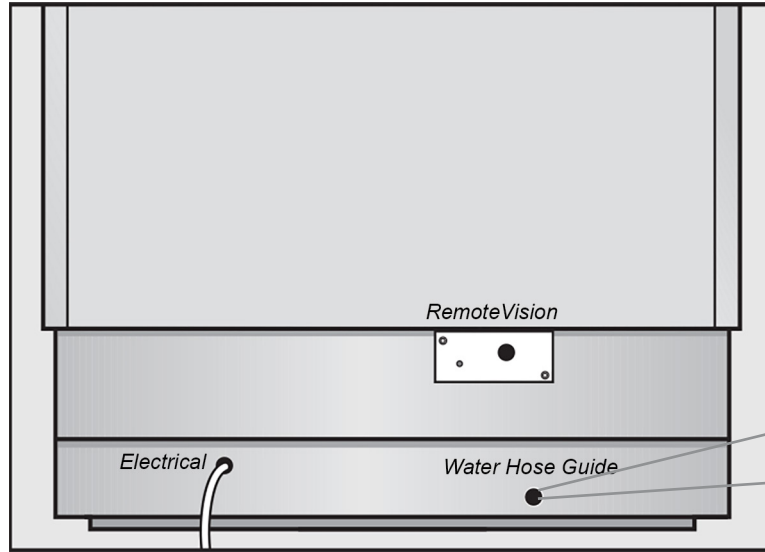
- E - 5 foot - Nema 5-15 molded plug power cord - connects lower left rear
- O - Standard NEMA 5-15 Outlet - locate less than 9" above finished floor
- W - 1/4" flexible water line - not included

Notes

- All Installations must be done in accordance with local codes
- Sides of adjoining cabinets should be filled (flush to frame) to insure proper fit and finish
- For side-by-side installation please refer to the Miele merging kit specification sheet - Some merge kits will require the location of the Electrical outlet(s) to be in adjacent cabinetry
- If design calls for a partition less than 6 5/16" (160 mm) the left unit's cutout will require an additional 1/8" (3 mm) to the width to allow installation of the Heating Mat.

Built-In 18" Freezer with In-door Dispenser F 1473 SF

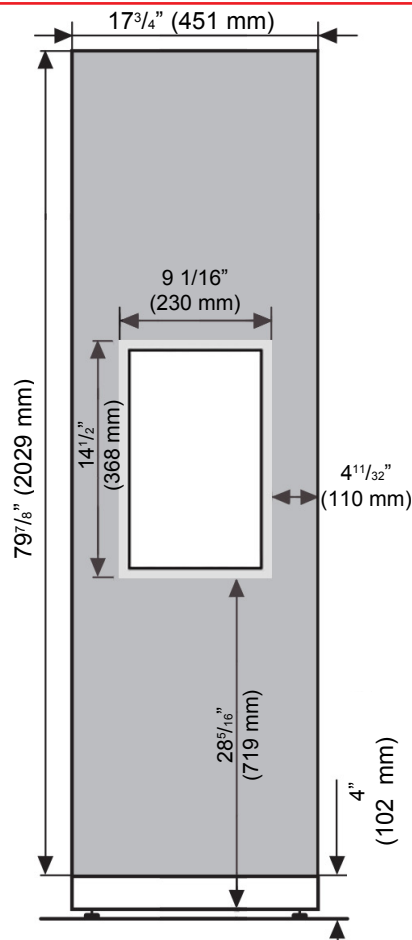
POWER SUPPLY AND WATER CONNECTION BACK VIEW



Water connection is located in front of unit.
1/4" compression fitting is needed.

Electrical - 5 foot (1.52 m) - 120 Volt - 15 Amp - NEMA 5-15 molded plug
Water line - 1/4" flexible water line - not included

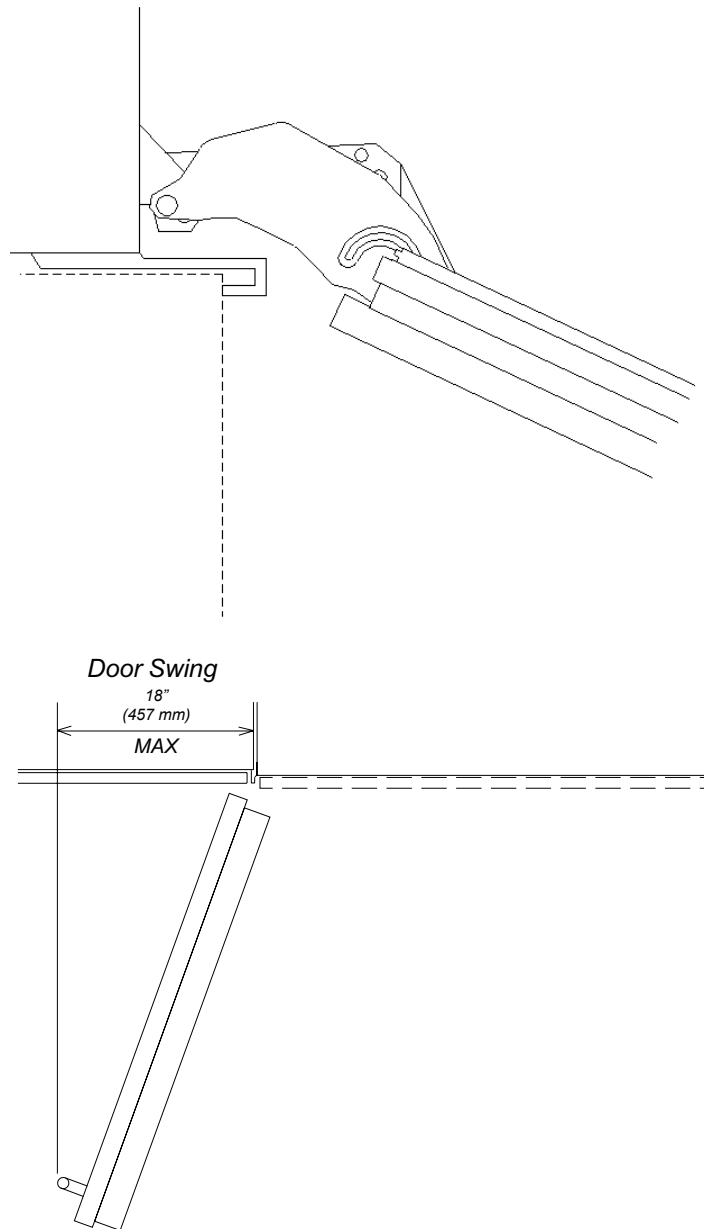
DOOR PANEL DIMENSIONS WITHOUT OUTER TRIM DIMENSIONS



Built-In 18" Freezer with In-door Dispenser F 1473 SF

HINGING DETAILS

115° Door



NOTE: Additional space needed depending on the thickness of front panels and handle used.
Freezer units cannot be stop pinned at 90°