

Miele

Built-In
30" Freezer

F 1813 SF / F 1803 SF



Built-In 30" Freezer F 1813 SF / F 1803 SF



F 1813 SF / F 1803 SF

Features:

- MasterCool controls
- ClearView lighting system
- Drop and Lock Shelves
- SmartFresh storage drawers
- FullView storage drawers
- Ice maker
- RemoteVision capable
- Acoustic door and temperature alarm
- Optical door and temperature alarm
- Energy Star

SPECIFICATIONS

F 1803 SF — Item 37180311USA - Right Hinged

F 1813 SF — Item 37181311USA - Left Hinged

Overall Unit Width - Excluding Fascia Dimension 29³/₄" (756 mm)

Overall Unit Height - Excluding Fascia Dimension 84" (2134 mm)

Overall Unit Depth - Excluding Fascia Dimension 24" (610 mm)

Overall Fascia Dimensions 30¹/₂" (775 mm) W x 84¹/₂" (2146 mm) H
x 3³/₄" (19 mm) D

Niche

Minimum Cabinet Opening Width 30" (762 mm)

Minimum Cabinet Opening Height 84" (2134 mm)

Minimum Cabinet Opening Depth 24" (610 mm)

Interior Volume

Freezer Volume 15.62 cu-ft (442.3 L)

Plumbing

Water Supply Requirements

Connect to a cold water supply only. Do not connect to a low-mineral or a reverse osmosis system. Must be connected to a shut-off valve. The water shut-off valve must be accessible after installation. The water pressure must be between 25 psi (1.7 bar) and may not exceed 80 psi (5.5 bar). If the pressure is higher than 80 psi (5.5 bar), a pressure reducing valve must be installed.

Water Connection Line

Standard 1/4" O.D flexible water line needed. The maximum outer diameter of the water pipe (without fittings): 3/8" (10 mm). Water line is not included.

Electrical

Electrical Requirements - Volts/Amps

110V / 120V, 60Hz, 15 Amps
In the case of side-by-side installations, a separate outlet must be used for each appliance.

Power Cord - Plug and length

NEMA 5-15 plug, 5 ft (1.52 m)

Shipping

Shipping Weight

470 lbs (213 kg)

Shipping Dimensions

33⁵/₈" W x 89³/₄" H x 29¹/₄" D

Support

Call Miele

(800) 999-1360

Miele Website

www.mieleusa.com

20/20 Link

2020technologies.com

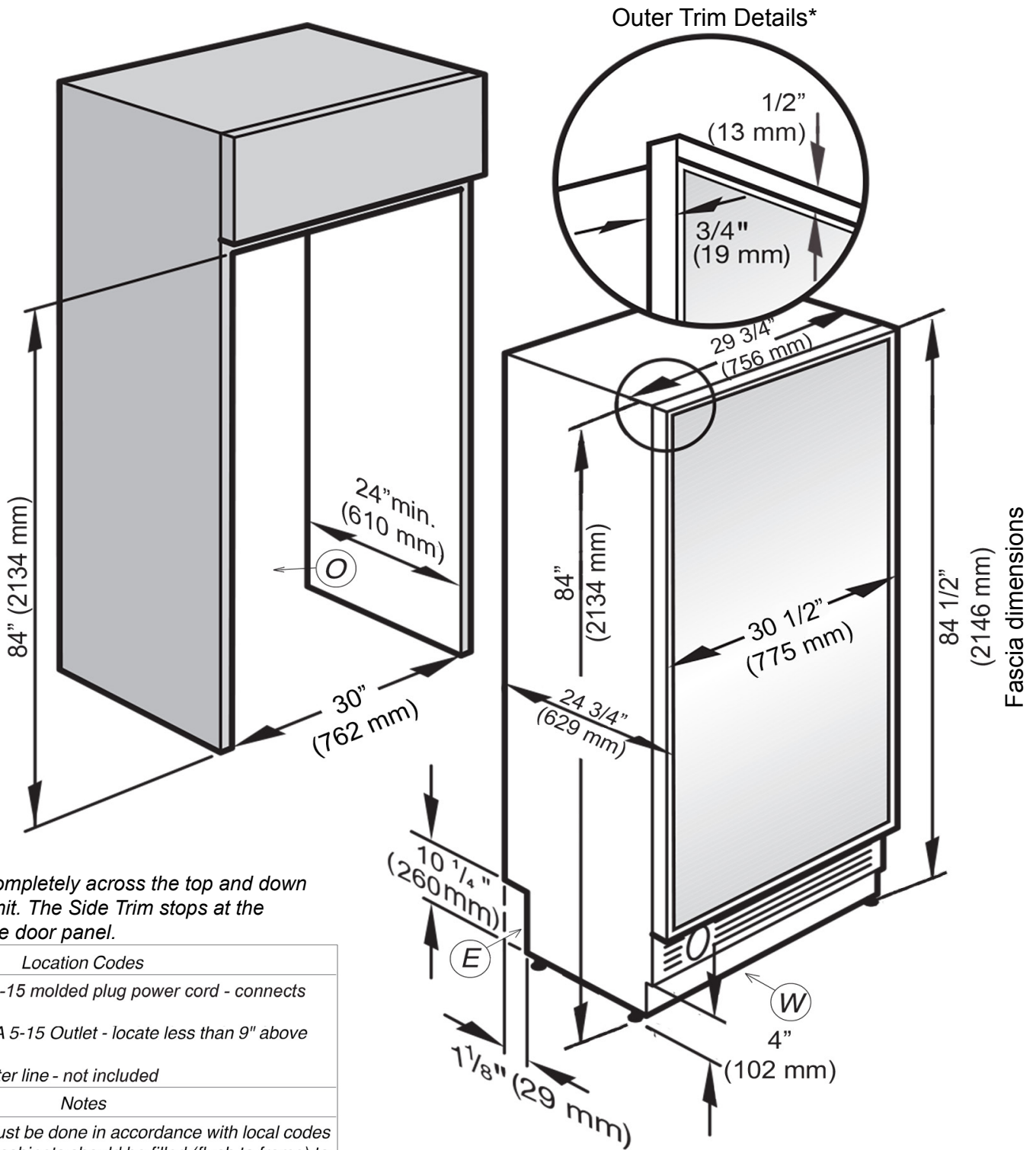
Please note the following:

- This specification sheet is for a single built-in unit.
- When combining multiple MasterCool units side-by-side, please refer to the Merging Kit specification sheet.

*If design calls for a partition less than 6 ⁵/₁₆" (160 mm) the left unit's cutout will require an additional ¹/₈" (3 mm) to the width to allow installation of the Heating Mat/Merge Kit.

Built-In 30" Freezer
F 1813 SF / F 1803 SF

FOR PROUD INSTALLATION



* Outer Trim runs completely across the top and down the sides of the unit. The Side Trim stops at the bottom edge of the door panel.

Location Codes

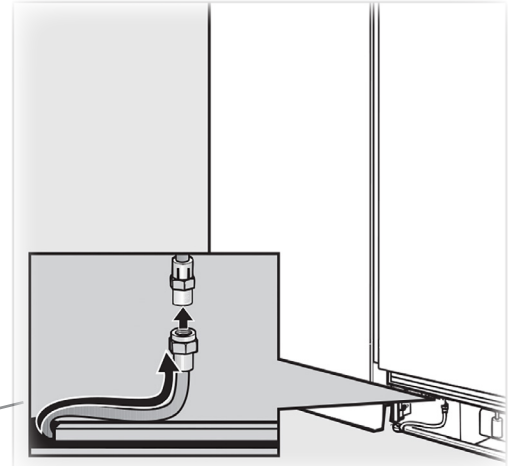
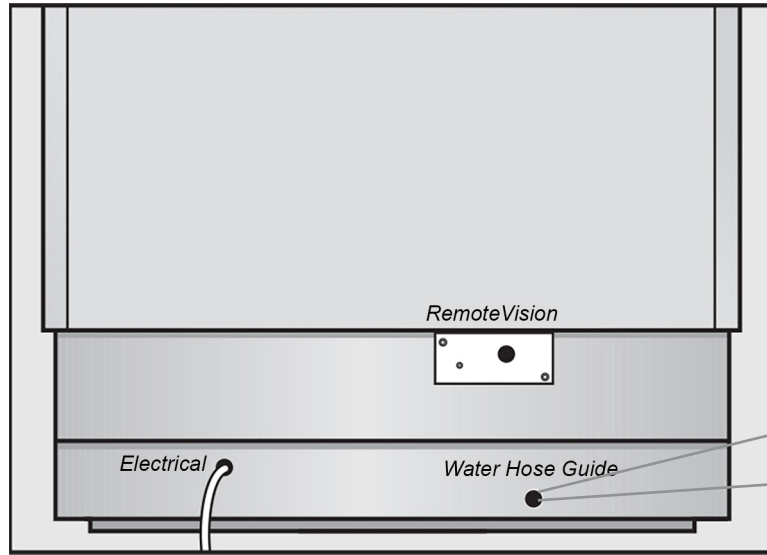
- E - 5 foot - Nema 5-15 molded plug power cord - connects lower left rear
- O - Standard NEMA 5-15 Outlet - locate less than 9" above finished floor
- W - 1/4" flexible water line - not included

Notes

- All Installations must be done in accordance with local codes
- Sides of adjoining cabinets should be filled (flush to frame) to insure proper fit and finish
- For side-by-side installation please refer to the Miele merging kit specification sheet - Some merge kits will require the location of the Electrical outlet(s) to be in adjacent cabinetry
- If design calls for a partition less than 6 5/16" (160 mm) the left unit's cutout will require an additional 1/8" (3 mm) to the width to allow installation of the Heating Mat.

Built-In 30" Freezer F 1813 SF / F 1803 SF

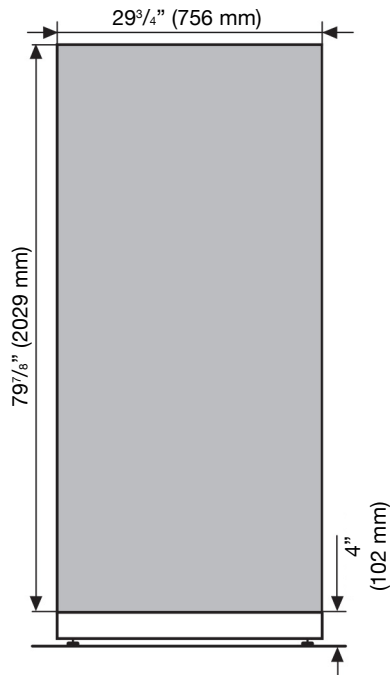
POWER SUPPLY AND WATER CONNECTION BACK VIEW



Water connection is located in front of unit.
1/4" compression fitting is needed.

Electrical - 5 foot (1.52 m) - 120 Volt - 15 Amp - NEMA 5-15 molded plug
Water line - 1/4" flexible water line - not included

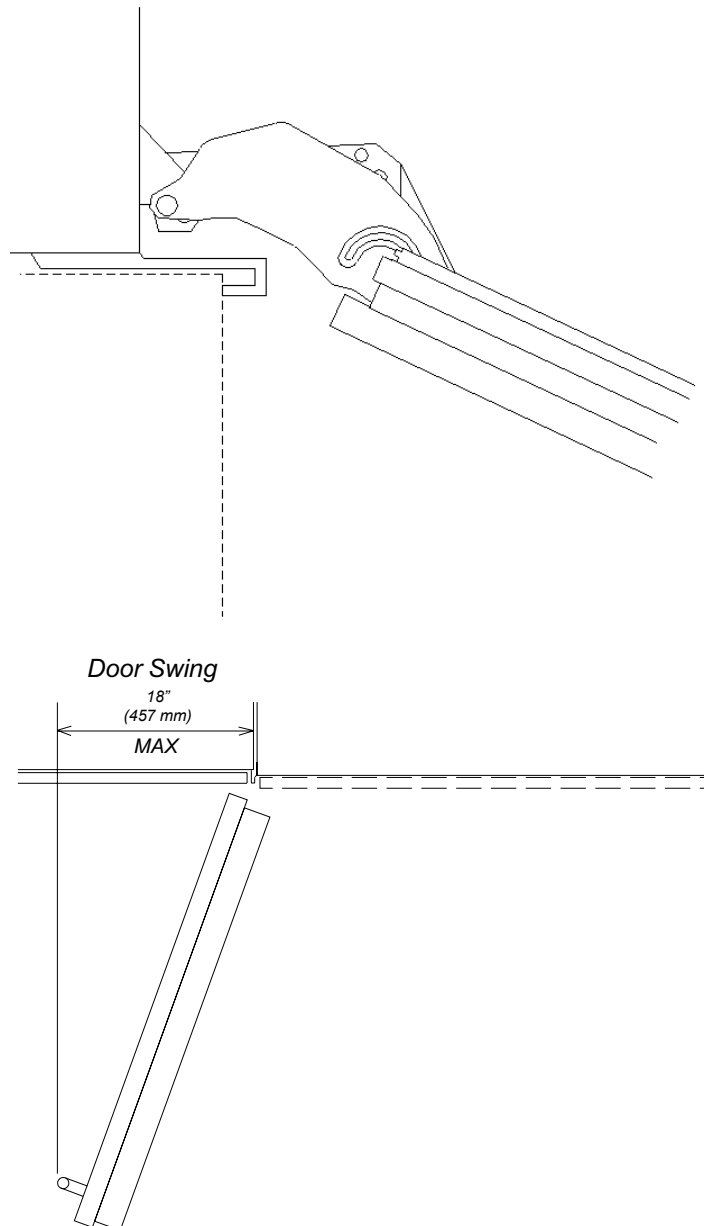
DOOR PANEL DIMENSIONS WITHOUT OUTER TRIM DIMENSIONS



Built-In 30" Freezer
F 1813 SF / F 1803 SF

HINGING DETAILS

115° Door



NOTE: Additional space needed depending on the thickness of front panels and handle used.
Freezer units cannot be stop pinned at 90°