

PerfectCool Freezer  
FNS 37492 iE





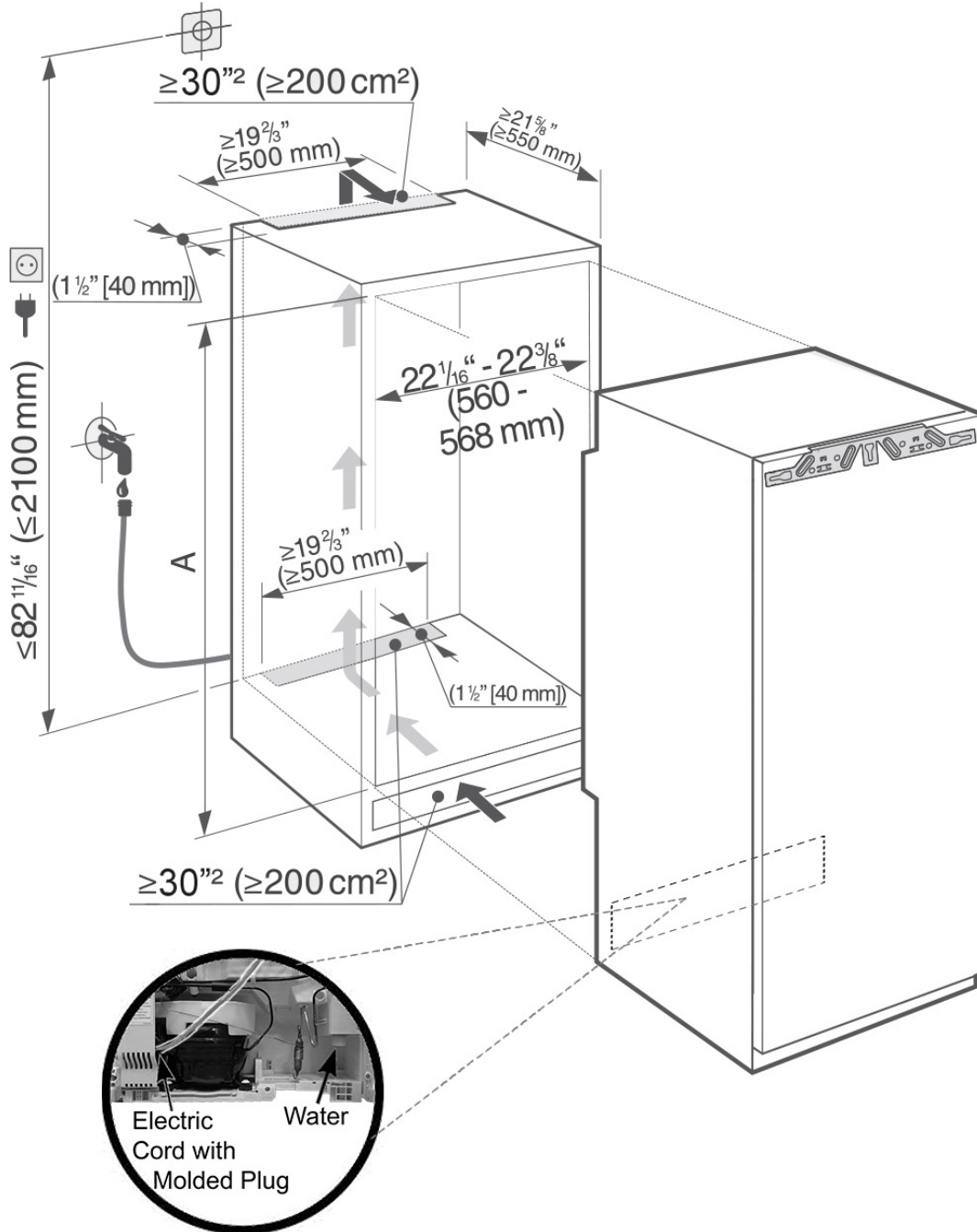
## Features:

- Miele PerfectCool Series
- Perfect Fresh
- Soft Close Hinges
- Easy Sensor Controls
- Plumbed IceMaker
- Sabbath Mode
- Side by Side unit with KS 37472 iD
- Single temperature zone
- NoFrost

## SPECIFICATIONS

<b>FNS 37492 iE — Item 37374921USA</b>	- Left Hinged (convertible)
Overall Unit Width	22" (559 mm)
Overall Unit Height	69 <sup>11</sup> / <sub>16</sub> " (1770 mm)
Overall Unit Depth	21 <sup>1</sup> / <sub>2</sub> " (545 mm)
<b>Niche</b>	
Minimum Cabinet Opening Width	22 <sup>1</sup> / <sub>16</sub> " (560 mm)
Minimum Cabinet Opening Height	69 <sup>3</sup> / <sub>4</sub> " (1772 mm)
Minimum Cabinet Opening Depth	21 <sup>5</sup> / <sub>8</sub> " (550 mm)
<b>Interior Volume</b>	
Freezer Volume	7.8 cu-ft (221 L)
<b>Plumbing</b>	
Water Supply Requirements	Connect to a cold water supply only. Must be connected to a shut-off valve. The water shut-off valve must be accessible after installation. The water pressure must be between 22 psi (1.5 bar) and may not exceed 87 psi (6 bar). If the pressure is higher than 87 psi (6 bar), a pressure reducing valve must be installed.
Water Connection Line	Unit comes with a male 3/4" BPT connection on back of unit. The connection parts included with the appliance permit the connection of various water lines (including 1/4" compression fitting). Water line is not included.
<b>Electrical</b>	
Electrical Requirements - Volts/Amps	110V / 120V, 60Hz, 15A (single) 110V / 120V, 60Hz, 20A (2 Individual units installed side-by-side, using a Duplex outlet)
Power Cord - Plug and length	Yes - NEMA 5-15 plug, 6' 6" (2 m)
<b>Custom Panel</b>	
<b>Refer to manual for further detail</b>	
Maximum Panel Weight	50.7 lbs (23 kg)
Maximum Panel Thickness	3/4" (19 mm)
Minimum Panel Thickness	5/8" (16 mm)
<b>Shipping</b>	
Shipping Weight	175.5 lbs (79 kg)
Shipping Dimensions	24 <sup>1</sup> / <sub>2</sub> " W x 72" H x 22 <sup>1</sup> / <sub>2</sub> " D
<b>Support</b>	
Call Miele	800.843.7231
Miele Website	<a href="http://www.mieleusa.com">www.mieleusa.com</a>
20/20 Link	<a href="http://2020technologies.com">2020technologies.com</a>

INSTALLATION DIMENSIONS

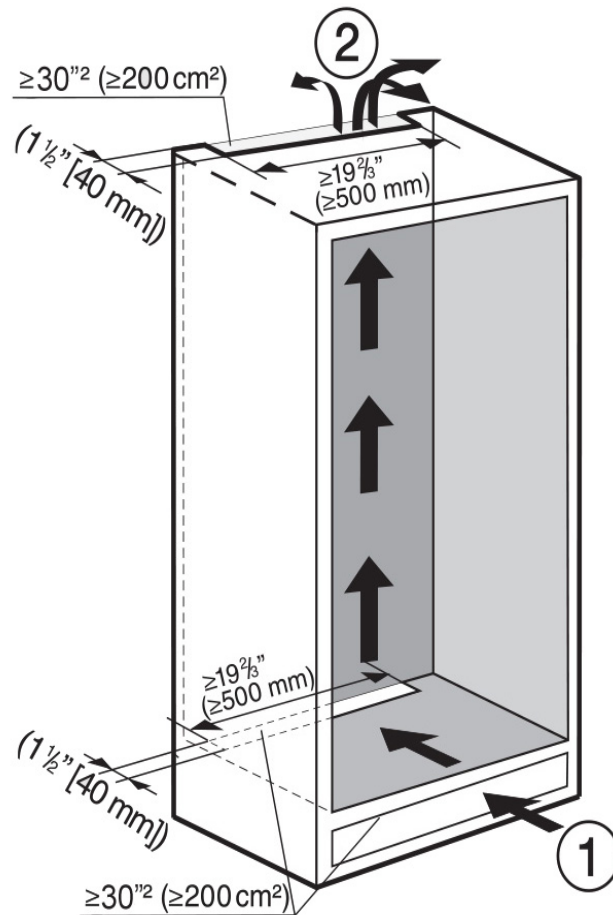


	Niche height A
<b>FNS 37492 iE</b>	69 3/4" - 70 3/8" (1772 - 1788 mm)

Before installation, ensure the building-in niche is the correct size. The specified ventilation cross-sections must be adhered to in order to ensure the correct functioning of the appliance.

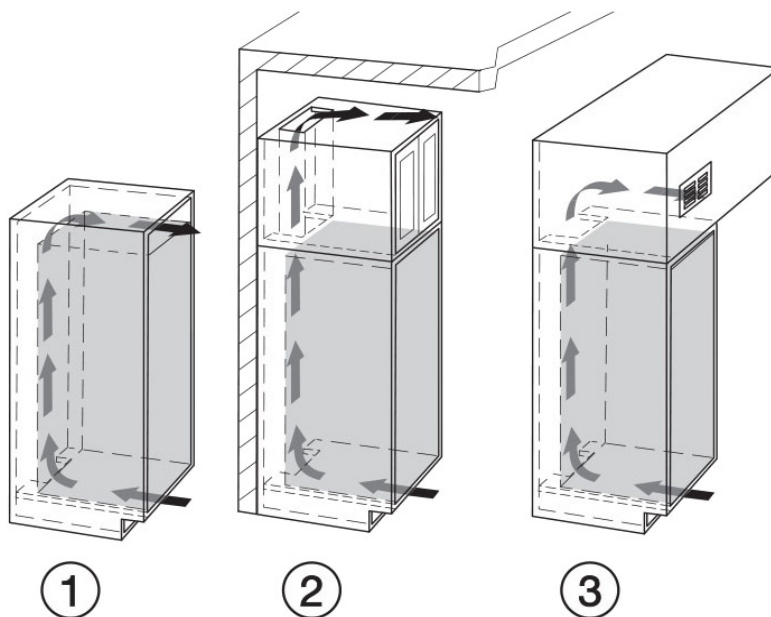
For additional information on Plumbing, please refer to the Plumbing section in the Install Manual.

VENTILATION DIMENSIONS



- Air intake (1) occurs via the plinth at the bottom of the appliance and the air escapes at the top (2) at the rear of the housing unit.
- A ventilation gap of at least  $1\frac{5}{8}''$  (40 mm) depth must be provided behind the appliance for air to circulate.
- The ventilation cross-sections in the plinth housing unit and above the appliance must amount to at least  $78\frac{3}{4}''^2$  to ensure that air can circulate without obstruction.
- Please refer to the manual for further ventilation details.

TOP VENTILATION CROSS-SECTION



(1) Directly above the appliance with a ventilation grill (free airflow of at least  $78 \frac{3}{4}''^2$ ).

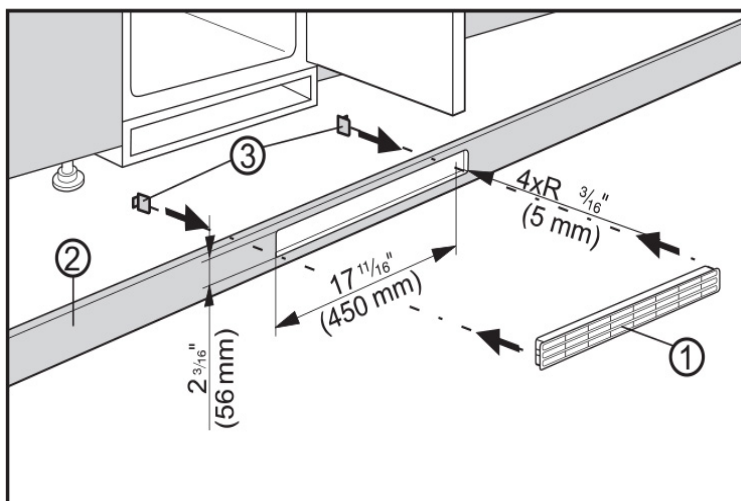
(2) In between the housing unit and ceiling.

(3) Through a suspended ceiling.

- Please refer to manual for further ventilation details.



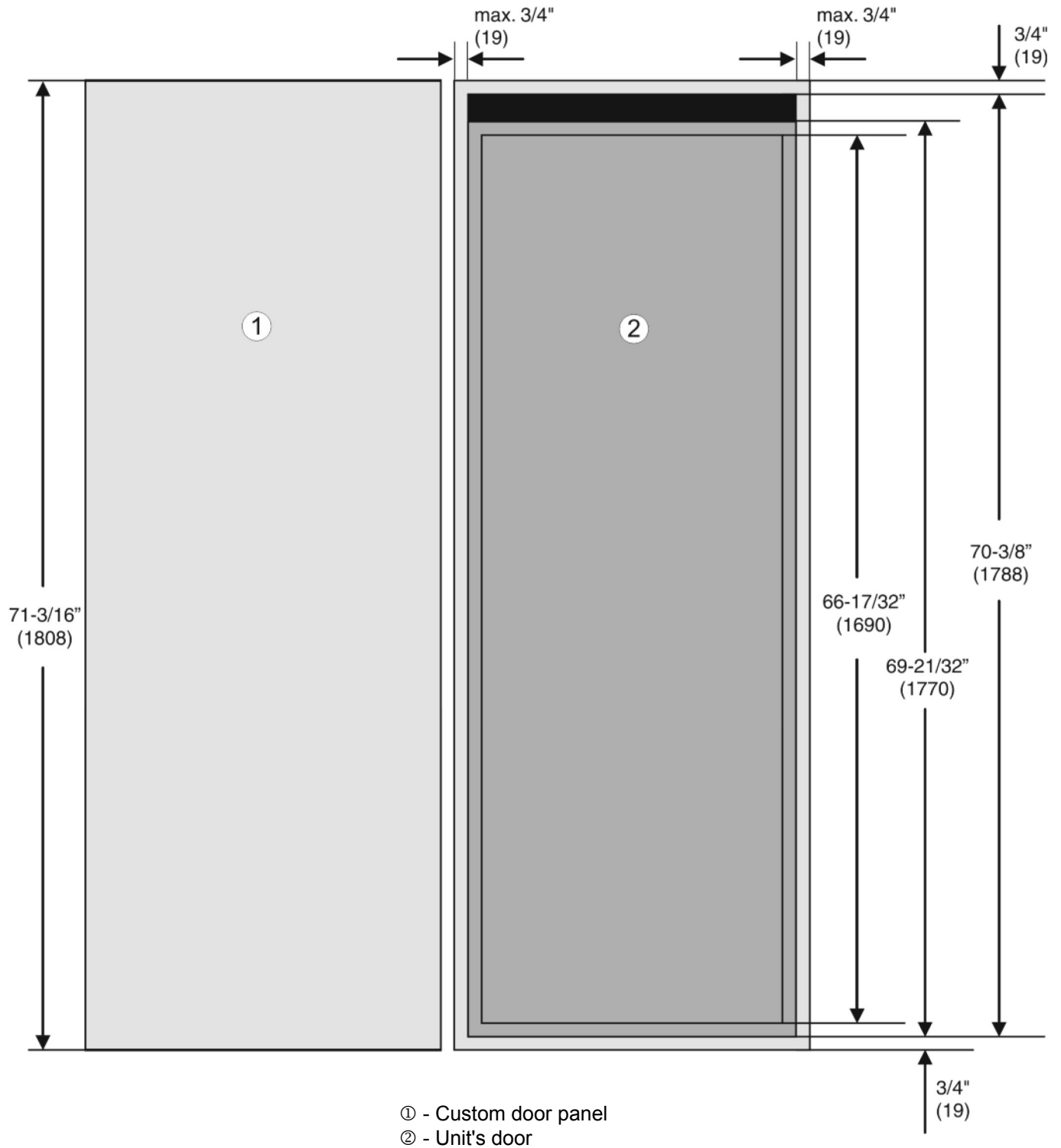
BOTTOM VENTILATION SLITS  
DIMENSIONS



If you would like to use the ventilation slits:

- Cut an opening in the plinth (2) as shown in the figure.
- Place the ventilation grille (1) into the opening.
- Push the snap connector (3) into the ventilation slits from the rear until the hooks are touching the plinth
- Reinstall the plinth with the ventilation slits

CUSTOM PANEL



CUSTOM PANEL CONTINUED

SPECIFICATIONS	
<b>Custom Panel</b>	Refer to manual for further detail
Maximum Panel Weight	50.7 lbs (23 kg)
Maximum Panel Thickness	$\frac{3}{4}$ " (19 mm)
Minimum Panel Thickness	$\frac{5}{8}$ " (16 mm)
<b>Inset Panel</b>	
Minimum Vertical Gap - Between Cabinet and Door Panel	$\frac{1}{8}$ " (3 mm)
Minimum Horizontal Gap - Between Top Cabinet Panel and Door Panel	$\frac{1}{8}$ " (3 mm)

**Framed Cabinet with Inset Door  
Panel Calculation**

$$\text{Panel Width} = \text{Niche Opening Width} - \frac{1}{4}" (6 \text{ mm})$$

$$\text{Panel Height} = \text{Niche Opening Height} - \frac{1}{4}" (6 \text{ mm})$$

**Frameless Style Cabinet Panel  
Calculation**

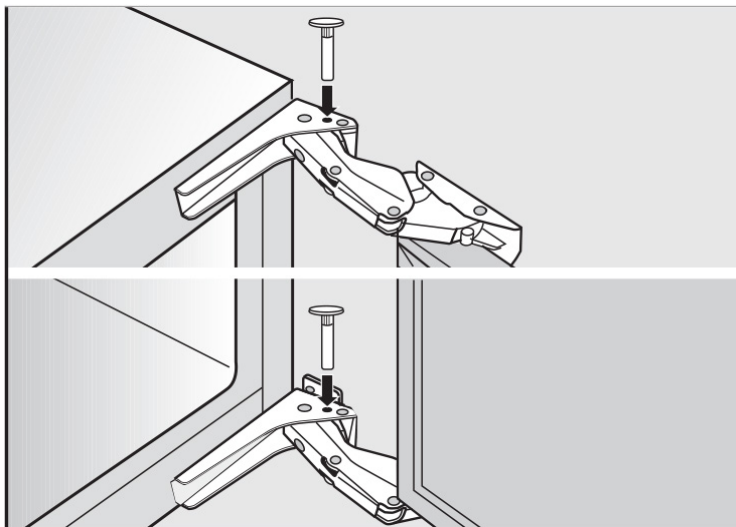
$$\text{Panel Width} = \text{Niche Opening Width} + \text{Left Side Panel Thickness} + \text{Right Side Panel Thickness}$$

$$\text{Panel Height} = \text{Niche Opening Height} + \text{Top Panel/Shelf Thickness} + \text{Bottom Shelf Thickness}$$



## ADJUSTABLE DOOR HINGE

90° or 120° Opening



The door hinges are factory set so that the door can be opened wide.

However if the opening angle of the door needs to be limited for any reason, the hinge can be adjusted to accommodate this.

Insert the limit pins provided into the hinges from above. This will limit the opening angle of the appliance door to 90°.