

Miele

Built-In
36" Refrigerator

K 1913 SF / K 1903 SF



Built-in 36" Refrigerator K 1913 SF / K 1903 SF



K 1913 SF / K 1903 SF

Features:

- MasterCool controls
- ClearView lighting system
- Drop and Lock Shelves
- SmartFresh storage drawers
- FullView storage drawers
- RemoteVision capable
- Acoustic door and temperature alarm
- Optical door and temperature alarm
- Energy Star

SPECIFICATIONS

K 1903 SF — Item 36190311USA - Right Hinged

K 1913 SF — Item 36191311USA - Left Hinged

Overall Unit Width - Excluding Fascia Dimension 35³/₄" (908 mm)

Overall Unit Height - Excluding Fascia Dimension 84" (2134 mm)

Overall Unit Depth - Excluding Fascia Dimension 24" (610 mm)

Overall Fascia Dimensions 36¹/₂" (927 mm) W x 84¹/₂" (2146 mm) H x ³/₄" (19 mm) D

Niche

Minimum Cabinet Opening Width 36" (915 mm)

Minimum Cabinet Opening Height 84" (2134 mm)

Minimum Cabinet Opening Depth 24" (610 mm)

Interior Volume

Fresh Food Volume 19.94 cu-ft (564.6 L)

Electrical

Electrical Requirements - Volts/Amps 110V / 120V, 60Hz, 15 Amps
In the case of side-by-side installations, a separate outlet must be used for each appliance.

Power Cord - Plug and length NEMA 5-15 plug, 5 ft (1.52 m)

Shipping

Shipping Weight 504.5 lbs (229 kg)

Shipping Dimensions 39¹/₂" W x 89³/₄" H x 29¹/₄" D

Support

Call Miele (800) 999-1360

Miele Website www.mieleusa.com

20/20 Link 2020technologies.com

Please note the following:

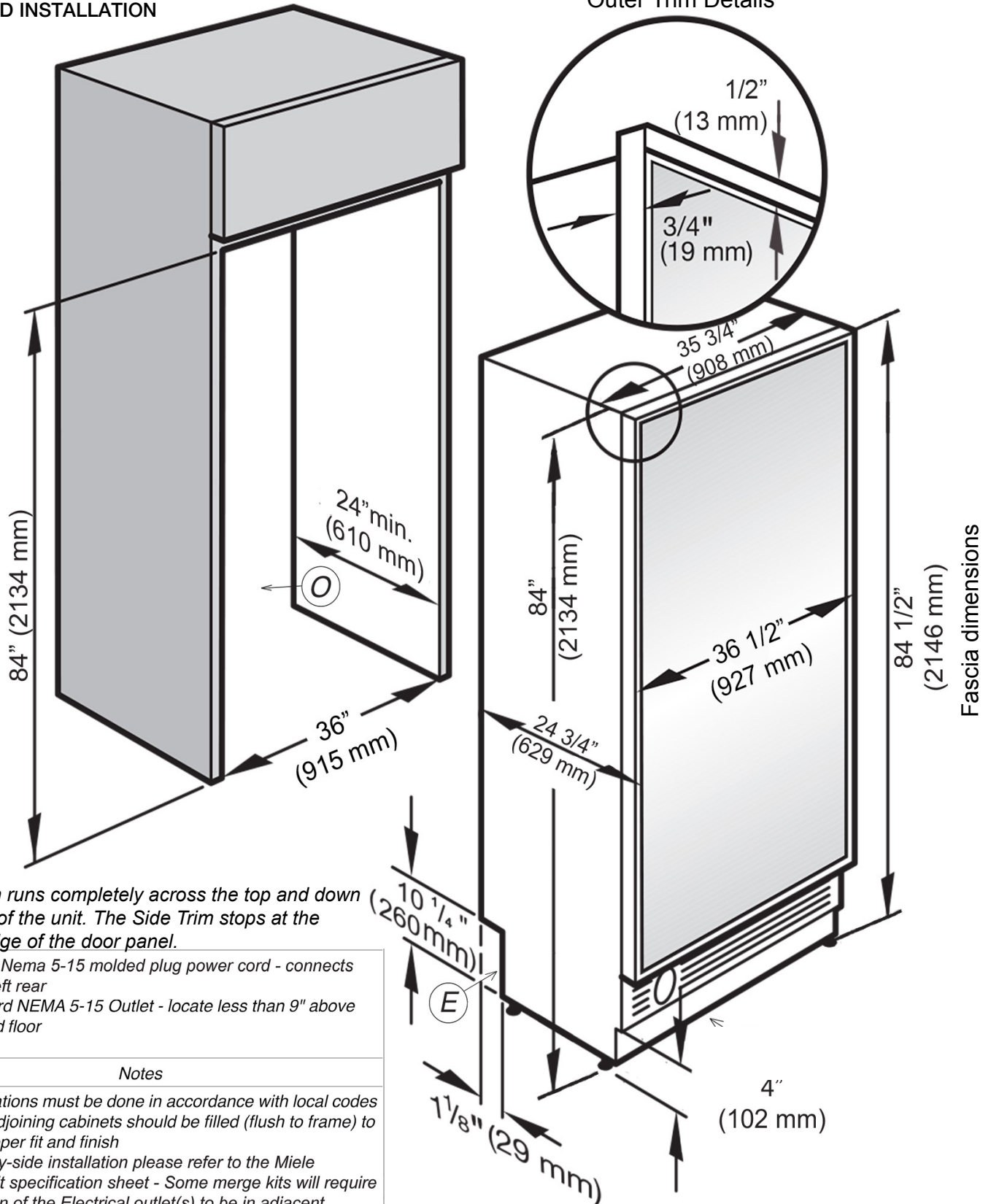
- This specification sheet is for a single built-in unit.
- When combining multiple MasterCool units side-by-side, please refer to the Merging Kit specification sheet.

*If design calls for a partition less than 6 ⁵/₁₆" (160 mm) the left unit's cutout will require an additional ¹/₈" (3 mm) to the width to allow installation of the Heating Mat/Merge Kit.

Built-in 36" Refrigerator
K 1913 SF / K 1903 SF

FOR PROUD INSTALLATION

Outer Trim Details*



* Outer Trim runs completely across the top and down the sides of the unit. The Side Trim stops at the bottom edge of the door panel.

E - 5 foot - Nema 5-15 molded plug power cord - connects lower left rear

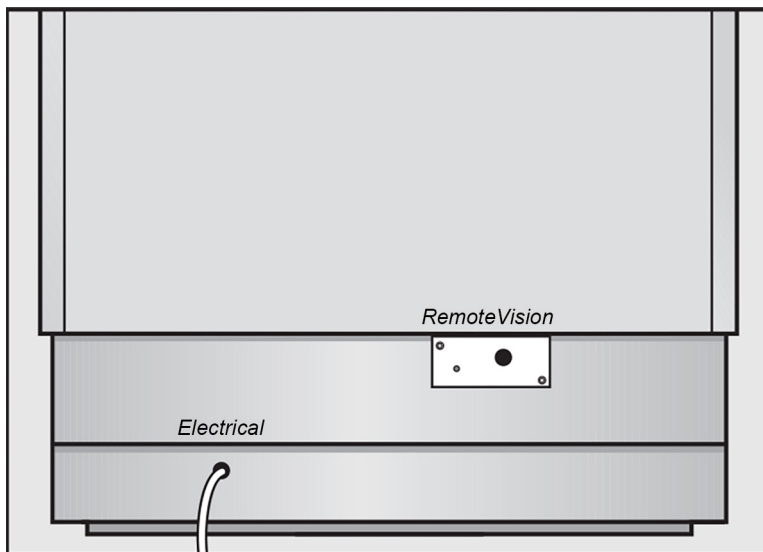
O - Standard NEMA 5-15 Outlet - locate less than 9" above finished floor

Notes

- All Installations must be done in accordance with local codes
- Sides of adjoining cabinets should be filled (flush to frame) to insure proper fit and finish
- For side-by-side installation please refer to the Miele merging kit specification sheet - Some merge kits will require the location of the Electrical outlet(s) to be in adjacent cabinetry
- If design calls for a partition less than 6 5/16" (160 mm) the left unit's cutout will require an additional 1/8" (3 mm) to the width to allow installation of the Heating Mat.

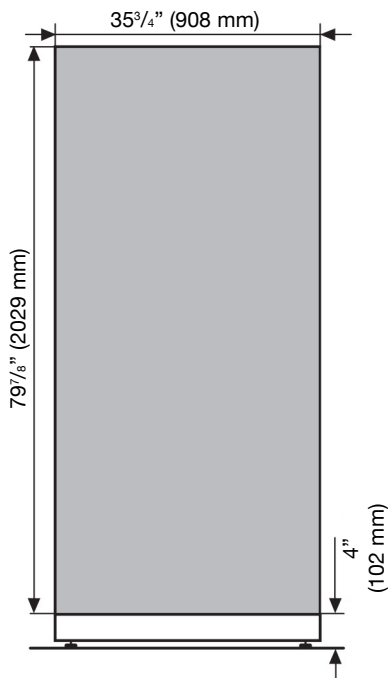
Built-in 36" Refrigerator K 1913 SF / K 1903 SF

POWER SUPPLY CONNECTION BACK VIEW



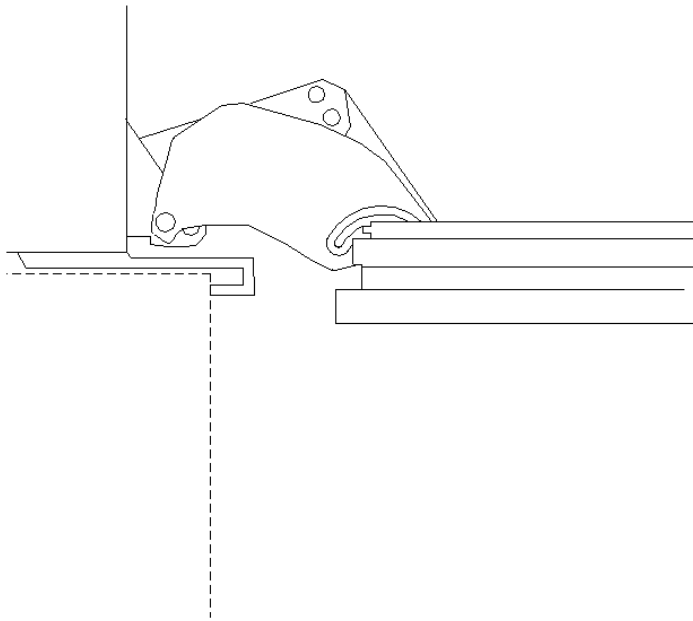
Electrical - 5 foot (1.52 m) - 120 Volt - 15 Amp - NEMA 5-15 molded plug

DOOR PANEL DIMENSIONS WITHOUT OUTER TRIM DIMENSIONS

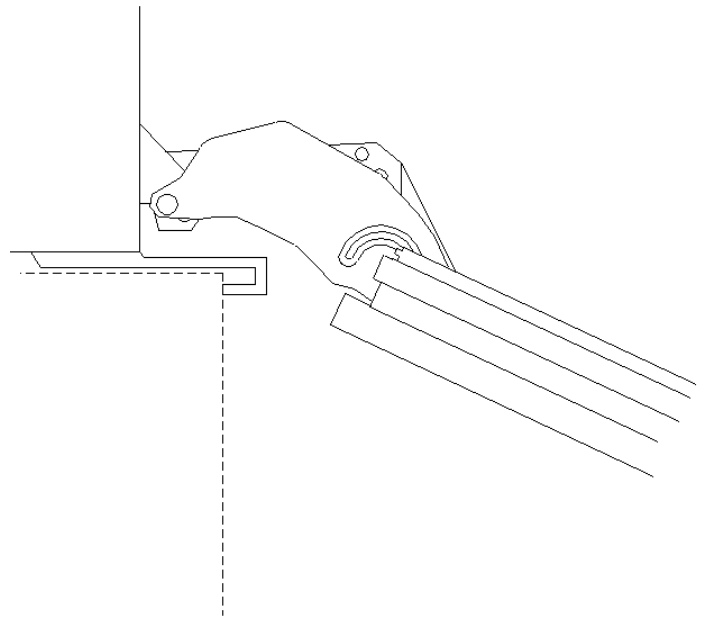


HINGING DETAILS

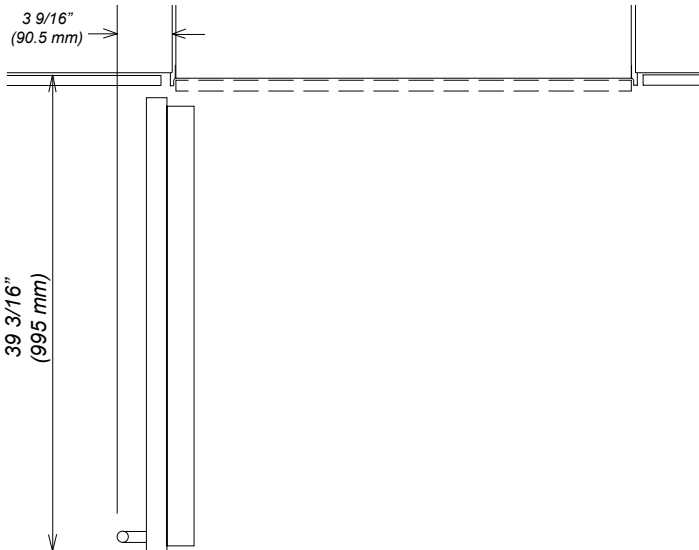
90° Door



115° Door



Door Swing



Door Swing

