

Miele

Built-In
30" Bottom Mount

KF 1813 SF / KF 1803 SF



Built-In 30" Bottom Mount KF 1813 SF / KF 1803 SF



KF 1813 SF / KF 1803 SF

Features:

- MasterCool controls
- ClearView lighting system
- Drop and Lock Shelves
- SmartFresh storage drawers
- FullView storage drawers
- Ice maker
- RemoteVision capable
- Acoustic door and temperature alarm
- Optical door and temperature alarm
- Energy Star

SPECIFICATIONS

KF 1803 SF — Item 38180311USA - Right Hinged

KF 1813 SF — Item 38181311USA - Left Hinged

Overall Unit Width - Excluding Fascia Dimension 29³/₄" (756 mm)

Overall Unit Height - Excluding Fascia Dimension 84" (2134 mm)

Overall Unit Depth - Excluding Fascia Dimension 24" (610 mm)

Overall Fascia Dimensions 30¹/₂" (775 mm) W x 84¹/₂" (2146 mm) H
x 3³/₄" (19 mm) D

Niche

Minimum Cabinet Opening Width 30" (762 mm)

Minimum Cabinet Opening Height 84" (2134 mm)

Minimum Cabinet Opening Depth 24" (610 mm)

Interior Volume

Fresh Food Volume 10.8 cu-ft (305.8 L)

Freezer Volume 4.39 cu-ft (124.3 L)

Plumbing

Water Supply Requirements Connect to a cold water supply only. Do not connect to a low-mineral or a reverse osmosis system. Must be connected to a shut-off valve. The water shut-off valve must be accessible after installation. The water pressure must be between 25 psi (1.7 bar) and may not exceed 80 psi (5.5 bar). If the pressure is higher than 80 psi (5.5 bar), a pressure reducing valve must be installed.

Water Connection Line Standard 1/4" O.D flexible water line. The maximum outer diameter of the water pipe (without fittings): 3/8" (10 mm). Water line is not included.

Electrical

Electrical Requirements - Volts/Amps 110V / 120V, 60Hz, 15 Amps
In the case of side-by-side installations, a separate outlet must be used for each appliance.

Power Cord - Plug and length NEMA 5-15 plug, 5 ft (1.52 m)

Shipping

Shipping Weight 522.5 lbs (237 kg)

Shipping Dimensions 33¹/₂" W x 89¹³/₁₆" H x 29¹/₄" D

Support

Call Miele (800) 999-1360

Miele Website www.mieleusa.com

20/20 Link 2020technologies.com

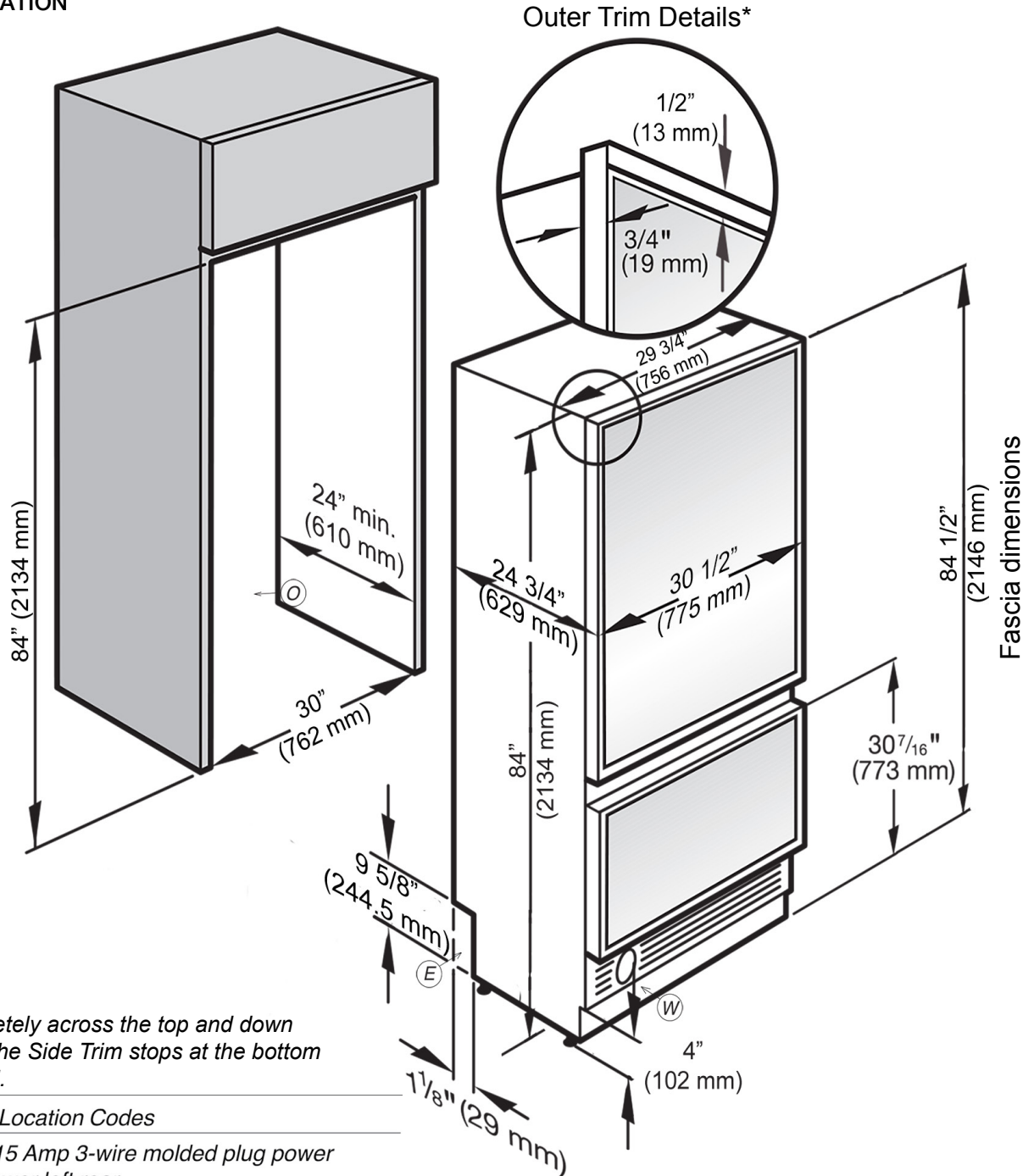
Please note the following:

- This specification sheet is for a single built-in unit.
- When combining multiple MasterCool units side-by-side, please refer to the Merging Kit specification sheet.

*If design calls for a partition less than 6 ⁵/₁₆" (160 mm) the left unit's cutout will require an additional ¹/₈" (3 mm) to the width to allow installation of the Heating Mat/Merge Kit.

Built-In 30" Bottom Mount KF 1813 SF / KF 1803 SF

FOR PROUD INSTALLATION



* Outer Trim runs completely across the top and down the sides of the unit. The Side Trim stops at the bottom edge of the door panel.

Location Codes

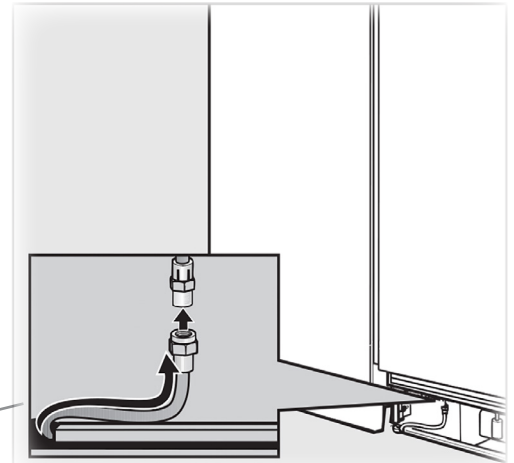
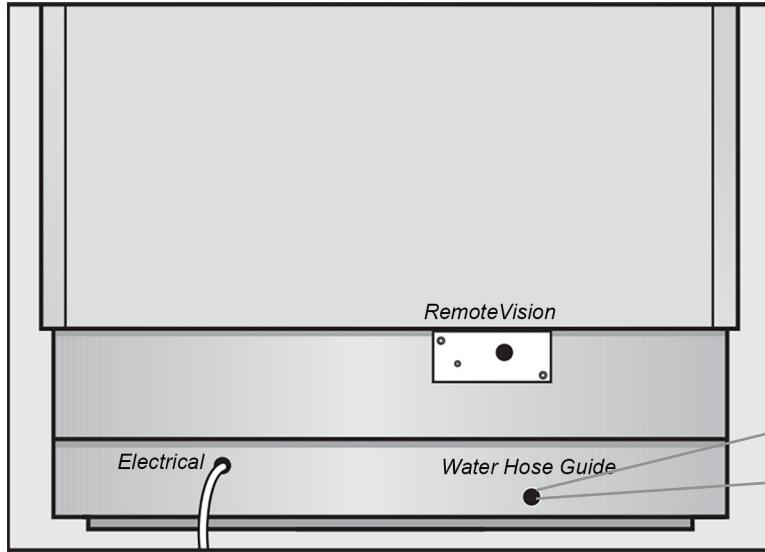
- E - 5 foot - 120 Volt - 15 Amp 3-wire molded plug power supply connects lower left rear
- O - Standard NEMA 5-15 Outlet - locate less than 9" above finished floor
- W - 1/4" flexible water line

Notes

- All Installations must be done in accordance with local codes
- Sides of adjoining cabinets should be filled (flush to frame) to insure proper fit and finish
- For side-by-side installation with KSK1002 Merge Kit - Niche depth under 25" (635 mm) will require the location of the Electrical outlet(s) to be in adjacent cabinetry

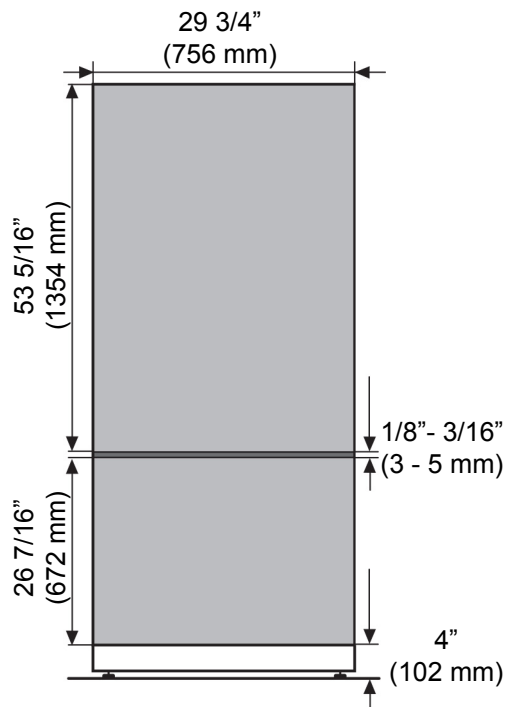
Built-In 30" Bottom Mount KF 1813 SF / KF 1803 SF

POWER SUPPLY AND WATER CONNECTION BACK VIEW



Electrical - 5 foot (1.52 m) - 120 Volt - 15 Amp - NEMA 5-15 molded plug
Water line - 1/4" flexible water line - not included

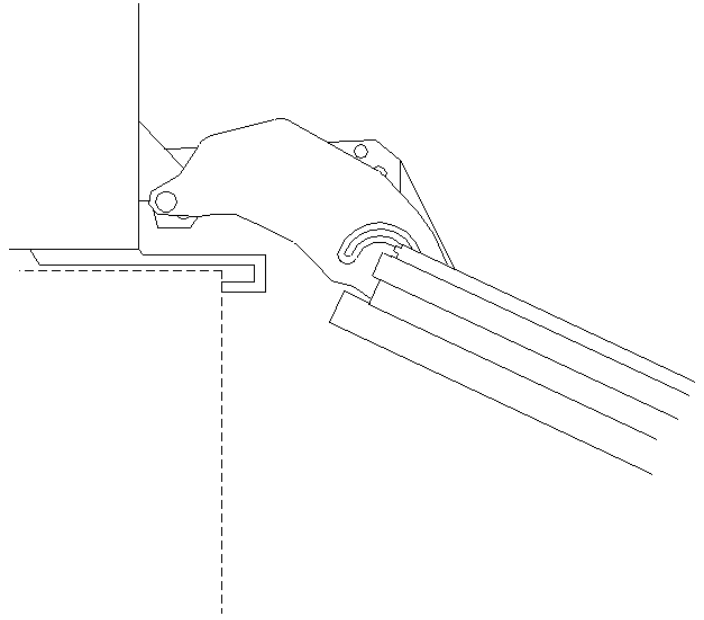
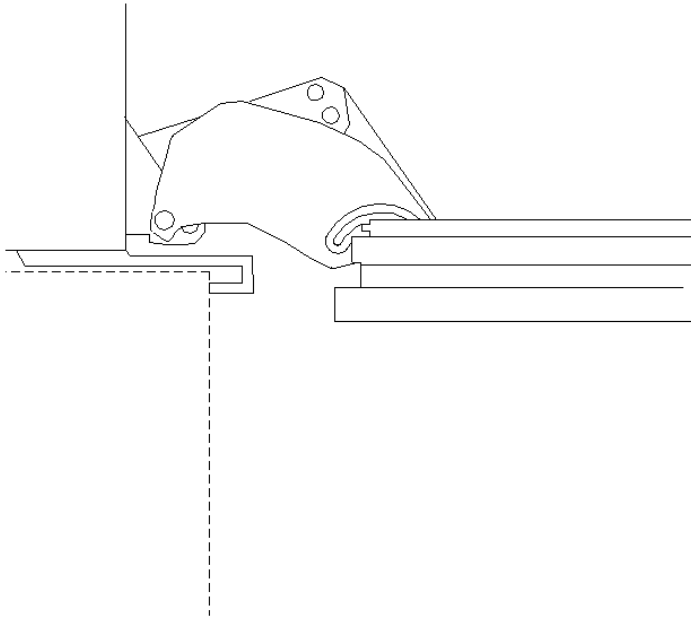
DOOR PANEL DIMENSIONS WITHOUT OUTER TRIM DIMENSIONS



HINGING DETAILS

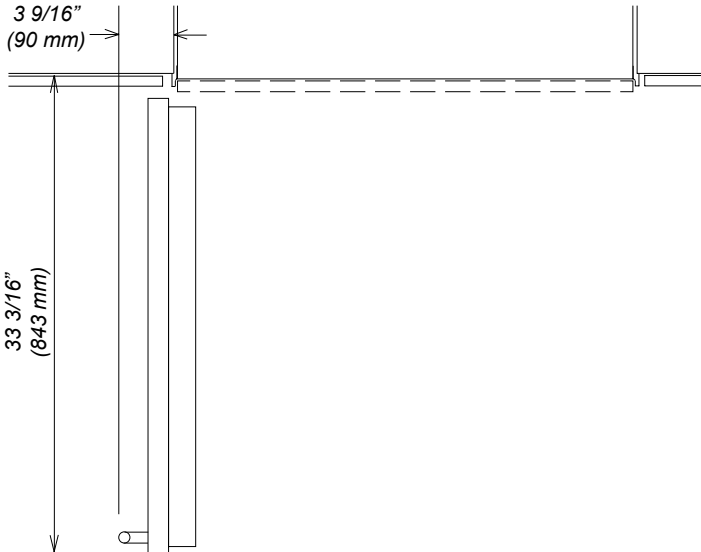
90° Door

115° Door



Door Swing

3 9/16"
(90 mm)



Door Swing

15 1/2"
(394 mm)
MAX

