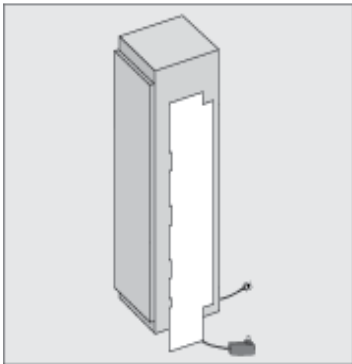


MasterCool Refrigeration  
Side-by-Side Merging Combinations  
For Vi Models

KSK 1002



# Side-by-Side Merging Kit KSK 1002



## SPECIFICATIONS

KSK 1002 — Item 38996010USA

### Electrical

|                                      |   |
|--------------------------------------|---|
| Electrical Requirements - Volts/Amps | 110V / 120V, 60Hz, 15 Amps<br>In a side-by-side installations, a separate outlet must be used for each appliance. |
|--------------------------------------|---|

|            |                                  |
|------------|----------------------------------|
| Power Cord | NEMA 1-15 plug, 9' 3" ft (2.8 m) |
|------------|----------------------------------|

### Support

|            |                |
|------------|----------------|
| Call Miele | (800) 999-1360 |
|------------|----------------|

|               |  |
|---------------|--|
| Miele Website | <a href="http://www.mieleusa.com">www.mieleusa.com</a> |
|---------------|--|

|            |  |
|------------|--|
| 20/20 Link | <a href="http://2020technologies.com">2020technologies.com</a> |
|------------|--|

This merging kit should be used for side-by-side installation of the following models:

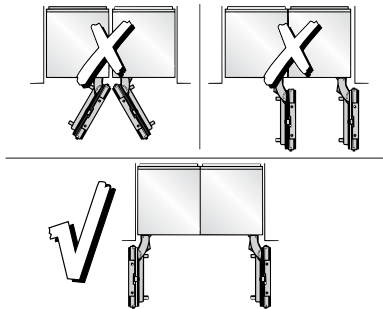
- K 18x1 Vi, K 19x1 Vi, K 18x3 Vi, K 19x3 Vi
- F 14x1 Vi, F 18x1 Vi, F 19x1 Vi, F 14x3 Vi, F 18x3 Vi, F 19x3 Vi
- KF 18x1 Vi, KF 19x1 Vi, KF 18x3 Vi, KF 19x3 Vi
- KWT 16x1 Vi, KWT 16x3 Vi

# Side-by-Side Merging Kit KSK 1002



## Side-by-side

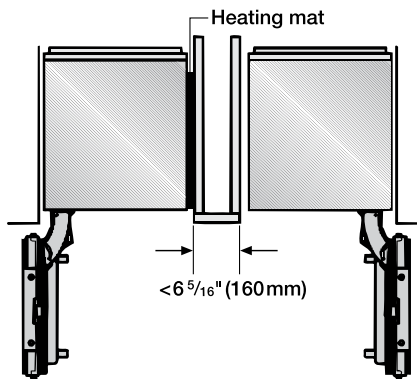
### ... without partition



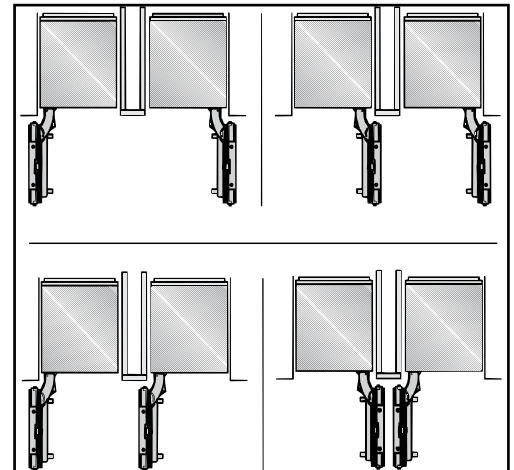
If the appliances are installed directly next to each other (without a partition), they need to be attached together. A heating mat must also be installed. This will help avoid condensation and prevent damages.

### ... with partition

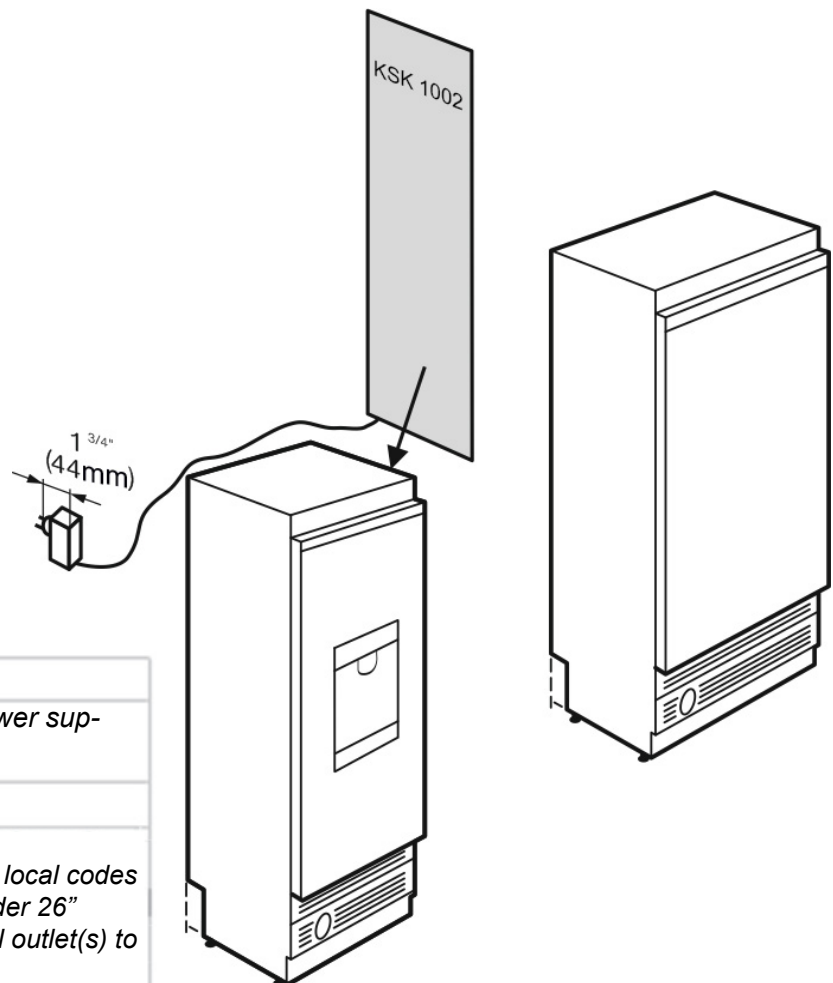
If there is a partition with a thickness **less than 6 5/16" (160 mm)** between the adjacent appliances, then each appliance should be individually installed within its own niche using the mounting accessories included.



In this case, you will only need the heating mat from the "Merging kit" to avoid condensation and prevent damages.



## HEATING MAT TRANSFORMER PLUG DETAILS FOR KSK 1002



### Location Codes

- KSK 1002- 9 foot- NEMA 1-15 molded plug power supply

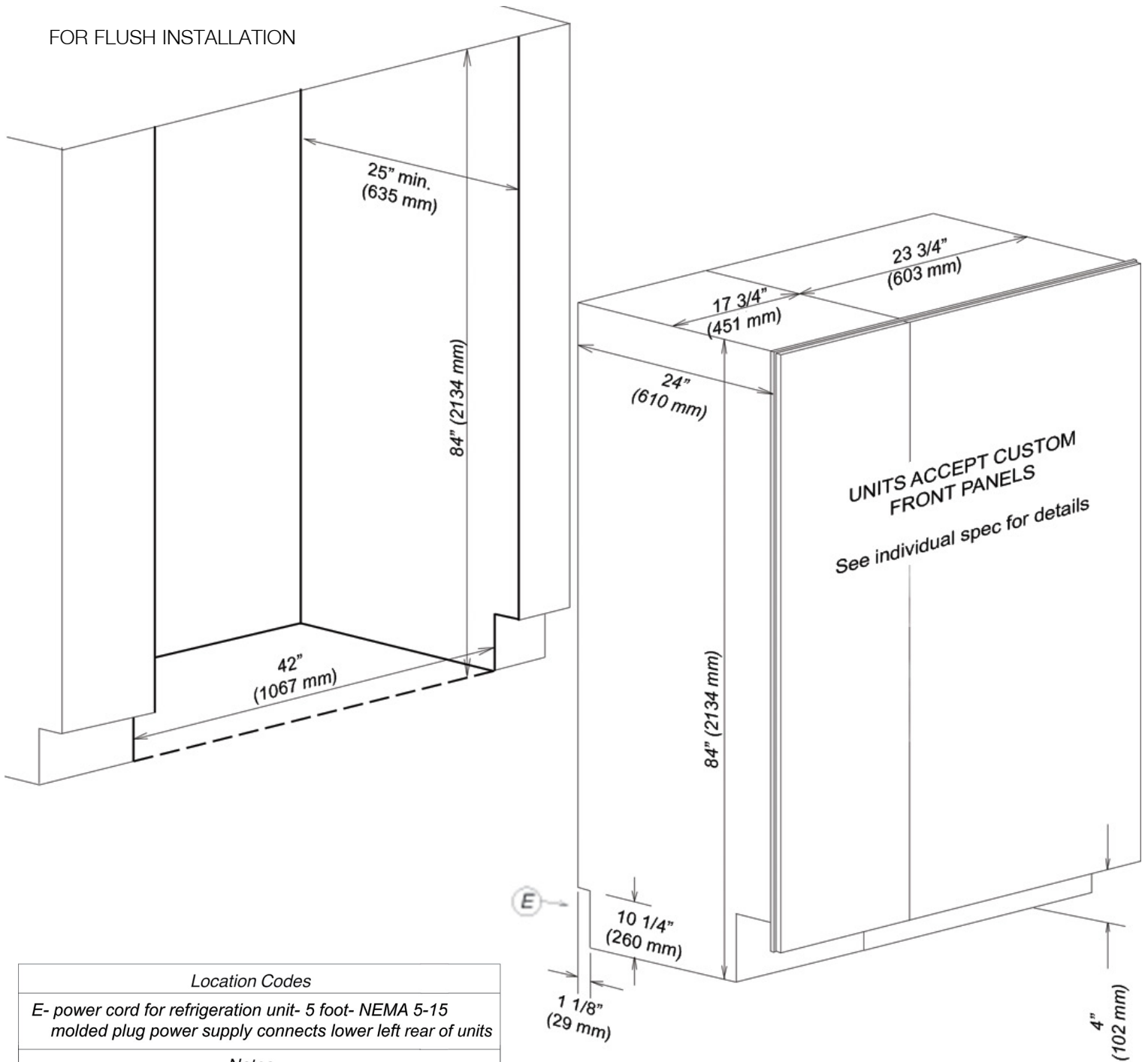
### Notes

- Merging kit must be used when combining units
- All Installations must be done in accordance with local codes
- Installation with KSK 1002 with a niche depth under 26" (660 mm) will require the location of the Electrical outlet(s) to be in adjacent cabinetry

# Product and Cut-out Dimensions 42" Side-by-Side Combination



FOR FLUSH INSTALLATION



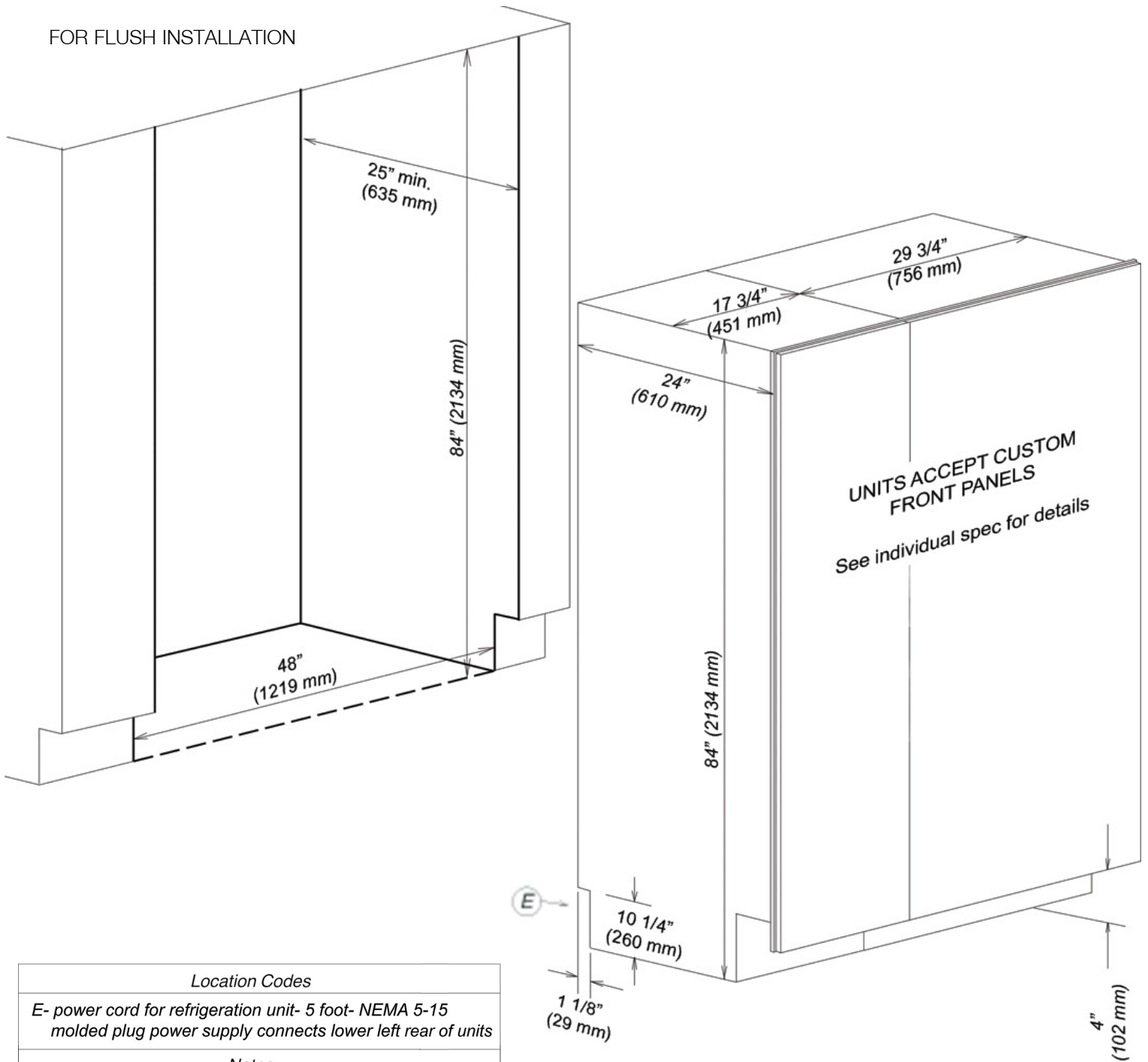
| Location Codes  |
|---|
| E- power cord for refrigeration unit- 5 foot- NEMA 5-15 molded plug power supply connects lower left rear of units  |
| Notes   |
| <ul style="list-style-type: none"> <li>• Merging kit must be used when combining units</li> <li>• All installations must be done in accordance with local codes</li> <li>• Sides of adjoining cabinets should be filled (flush to frame) to insure proper fit and finish</li> <li>• For Proud Installation - please adjust accordingly</li> <li>• Installation with KSK 1002 with a niche depth under 26" (660 mm) will require the location of the Electrical outlet(s) to be in adjacent cabinetry</li> </ul> |

\*Depth assumes a 3/4" panel, please adjust according to custom panel thickness

# Product and Cut-out Dimensions 48" Side-by-Side Combination



FOR FLUSH INSTALLATION



UNITS ACCEPT CUSTOM  
FRONT PANELS  
See individual spec for details

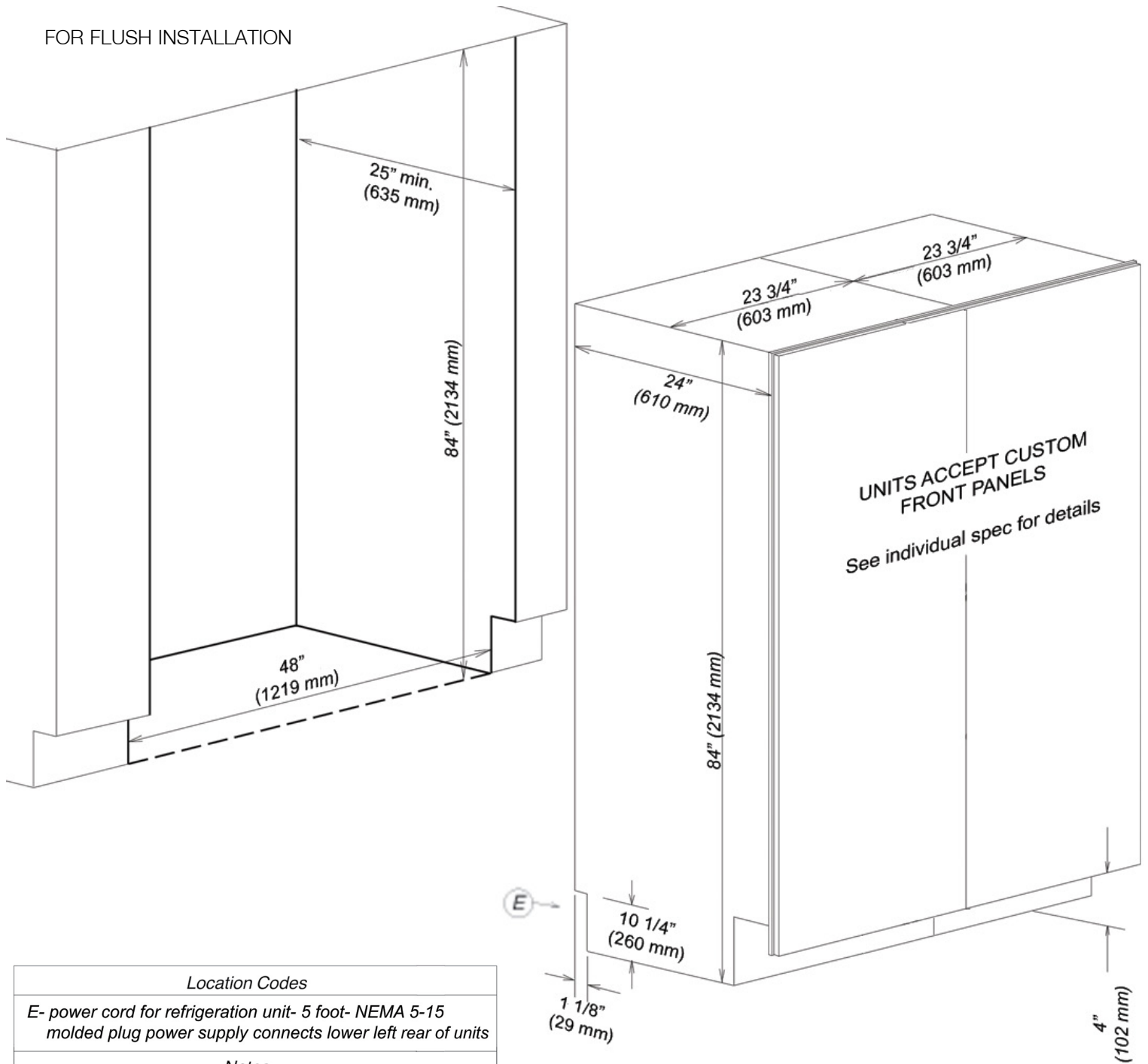
| Location Codes  |
|---|
| E- power cord for refrigeration unit- 5 foot- NEMA 5-15 molded plug power supply connects lower left rear of units  |
| Notes   |
| <ul style="list-style-type: none"> <li>• Merging kit must be used when combining units</li> <li>• All installations must be done in accordance with local codes</li> <li>• Sides of adjoining cabinets should be filled (flush to frame) to insure proper fit and finish</li> <li>• For Proud Installation - please adjust accordingly</li> <li>• Installation with KSK 1002 with a niche depth under 26" (660 mm) will require the location of the Electrical outlet(s) to be in adjacent cabinetry</li> </ul> |

\*Depth assumes a 3/4" panel, please adjust according to custom panel thickness

# Product and Cut-out Dimensions 48" Side-by-Side Combination



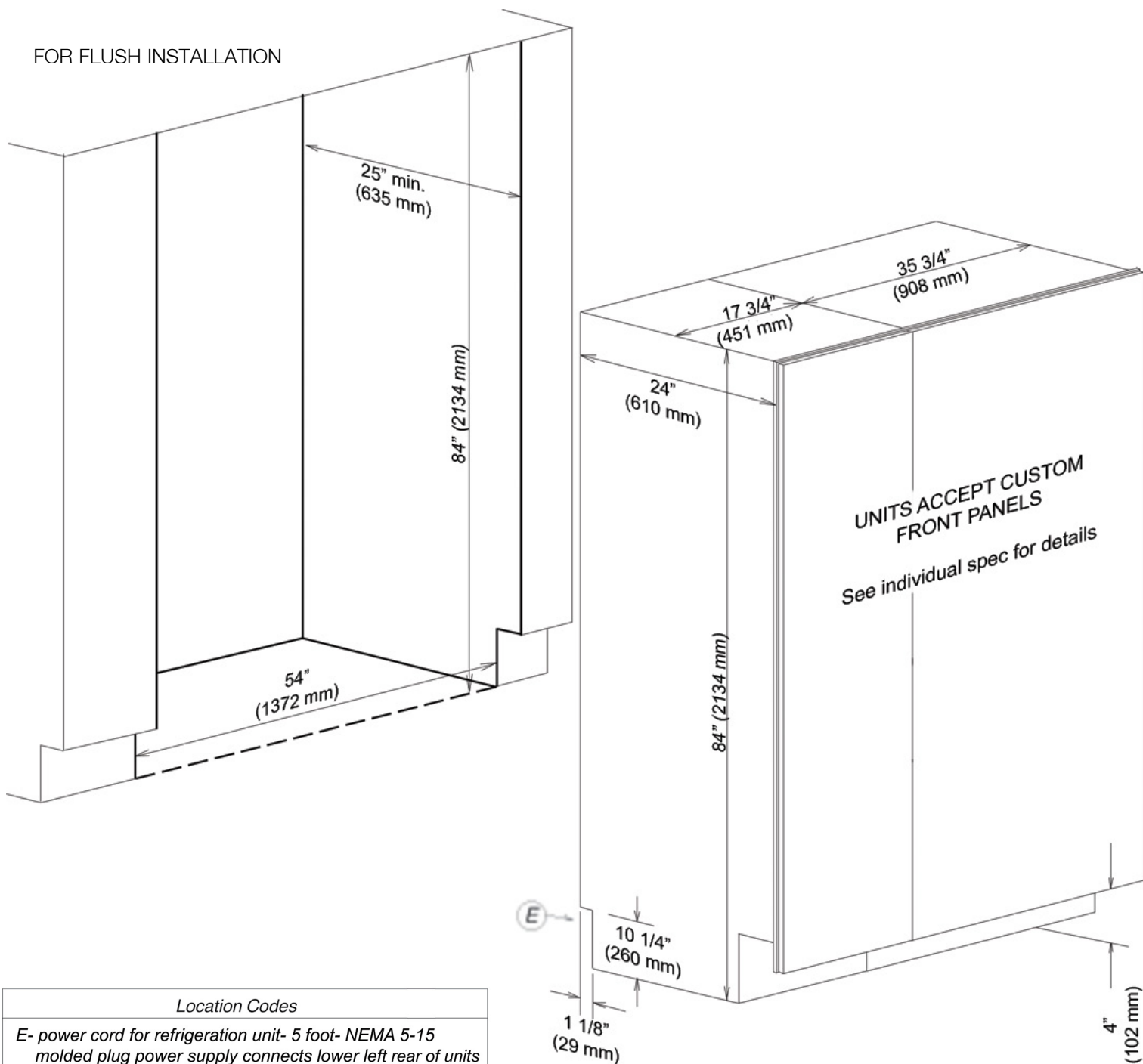
FOR FLUSH INSTALLATION



| Location Codes  |
|---|
| E- power cord for refrigeration unit- 5 foot- NEMA 5-15 molded plug power supply connects lower left rear of units  |
| Notes   |
| <ul style="list-style-type: none"> <li>• Merging kit must be used when combining units</li> <li>• All installations must be done in accordance with local codes</li> <li>• Sides of adjoining cabinets should be filled (flush to frame) to insure proper fit and finish</li> <li>• For Proud Installation - please adjust accordingly</li> <li>• Installation with KSK 1002 with a niche depth under 26" (660 mm) will require the location of the Electrical outlet(s) to be in adjacent cabinetry</li> </ul> |

\*Depth assumes a 3/4" panel, please adjust according to custom panel thickness

# Product and Cut-out Dimensions 54" Side-by-Side Combination



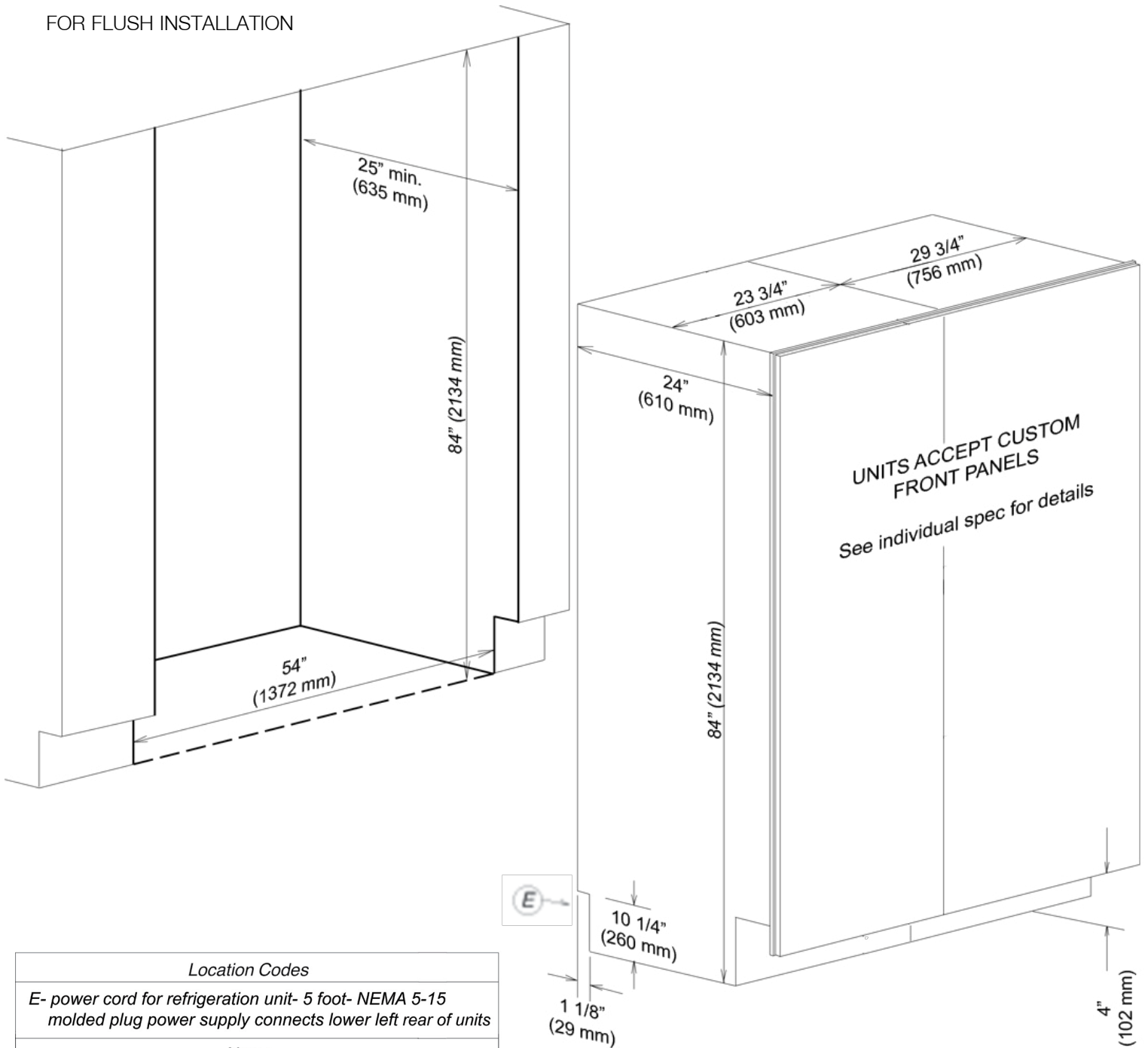
| Location Codes  |
|---|
| E- power cord for refrigeration unit- 5 foot- NEMA 5-15 molded plug power supply connects lower left rear of units  |
| Notes   |
| <ul style="list-style-type: none"> <li>• Merging kit must be used when combining units</li> <li>• All installations must be done in accordance with local codes</li> <li>• Sides of adjoining cabinets should be filled (flush to frame) to insure proper fit and finish</li> <li>• For Proud Installation - please adjust accordingly</li> <li>• Installation with KSK 1002 with a niche depth under 26" (660 mm) will require the location of the Electrical outlet(s) to be in adjacent cabinetry</li> </ul> |

\*Depth assumes a 3/4" panel, please adjust according to custom panel thickness

# Product and Cut-out Dimensions 54" Side-by-Side Combination



FOR FLUSH INSTALLATION

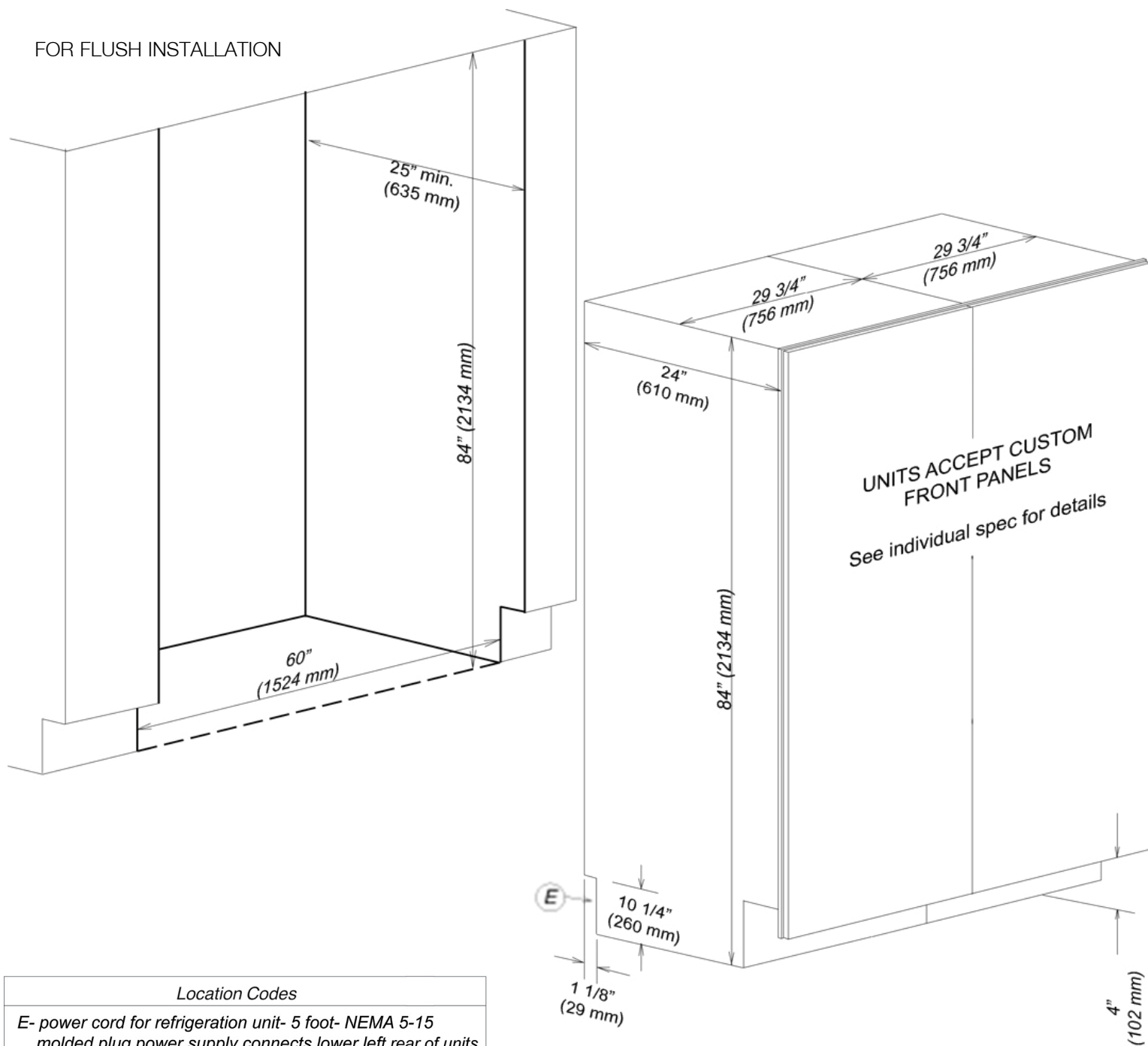


| Location Codes  |
|---|
| E- power cord for refrigeration unit- 5 foot- NEMA 5-15 molded plug power supply connects lower left rear of units  |
| Notes   |
| <ul style="list-style-type: none"> <li>• Merging kit must be used when combining units</li> <li>• All installations must be done in accordance with local codes</li> <li>• Sides of adjoining cabinets should be filled (flush to frame) to insure proper fit and finish</li> <li>• For Proud Installation - please adjust accordingly</li> <li>• Installation with KSK 1002 with a niche depth under 26" (660 mm) will require the location of the Electrical outlet(s) to be in adjacent cabinetry</li> </ul> |

\*Depth assumes a 3/4" panel, please adjust according to custom panel thickness



# Product and Cut-out Dimensions 60" Side-by-Side Combination



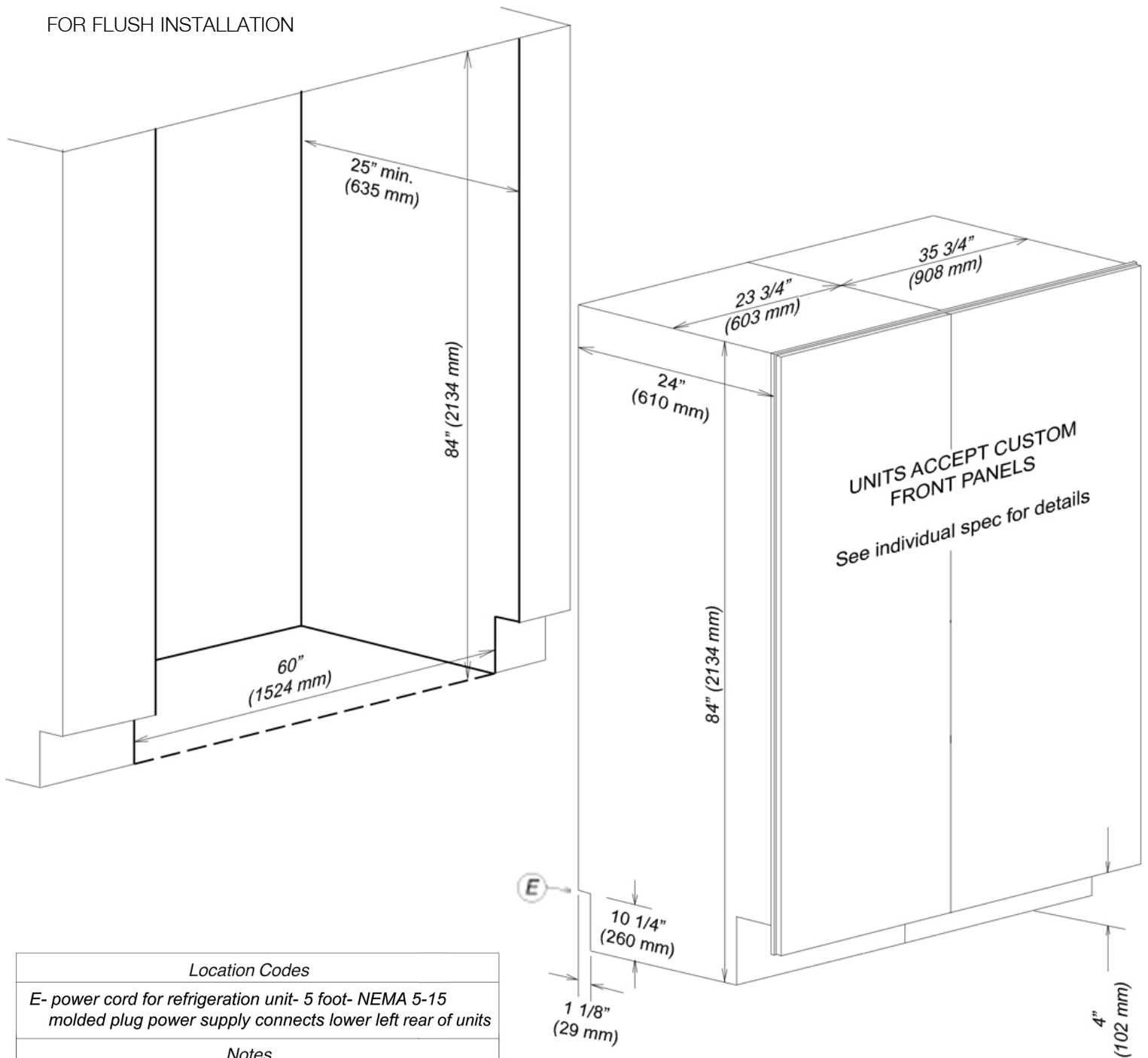
| Location Codes  |
|---|
| E- power cord for refrigeration unit- 5 foot- NEMA 5-15 molded plug power supply connects lower left rear of units  |
| Notes   |
| <ul style="list-style-type: none"> <li>• Merging kit must be used when combining units</li> <li>• All installations must be done in accordance with local codes</li> <li>• Sides of adjoining cabinets should be filled (flush to frame) to insure proper fit and finish</li> <li>• For Proud Installation - please adjust accordingly</li> <li>• Installation with KSK 1002 with a niche depth under 26" (660 mm) will require the location of the Electrical outlet(s) to be in adjacent cabinetry</li> </ul> |

\*Depth assumes a 3/4" panel, please adjust according to custom panel thickness

# Product and Cut-out Dimensions 60" Side-by-Side Combination



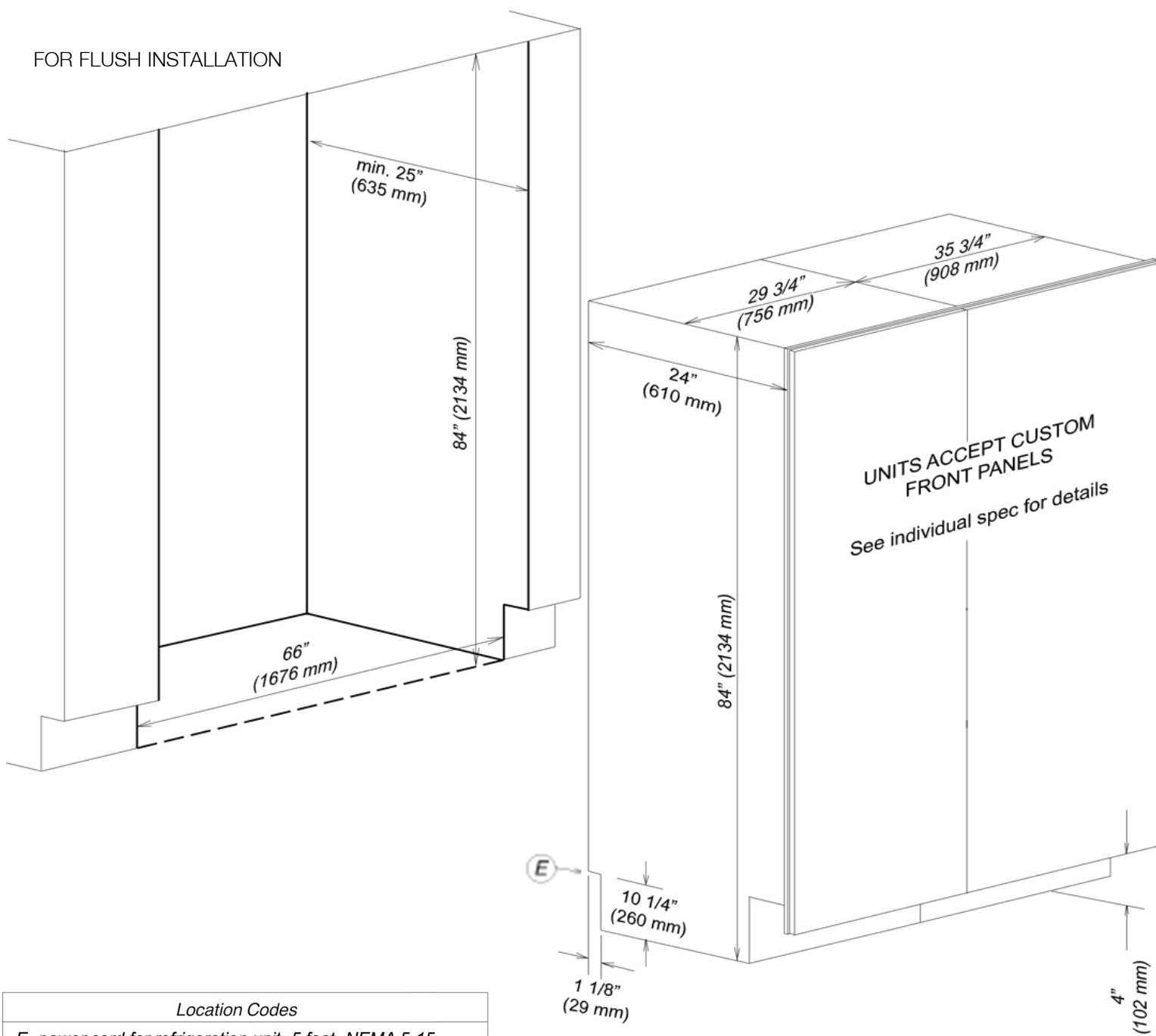
FOR FLUSH INSTALLATION



| Location Codes  |
|---|
| E- power cord for refrigeration unit- 5 foot- NEMA 5-15 molded plug power supply connects lower left rear of units  |
| Notes   |
| <ul style="list-style-type: none"> <li>• Merging kit must be used when combining units</li> <li>• All installations must be done in accordance with local codes</li> <li>• Sides of adjoining cabinets should be filled (flush to frame) to insure proper fit and finish</li> <li>• For Proud Installation - please adjust accordingly</li> <li>• Installation with KSK 1002 with a niche depth under 26" (660 mm) will require the location of the Electrical outlet(s) to be in adjacent cabinetry</li> </ul> |

\*Depth assumes a 3/4" panel, please adjust according to custom panel thickness

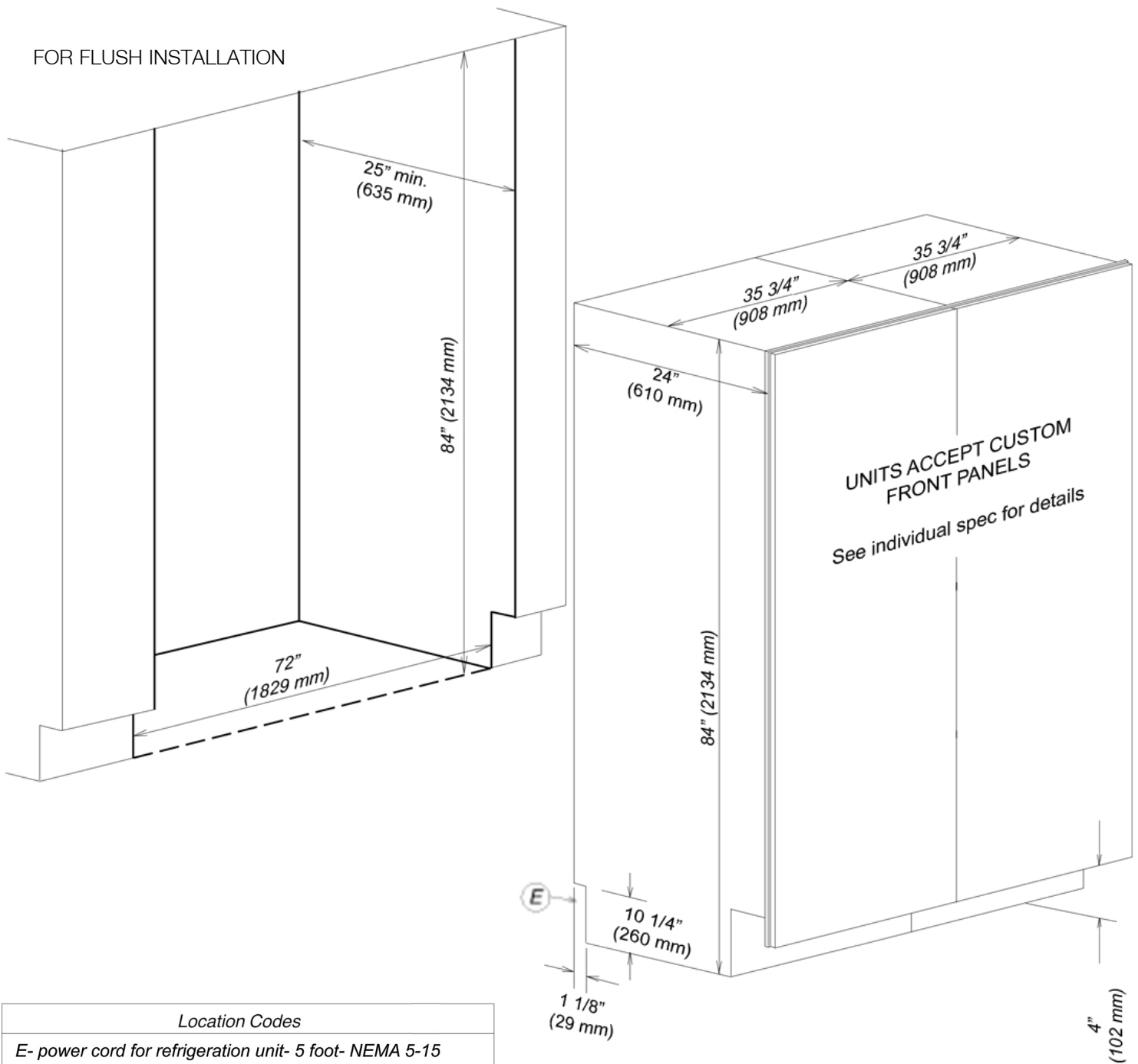
# Product and Cut-out Dimensions 66" Side-by-Side Combination



| Location Codes  |
|---|
| E- power cord for refrigeration unit- 5 foot- NEMA 5-15 molded plug power supply connects lower left rear of units  |
| Notes   |
| <ul style="list-style-type: none"> <li>• Merging kit must be used when combining units</li> <li>• All installations must be done in accordance with local codes</li> <li>• Sides of adjoining cabinets should be filled (flush to frame) to insure proper fit and finish</li> <li>• For Proud Installation - please adjust accordingly</li> <li>• Installation with KSK 1002 with a niche depth under 26" (660 mm) will require the location of the Electrical outlet(s) to be in adjacent cabinetry</li> </ul> |

\*Depth assumes a 3/4" panel, please adjust according to custom panel thickness

# Product and Cut-out Dimensions 72" Side-by-Side Combination



| Location Codes  |
|---|
| E- power cord for refrigeration unit- 5 foot- NEMA 5-15 molded plug power supply connects lower left rear of units  |
| Notes   |
| <ul style="list-style-type: none"> <li>• Merging kit must be used when combining units</li> <li>• All installations must be done in accordance with local codes</li> <li>• Sides of adjoining cabinets should be filled (flush to frame) to insure proper fit and finish</li> <li>• For Proud Installation - please adjust accordingly</li> <li>• Installation with KSK 1002 with a niche depth under 26" (660 mm) will require the location of the Electrical outlet(s) to be in adjacent cabinetry</li> </ul> |

\*Depth assumes a 3/4" panel, please adjust according to custom panel thickness