

# Fully Integrated 24" Wine Storage System

KWT 1613 Vi / KWT 1603 Vi



# Fully Integrated 24" Wine Storage System

## KWT 1613 Vi / KWT 1603 Vi



### KWT 1613 Vi / KWT 1603 Vi

#### Features:

- MasterCool controls
- ClearView lighting system
- 14 Rack Levels
- Stores up to 102 bottles
- FullView extendable shelves
- RemoteVision capable
- Acoustic door and temperature alarm
- Optical door and temperature alarm

#### SPECIFICATIONS

KWT 1603 Vi — Item 36160301USA - Right Hinged

KWT 1613 Vi — Item 36161301USA - Left Hinged

Overall Unit Width 23<sup>3</sup>/<sub>4</sub>" (603 mm)

Overall Unit Height 84" (2134 mm)

Overall Unit Depth 24" (610 mm)

#### Niche

Minimum Cabinet Opening Width 24" (610 mm)

Minimum Cabinet Opening Height 84" (2134 mm)

Minimum Cabinet Opening Depth 25" (635 mm)\*

#### Interior Volume

Volume 13.07 cu-ft (370.1 L)

#### Operational Altitudes

High Altitude Miele Wine will function up to 8200 ft (2500 m) in altitude. At altitudes above 8200 ft (2500 m) there is a risk of the glass door breaking due to changed air pressure conditions.

#### Electrical

Electrical Requirements - Volts/Amps 110V / 120V, 60Hz, 15 Amps  
In the case of side-by-side installations, a separate outlet must be used for each appliance.

Power Cord - Plug and length NEMA 5-15 plug, 5 ft (1.52 m)

Custom Panel Please refer to the manual for further details.

Maximum Panel Weight 137 lbs (62 kg)

Maximum Panel Thickness 1<sup>1</sup>/<sub>2</sub>" (38 mm)

Minimum Panel Thickness <sup>3</sup>/<sub>4</sub>" (19 mm)

#### Shipping

Shipping Weight 374.4 lbs (170 kg)

Shipping Dimensions 27<sup>1</sup>/<sub>2</sub>" W x 89<sup>13</sup>/<sub>16</sub>" H x 29<sup>1</sup>/<sub>4</sub>" D

#### Support

Call Miele (800) 999-1360

Miele Website ~www.mieleusa.com

20/20 Link ~@2020technologies.com

Please note:

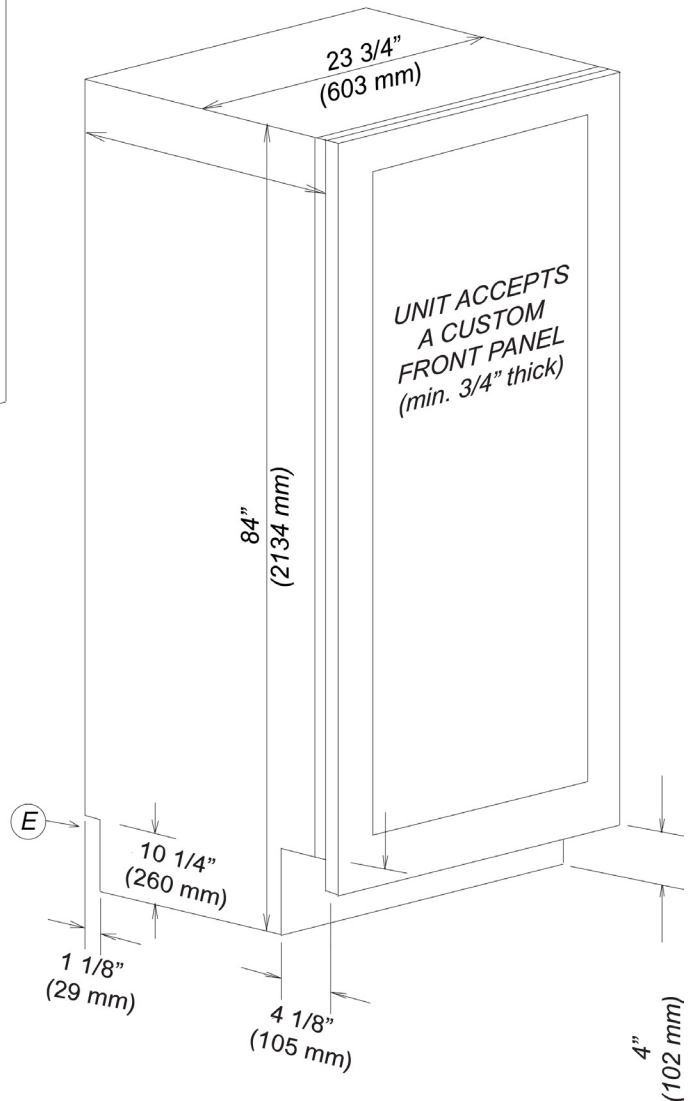
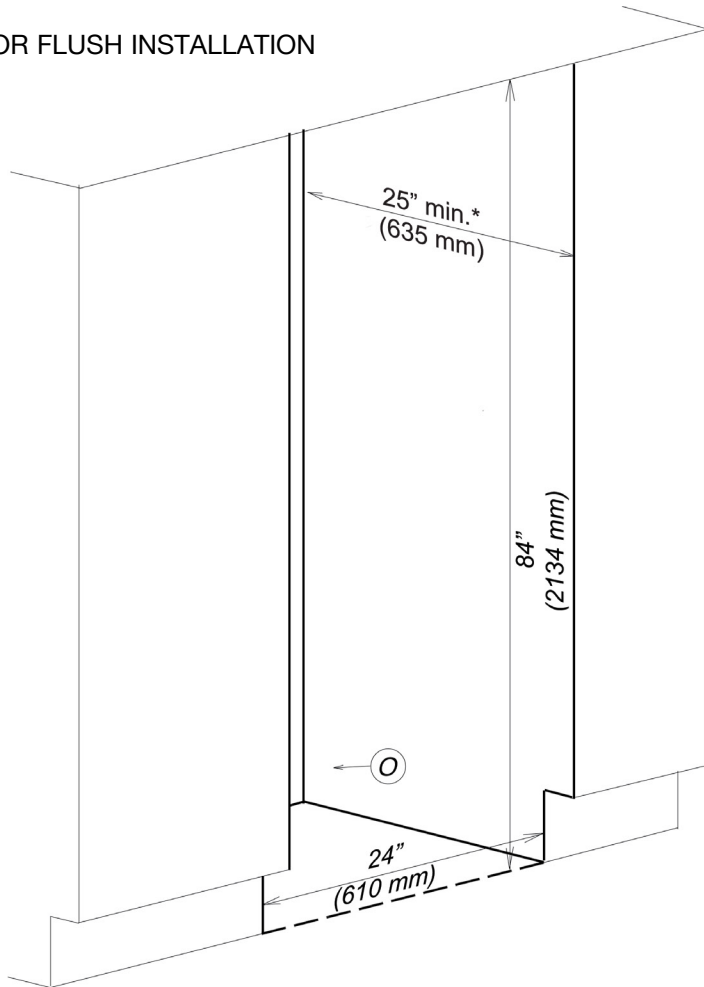
This specification sheet is for a single built-in unit.

When combining multiple MasterCool units side-by-side, please refer to the Merging Kit specification sheet.

# Fully Integrated 24" Wine Storage System KWT 1613 Vi / KWT 1603 Vi



FOR FLUSH INSTALLATION



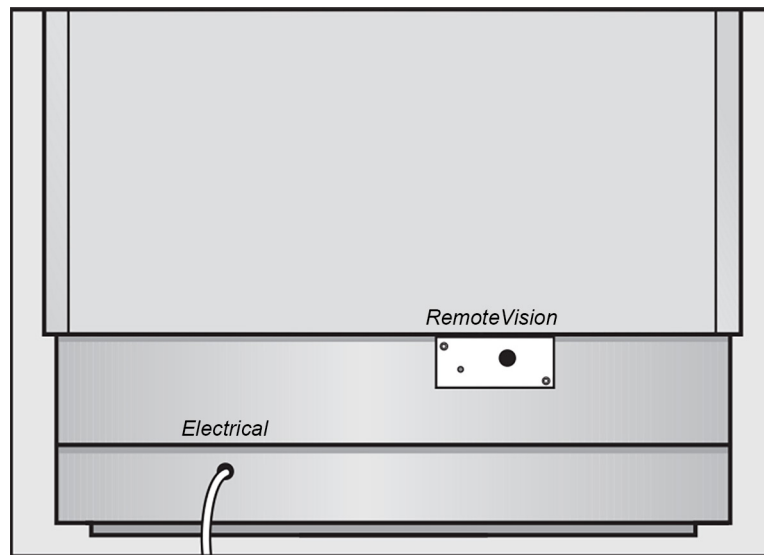
\* Niche depth assumes a 3/4" (19 mm) panel, please adjust according to custom panel thickness

Location Codes
E - 5 foot - Nema 5-15 molded plug power cord - connects lower left rear
O - Standard NEMA 5-15 Outlet - locate less than 9" above finished floor
W - 1/4" flexible water line - not included
Notes
<ul style="list-style-type: none"> <li>All Installations must be done in accordance with local codes</li> <li>Sides of adjoining cabinets should be filled (flush to frame) to insure proper fit and finish</li> <li>For side-by-side installation please refer to the Miele merging kit specification sheet - Some merge kits will require the location of the Electrical outlet(s) to be in adjacent cabinetry</li> </ul>

# Fully Integrated 24" Wine Storage System KWT 1613 Vi / KWT 1603 Vi

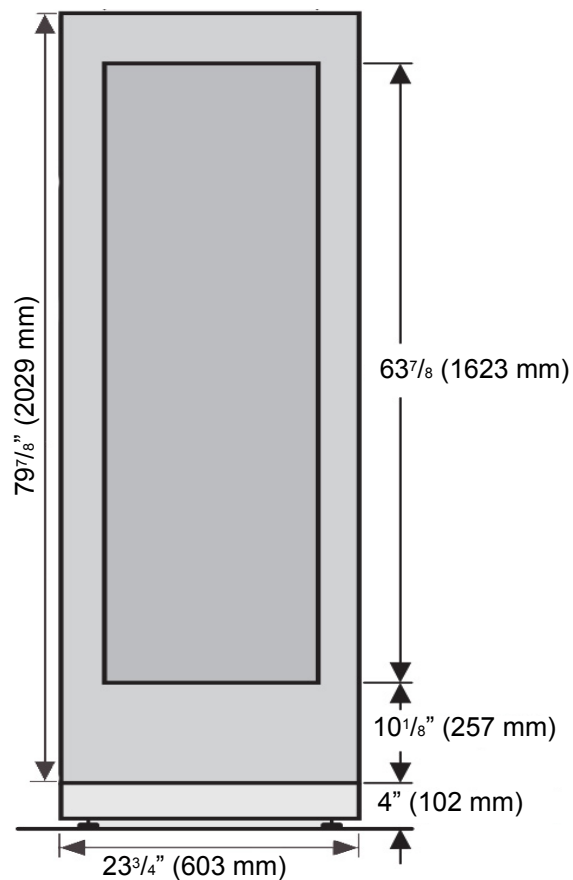


## POWER SUPPLY CONNECTION BACK VIEW



Electrical - 5 foot (1.52 m) - 120 Volt - 15 Amp -  
NEMA 5-15 molded plug

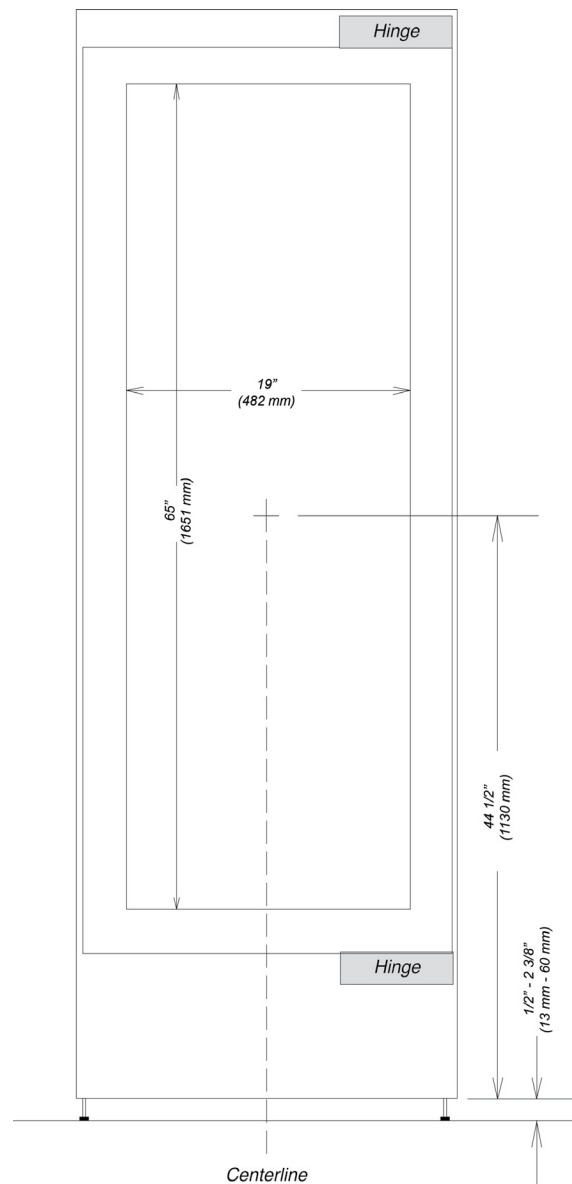
## DOOR PANEL DIMENSIONS KFP 2403 (Available as an accessory)



# Fully Integrated 24" Wine Storage System KWT 1613 Vi / KWT 1603 Vi



## GLASS DIMENSIONS FRONT VIEW



### Notes

- Centerpoint is 45 1/2" (1155 mm) with typical 84" (2134 mm) installation

# Fully Integrated 24" Wine Storage System

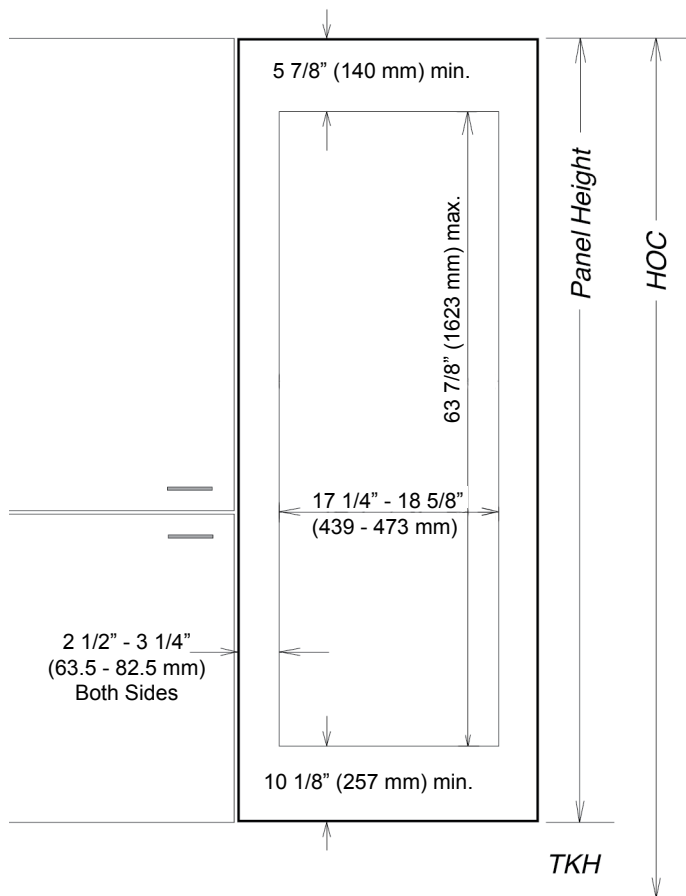
## KWT 1613 Vi / KWT 1603 Vi



### CUSTOM PANEL INSTALLATIONS

**These units do not come equipped with a front panel.** They are designed to accept a custom door panel supplied by the cabinet maker. Miele has a unique panel integration system which allows the panels to align with the surrounding cabinets.

Panel size is determined in the following manner:



**Panel Width:** 23 3/4" (603 mm) in all cases

**Thickness:** Minimum 3/4" (19 mm) outside frame

**Height:** Determined using the following calculation:

$$\text{Panel Height} = \text{HOC} - \text{TKH}$$

**HOC** = Total height of cabinet or side panel

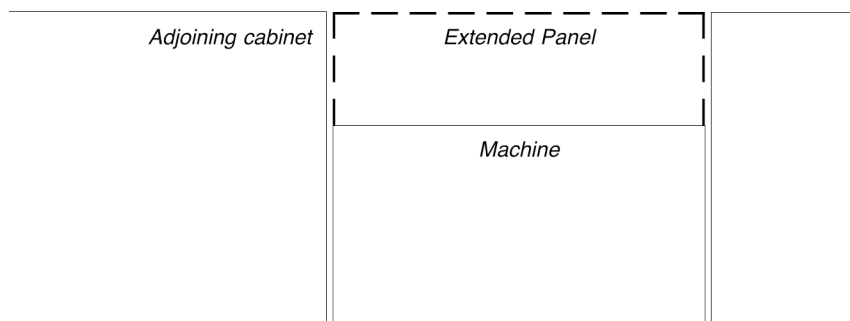
**TKH** = Toe-kick height

**Note:** Finish back side of panels to insure appearance  
Panel may extend above unit. This is **not** considered in height calculation

**Maximum panel weight** 137 Pounds

### Panel Notes

If the adjoining cabinets are taller than the height of machine (HOM) - the front panel may be extended accordingly. Simply maintain the toekick height and extend the panel the needed distance.



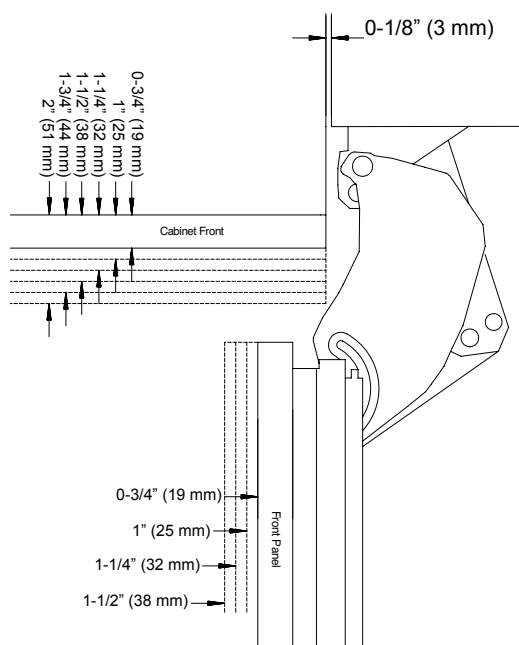
# Fully Integrated 24" Wine Storage System KWT 1613 Vi / KWT 1603 Vi



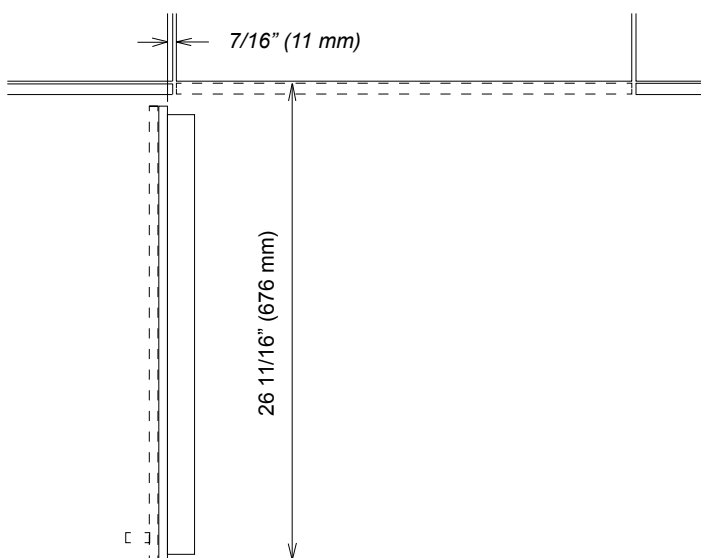
## HINGING DETAILS

### 90° Door

Thickness options



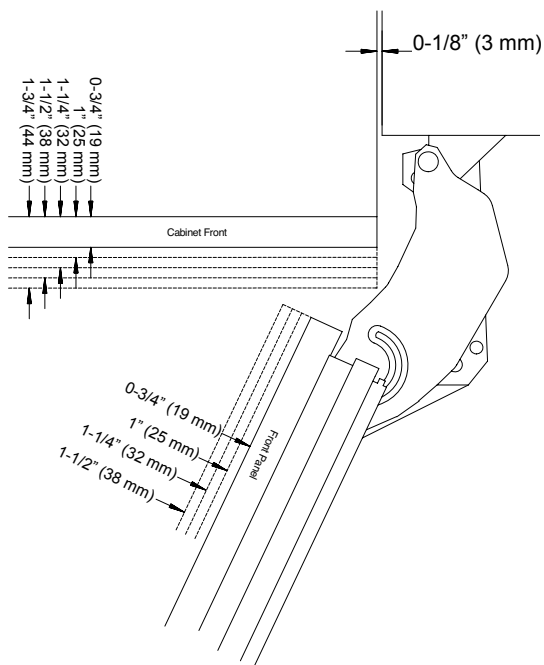
Door Swing



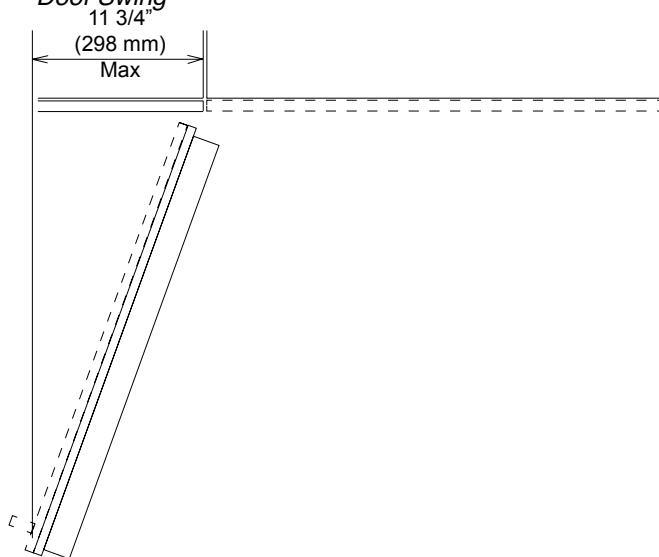
**NOTE:** Additional space needed depending on thickness of front panels and handle used

### 115° Door

Thickness options



Door Swing

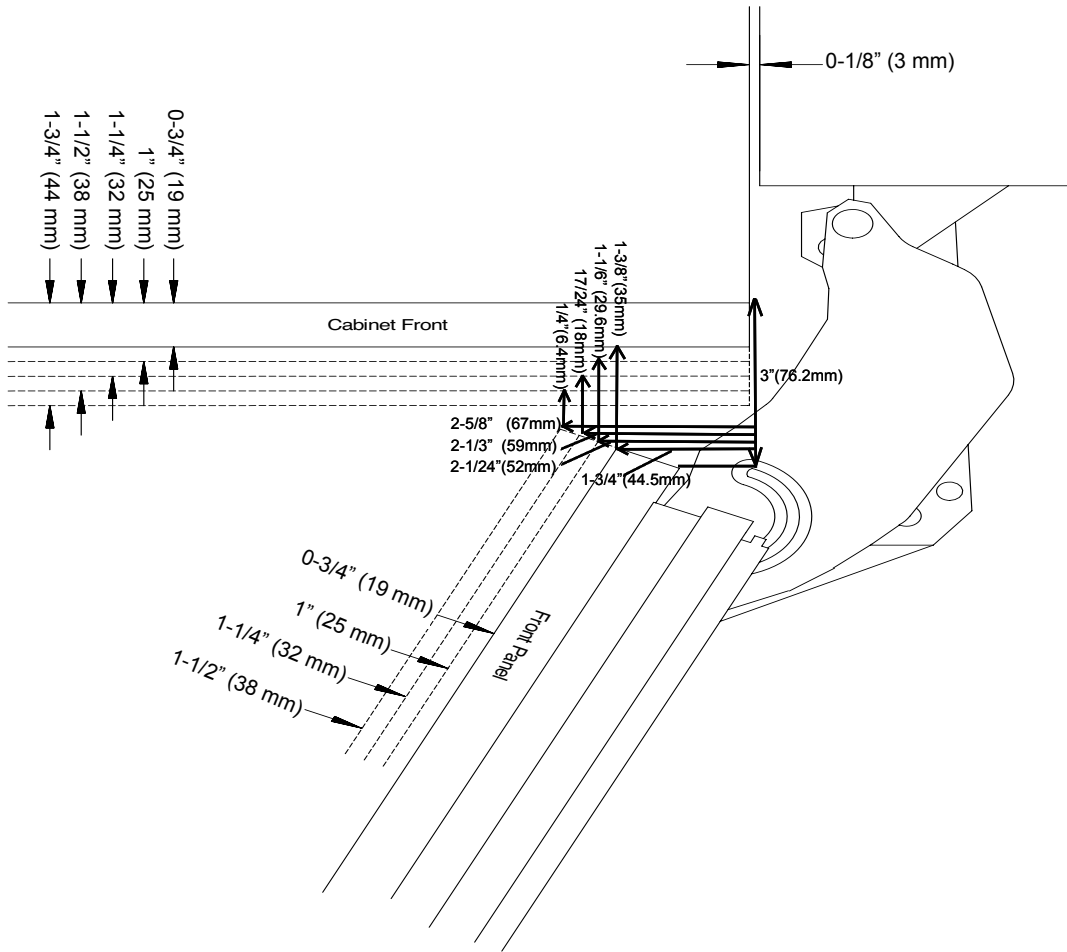


**NOTE:** Additional space needed depending on thickness of front panels and handle used

# Fully Integrated 24" Wine Storage System KWT 1613 Vi / KWT 1603 Vi



## HINGING DETAILS 115° OPENING

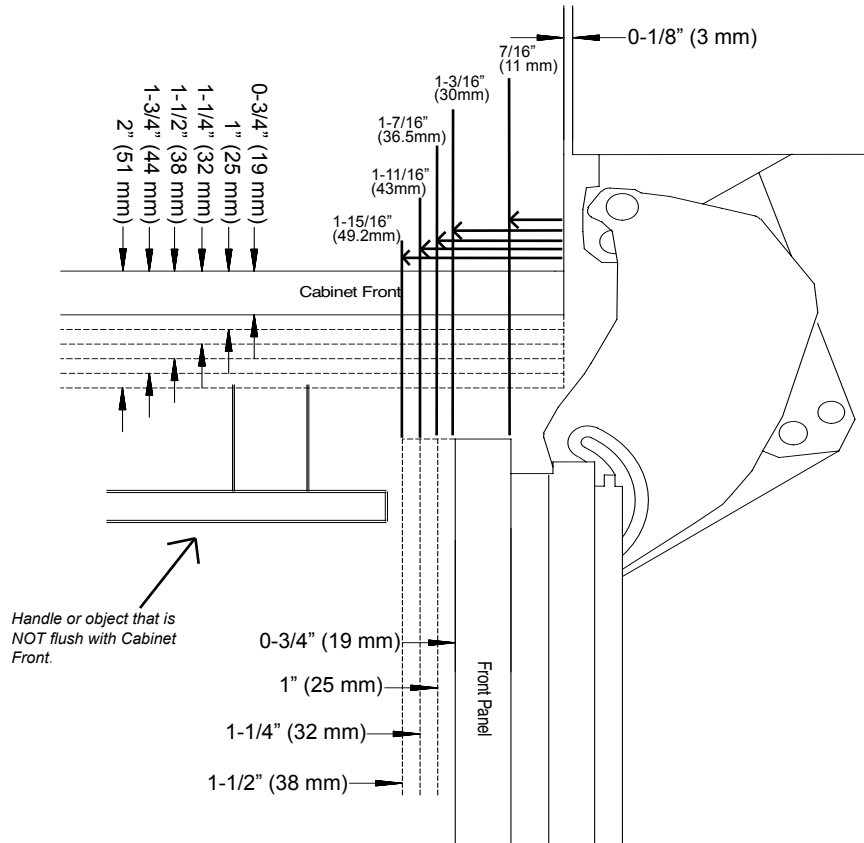




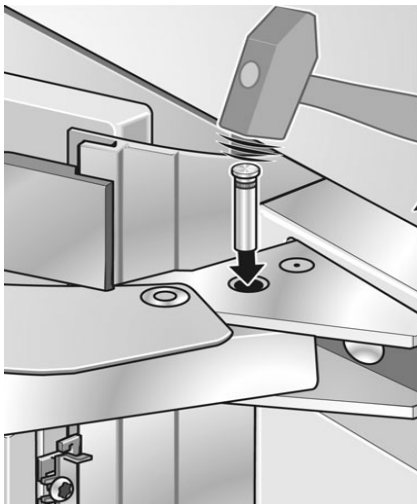
# Fully Integrated 24" Wine Storage System KWT 1613 Vi / KWT 1603 Vi



## HINGING DETAILS 90° OPENING



Handle or object that is NOT flush with Cabinet Front.



*When installing hinge side next to an appliance or object that is within range of the door panel, limit the door opening angle to 90°. This is done by installing the banking pin as illustrated. Insert the banking pin through the holes and drive in with a hammer.*