

## CVA 7440

### 24" Built-In Coffee Machine - PureLine

#### Features:

- WifiConn@ct - Monitor appliances from your mobile device
- Cup Sensor - automatically positions dispenser to the cup
- 24 + coffee and tea drinks

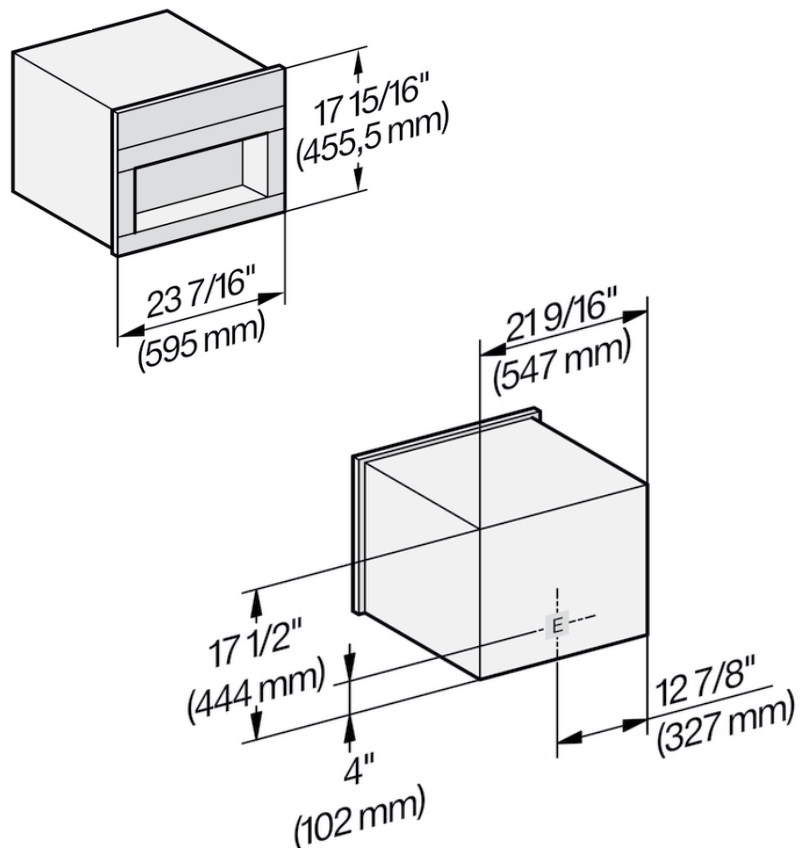


#### MATERIAL #

11733860

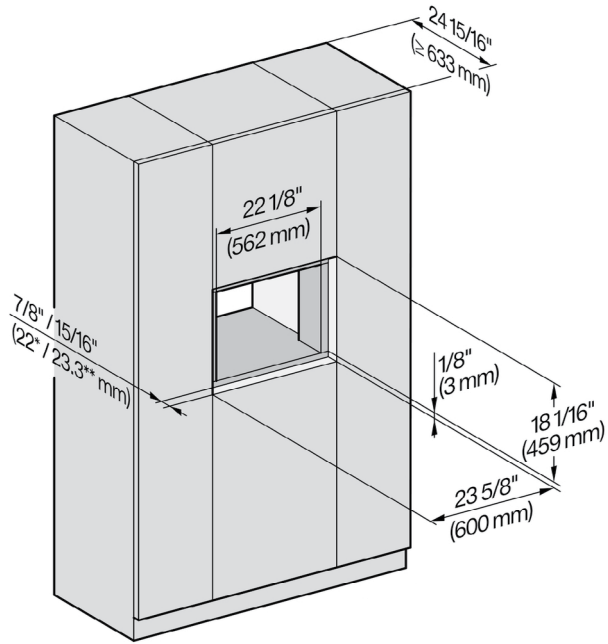
| SPECIFICATIONS                |  |
|-------------------------------|--|
| Overall Unit Dimensions       | 23 <sup>7</sup> / <sub>16</sub> " (595 mm) W x<br>17 <sup>15</sup> / <sub>16</sub> " (455.5 mm) H x<br>17 <sup>3</sup> / <sub>4</sub> " (451 mm) D |
| <b>Niche</b>                  |  |
| Minimum Cabinet Niche Opening | 22 <sup>1</sup> / <sub>8</sub> " (562 mm) W x<br>17 <sup>11</sup> / <sub>16</sub> " (450 mm) H x<br>24" (610 mm) D                                 |
| <b>Electrical</b>             |  |
| Electrical Requirements       | 120V, 60Hz, 15 Amps  |
| Power Cord                    | NEMA 5-15 plug, 6 ft (1.8 m)   |
| <b>Shipping</b>               |  |
| Shipping Weight               | 63.5 lbs (28.8 kg)   |
| Shipping Dimensions           | 22 <sup>1</sup> / <sub>16</sub> " (560 mm) W x<br>22 <sup>1</sup> / <sub>16</sub> " (560 mm) H x<br>25 <sup>3</sup> / <sub>16</sub> " (640 mm) D   |

#### PRODUCT DIMENSIONS

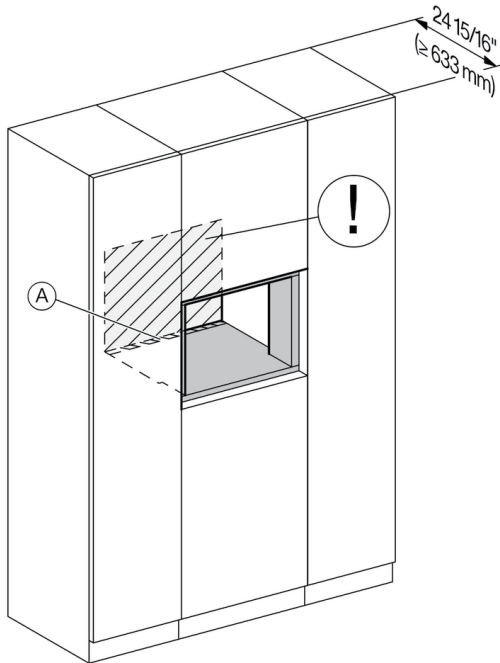
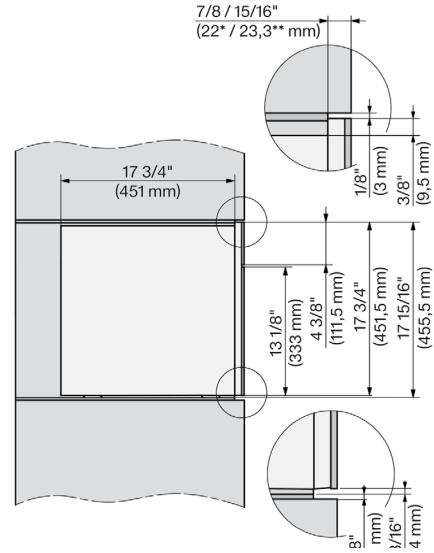


## FLUSH CUTOUT DIMENSIONS

Front View



Side View



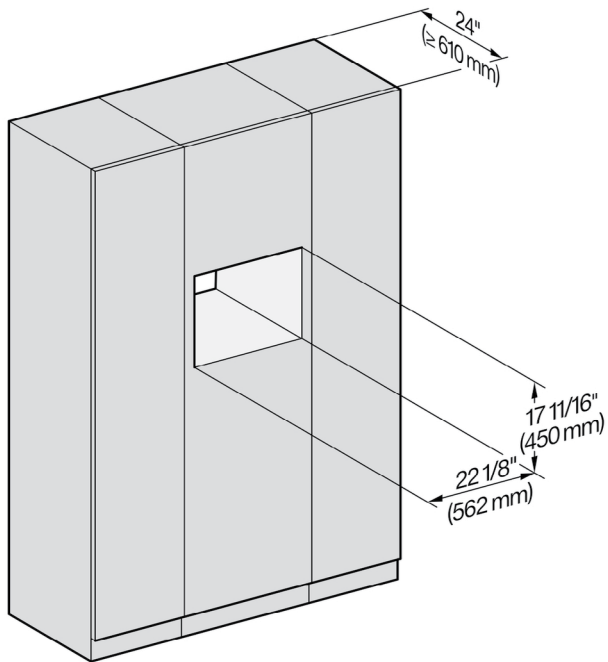
A - Cut-out (4" x 28" [100 mm x 720 mm]) in the bottom of the cabinet for the power cord and Ventilation

ⓘ - Electrical and water supplies are recommended to be placed in adjacent cabinetry.

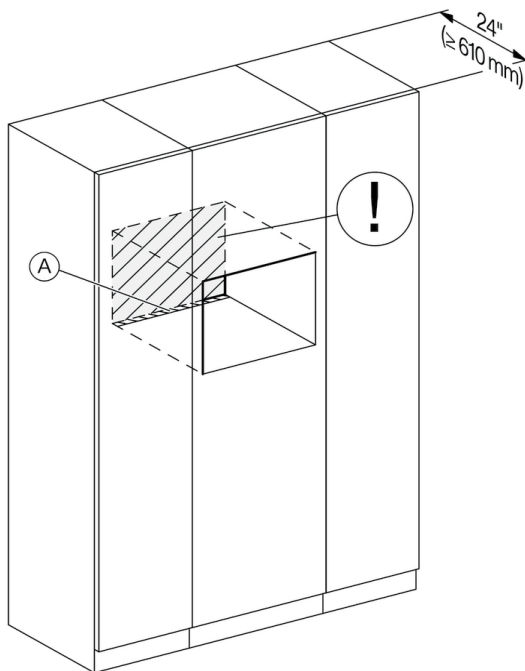
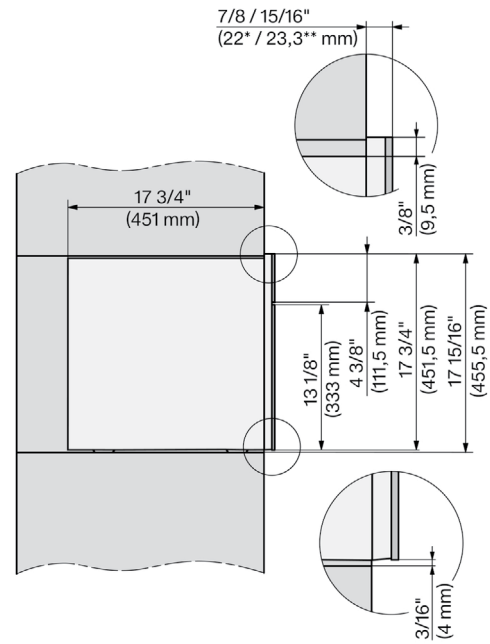
Additional cabinet depth is required when placing the electrical and water supplies behind the appliance.

## PROUD CUTOUT DIMENSIONS

Front View



Side View



A - Cut-out (4" x 28" [100 mm x 720 mm]) in the bottom of the cabinet for the power cord and Ventilation

Ⓢ - Electrical and water supplies are recommended to be placed in adjacent cabinetry.

Additional cabinet depth is required when placing the electrical and water supplies behind the appliance.