

CVA 7775

30" Built-In Coffee Machine With DirectWater - ContourLine

Features:

- M-Touch Display - Simple to use touch controls
- WifiConn@ct - Monitor appliances from your mobile device
- Coffee Select - choose between up to 3 different bean varieties
- AutoClean and AutoDescale - run most maintenance programs automatically

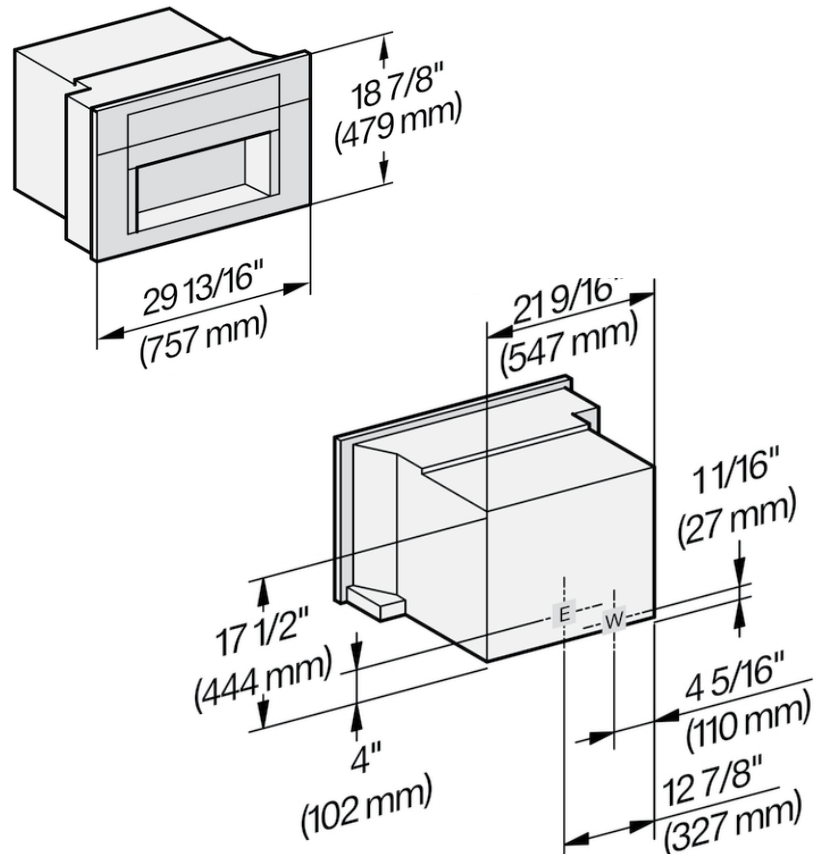


MATERIAL

11733820

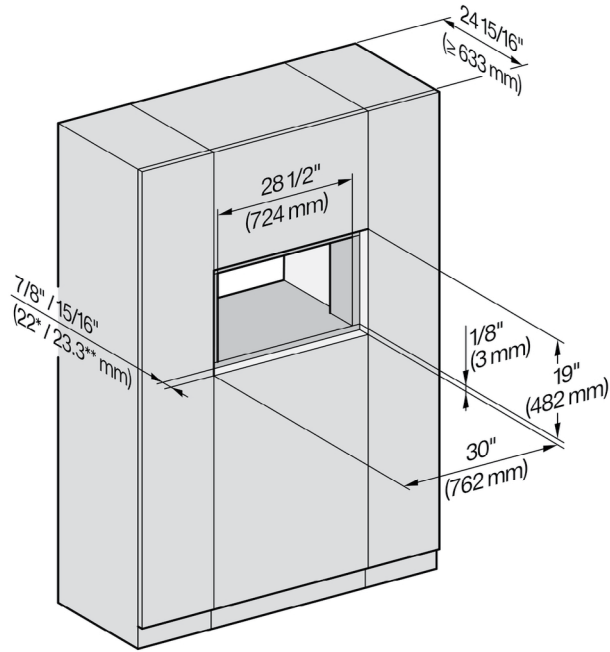
SPECIFICATIONS	
Overall Unit Dimensions	29 ¹³ / ₁₆ " (757 mm) W x 18 ⁷ / ₈ " (477 mm) H x 18 ⁵ / ₈ " (479 mm) D
Niche	
Minimum Cabinet Niche Opening	28 ¹ / ₂ " (724 mm) W x 18 ¹ / ₉ " (460 mm) H x 24" (610 mm) D
Plumbing	
Water Supply Requirements	Connect to a cold water supply only. Must be connected to a shut-off valve. The water shut-off valve must be accessible after installation. The water pressure must be between 14.5 psi (1 bar) and may not exceed 145 psi (10 bar). If the pressure is higher than 145 psi (10 bar), a pressure reducing valve must be installed.
Water Connection Line	³ / ₄ " BSP to ¹ / ₄ " Compression fitting is supplied. Suitable ¹ / ₄ " O.D flexible water line or copper piping is not supplied. Maximum water line length 4'11" (1.5 m).
Electrical	
Electrical Requirements	120V, 60Hz, 15 Amps
Power Cord	NEMA 5-15 plug, 6 ft (1.8 m)
Shipping	
Shipping Weight	83.7 lbs (38 kg)
Shipping Dimensions	32 ³ / ₄ " (830 mm) W x 22 ⁷ / ₈ " (580 mm) H x 23 ¹ / ₁₆ " (585 mm) D

PRODUCT DIMENSIONS

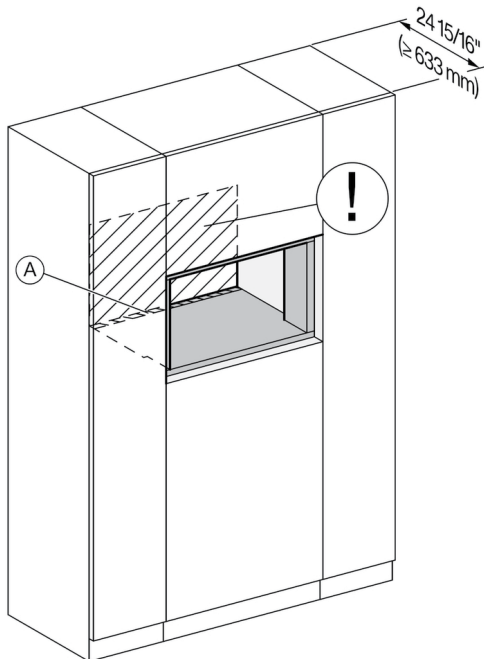
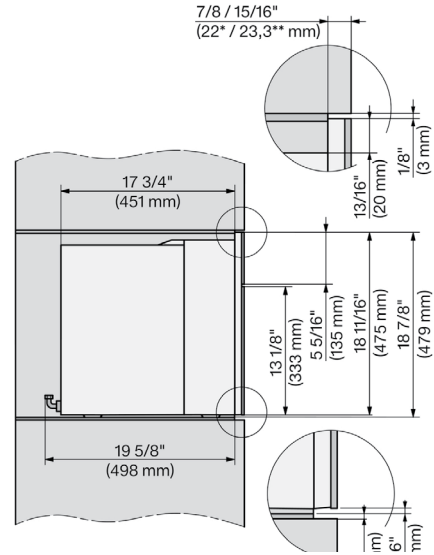


FLUSH CUTOUT DIMENSIONS

Front View



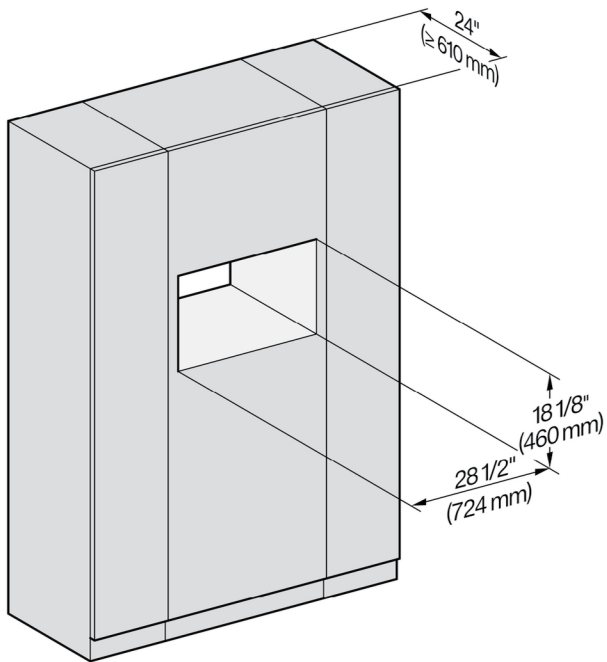
Side View



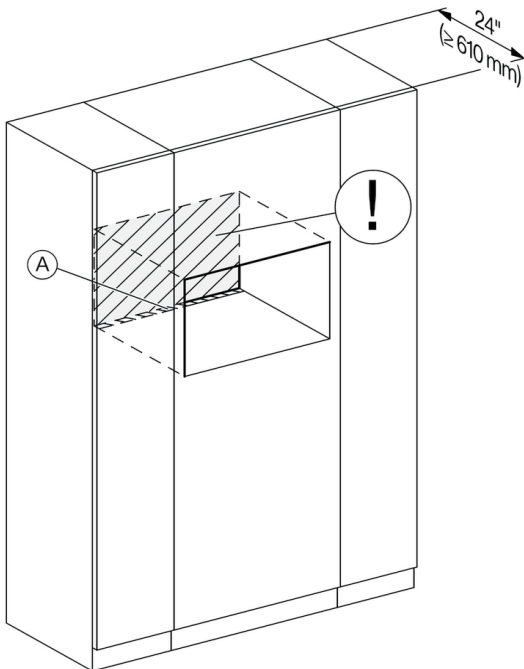
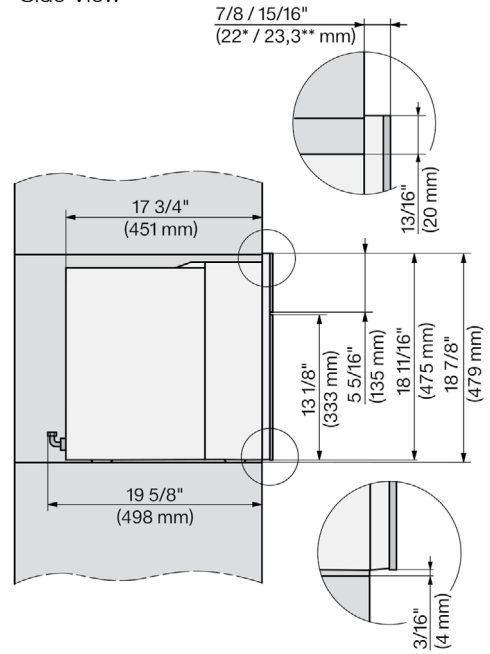
- A - Cut-out (4" x 28" [100 mm x 720 mm]) in the bottom of the cabinet for the power cord and Ventilation
- ⓘ - Electrical and water supplies are recommended to be placed in adjacent cabinetry.
Additional cabinet depth is required when placing the electrical and water supplies behind the appliance.

PROUD CUTOUT DIMENSIONS

Front View



Side View



A - Cut-out (4" x 28" [100 mm x 720 mm]) in the bottom of the cabinet for the power cord and Ventilation

ⓘ - Electrical and water supplies are recommended to be placed in adjacent cabinetry.

Additional cabinet depth is required when placing the electrical and water supplies behind the appliance.