

# ContourLine Plumbed 24" Combi-Steam Oven

DGC 6705-1 XL



# ContourLine Plumbed Combi-Steam Oven DGC 6705-1 XL



## DGC 6705-1 XL

### Features:

- M Touch innovative and revolutionary controls are both easy-to-operate and navigate. An intuitive swipe of the screen will quickly lead you to your desired selection
- MultiSteam technology delivers powerful external steam generation and optimum steam distribution via 6 inlet ports
- Wired roast probe for perfect roasting
- 3-in-1 appliance
  1. True European convection oven
  2. Steam oven
  3. Combination of steam and convection oven
- MasterChef and MasterChef Gourmet menus offer over 150 food types to cook to perfection
- XL stainless steel cavity
- Lift up control panel conceals water and condensate container (both containers are dishwasher-safe)
- ComfortSwivel handle moves with the motion of your wrist, creating a more ergonomic feel when opening and closing the oven door



## SPECIFICATIONS

### DGC 6705-1 XL — Item 23670574USA

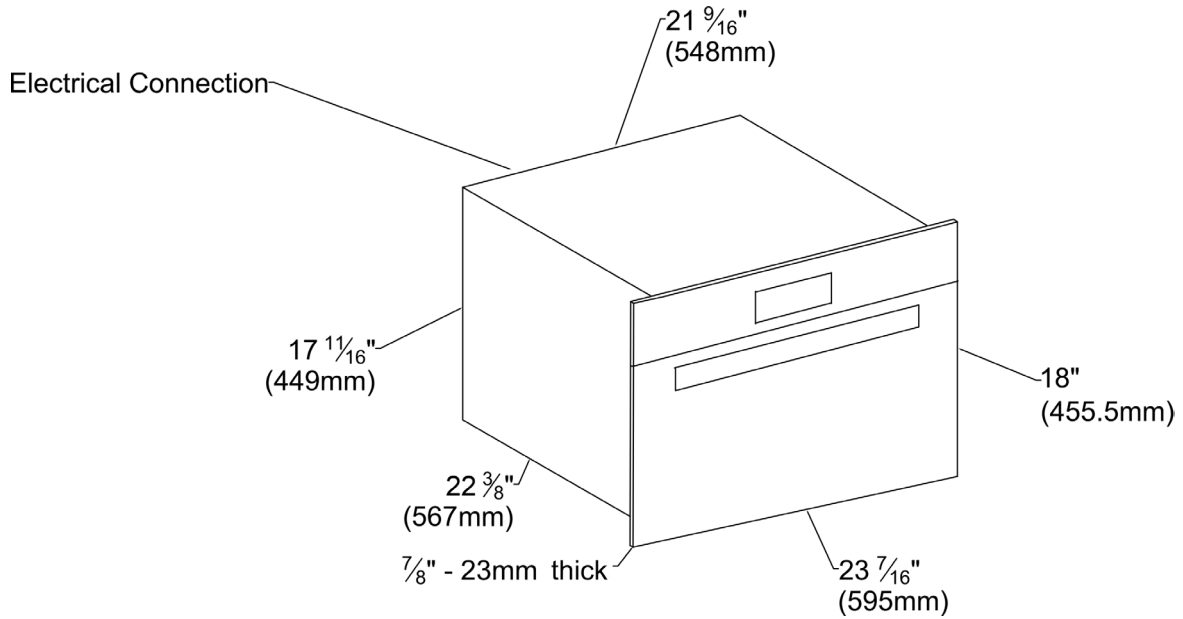
Overall Fascia Dimensions	23 <sup>7</sup> / <sub>16</sub> " (595 mm) W x 18" (455.5 mm) H x 7 <sup>1</sup> / <sub>8</sub> " (23 mm) D
Overall Unit Width - Excluding Fascia Dimension	21 <sup>9</sup> / <sub>16</sub> " (548 mm)
Overall Unit Height - Excluding Fascia Dimension	17 <sup>11</sup> / <sub>16</sub> " (449 mm)
Overall Unit Depth - Excluding Fascia Dimension	22 <sup>3</sup> / <sub>8</sub> " (567 mm)
Oven Door Clearance	12 <sup>9</sup> / <sub>16</sub> " (319 mm)
<b>Built-In</b>	
Minimum Opening Width	22 <sup>1</sup> / <sub>16</sub> " (560 mm)
Minimum Opening Height	17 <sup>11</sup> / <sub>16</sub> " (450 mm)
Minimum Opening Depth	22 <sup>1</sup> / <sub>2</sub> " (572 mm)
Minimum Base Support	60 lbs
Additional Cut-Outs Required	Venting cut-out required 19 <sup>11</sup> / <sub>16</sub> " x 1 <sup>9</sup> / <sub>16</sub> " (500 x 40 mm)
<b>Plumbing</b>	
Water Supply Requirements	Connect to a cold water supply with a inline water filter only. Must be connected to a shut-off valve. The water shut-off valve must be accessible after installation. The water pressure must be between 14.5 psi (1 bar) and may not exceed 87.02 psi (6 bar). If the pressure is higher than 87.02 psi (6 bar), a pressure reducing valve must be installed. The supplied hose has a length of 59" (1.5 m). The hose must not be shortened.
Drainage Requirements	Drain hose loop may be positioned at or above the flood level of the sink or drain board to which it is connected to provide the proper air gap. The top of the drain hose must not be higher than 19 <sup>11</sup> / <sub>16</sub> " (500 mm) to where it connects to the drain trap. The drain hose must not be shortened. See installation manual for additional information.
Water Intake Hose Connection	Supplied hose: flexible braided hose 9'10" (3 m) with a 3/8" compression fitting for connection to a shut off valve. The hose must not be shortened.
Drain Hose Connection	Supplied hose: flexible pastic hose 9'10" (3 m) with a 3/4" end for connection to siphon. The plastic drain hose supplied must not be shortened.
<b>Electrical</b>	
Electrical Requirements	208V/240V, 60Hz, 20A
Power Rating	240V - 3.7 kw 208V - 3.2 kw
Power Cord	Molded plug - NEMA 6-20, power cord 5 ft (1.5 m)
<b>Shipping</b>	
Shipping Weight	65 lbs
Shipping Dimensions	26 <sup>7</sup> / <sub>32</sub> " (666 mm) W x 21 <sup>5</sup> / <sub>8</sub> " (549 mm) H x 23 <sup>1</sup> / <sub>16</sub> " (535 mm) D
<b>Support</b>	
Call Miele	(800) 999-1360
Miele Website	☞www.mieleusa.com
20/20 Link	☞2020technologies.com

# ContourLine Plumbed Combi-Steam Oven DGC 6705-1 XL

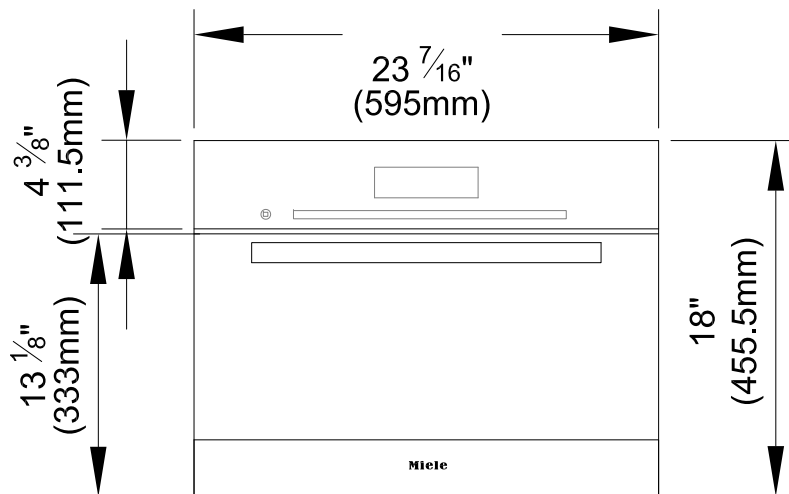


## PRODUCT VIEWS

Isometric View



Front View

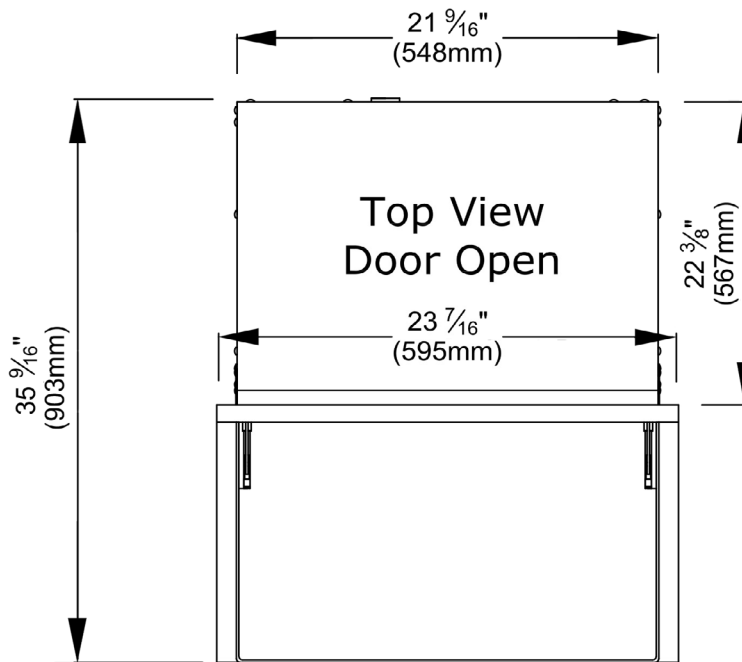


# ContourLine Plumbed Combi-Steam Oven DGC 6705-1 XL

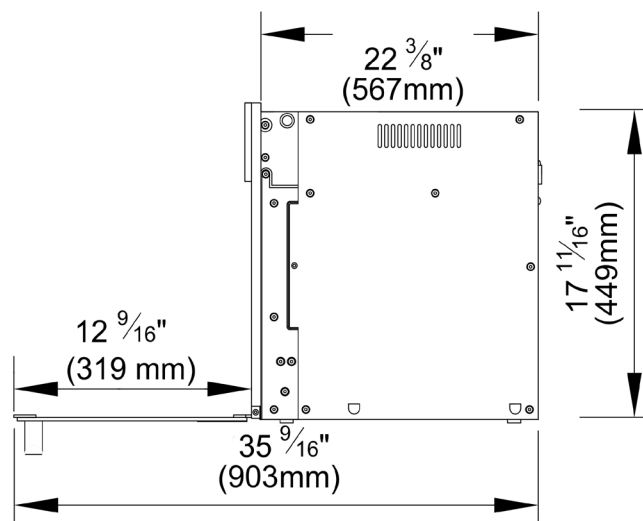


## INSTALLATION SPECIFICATIONS

Top View, Door Open



Side View, Door Open

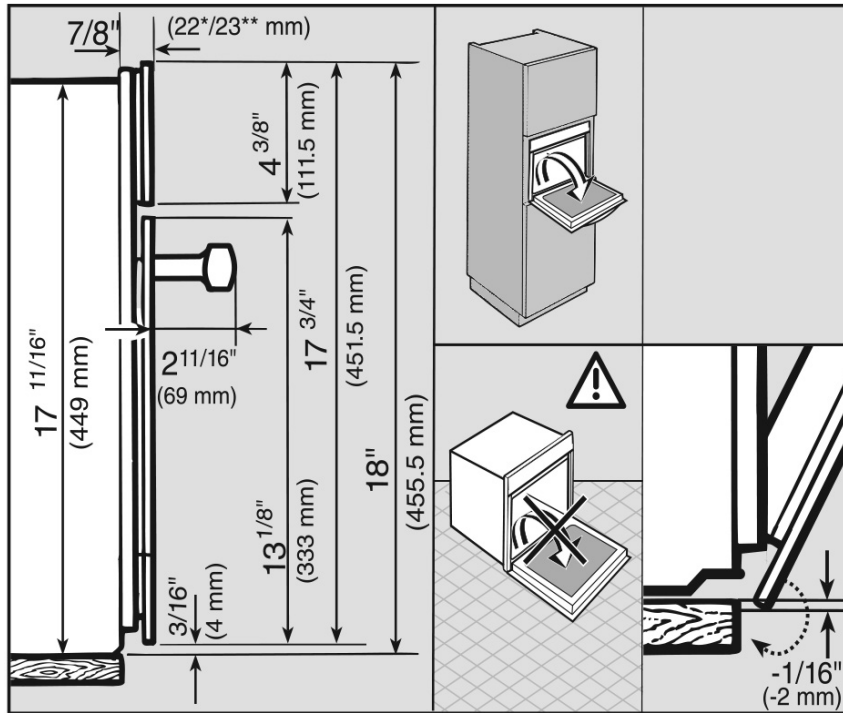


# ContourLine Plumbed Combi-Steam Oven DGC 6705-1 XL



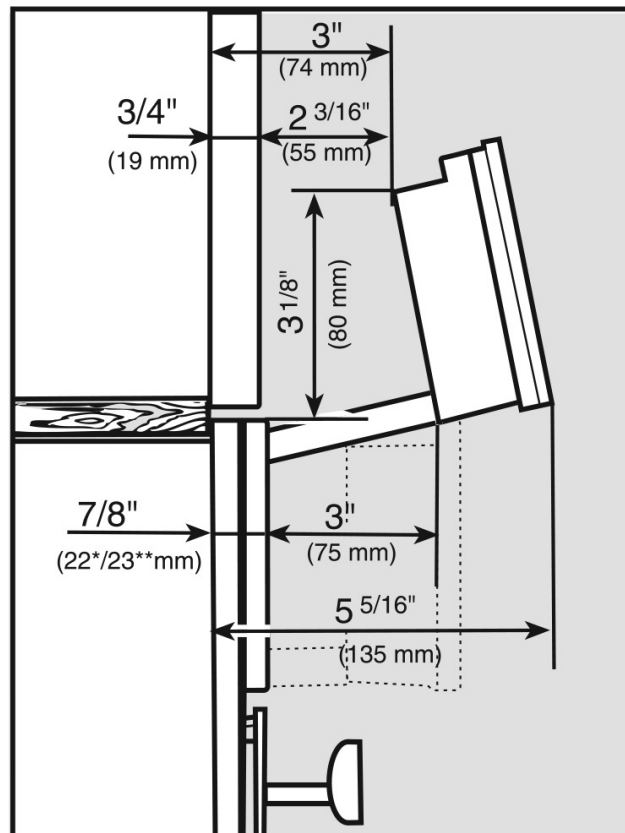
## INSTALLATION SPECIFICATIONS

Door Swing and Face Detail



- \* Appliances with glass front
- \*\* Appliances with metal front

Control Panel Swivel View



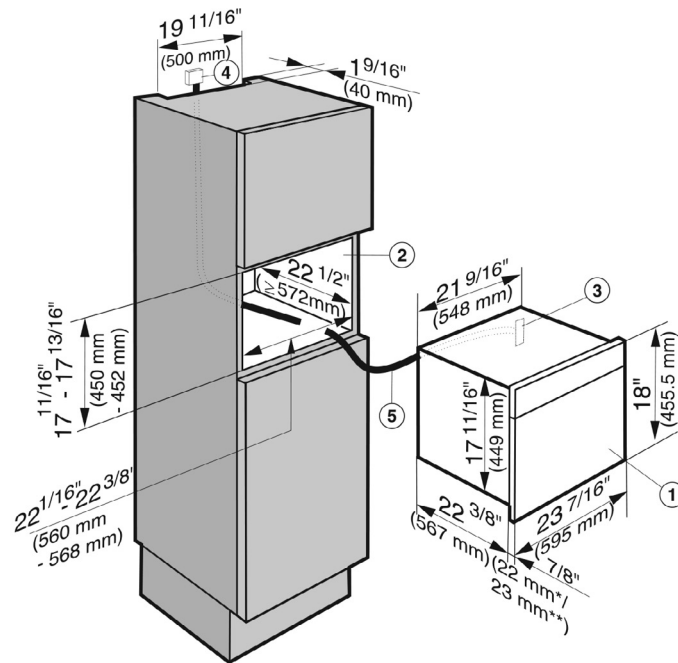
- \* Appliances with glass front
- \*\* Appliances with metal front

# ContourLine Plumbed Combi-Steam Oven DGC 6705-1 XL



## INSTALLATION SPECIFICATIONS

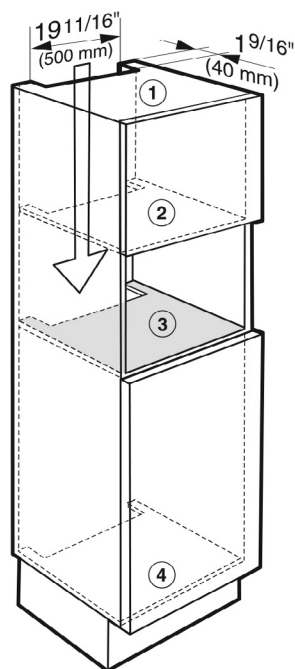
### Wall Cabinet Installation



- ① Steam oven
- ② Niche
- ③ Pass-through for the power cord
- ④ Recommended position for electrical connection
- ⑤ Power cord

\* Glass front / \*\* Metal front

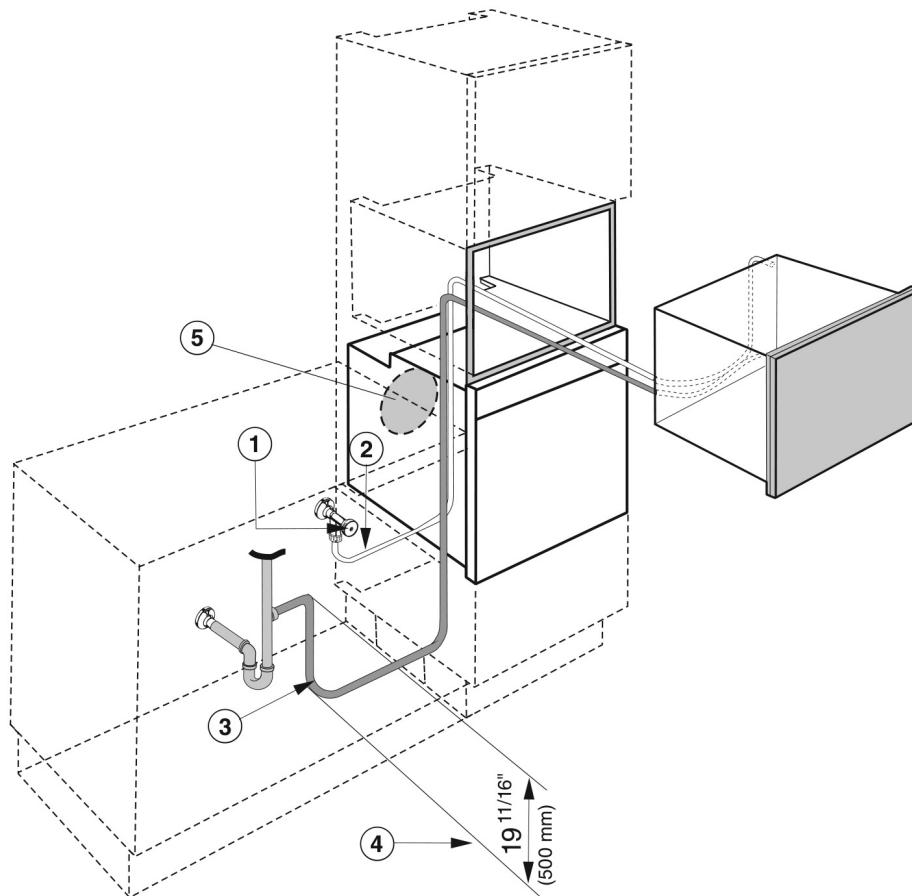
### Wall Cabinet Installation — Cut-outs for venting the appliance and routing of the water hoses



- ① Cut-out in top of unit (for ventilation)
- ② Cut-out in the interim shelf above the installation niche (for ventilation)
- ③ Cut-out in the interim shelf below the installation niche (for plumbing)
- ④ Cut-out in unit floor (for plumbing)

## INSTALLATION SPECIFICATIONS

### Water Intake / Drain Connection



- ① Water supply valve (cold water connection)
- ② Water intake hose, L = 9' 10 1/8" (3,000 mm)
- ③ Drain hose, L = 9' 10 1/8" (3,000 mm)
- ④ The top end of the drain hose to the inlet of the odor trap must not be higher than 19 11/16" (500 mm)
- ⑤ Air intake grilles

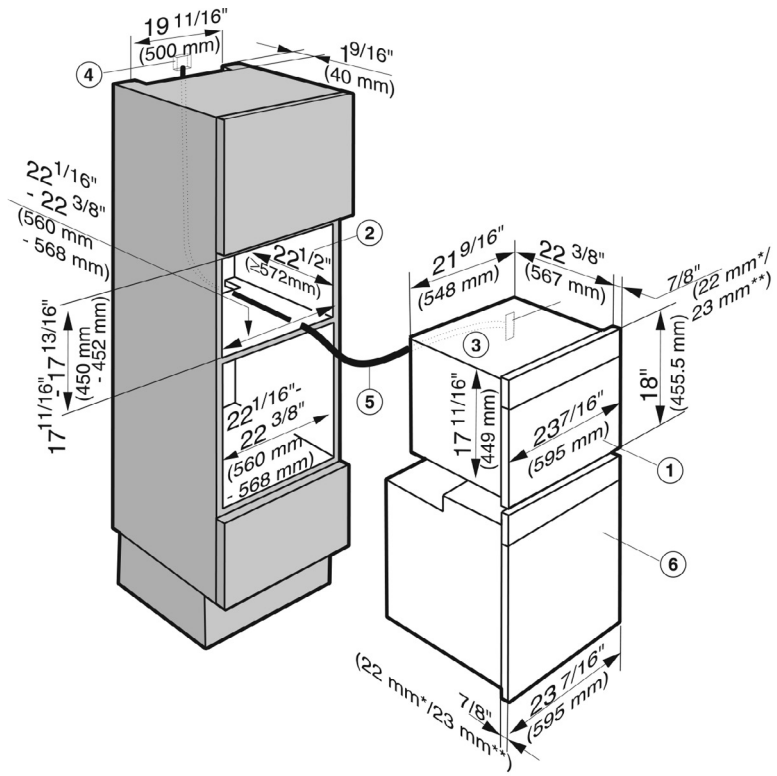
Incorrectly laid water hoses can damage the steam oven.  
Important: If the appliance is installed in conjunction with an oven, ensure that the water intake and drain hoses are not trapped behind its opening.

# ContourLine Plumbed Combi-Steam Oven DGC 6705-1 XL



## INSTALLATION SPECIFICATIONS

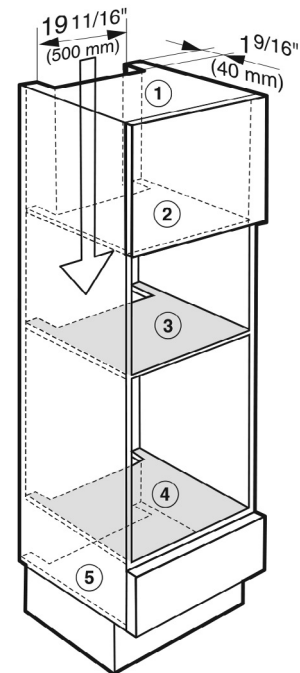
### Installation Above 24" Oven



- ① Steam oven
- ② Niche
- ③ Pass-through for the power cord
- ④ Recommended position for electrical connection
- ⑤ Power cord
- ⑥ Oven

\* Glass front / \*\* Metal front

### Installation Above 24" Oven — cut-outs for venting the appliances and routing of the water hoses



For the oven ventilation cut-out, please see the information in the oven installation instructions.

- ① Cut-out in top of unit (for ventilation)
- ② Cut-out in the interim shelf above the installation niche (for ventilation)
- ③ Cut-out in the interim shelf below the installation niche of the steam oven (for plumbing)
- ④ Cut-out in the interim shelf below the installation niche of the oven (for plumbing)
- ⑤ Cut-out in unit floor (for plumbing)

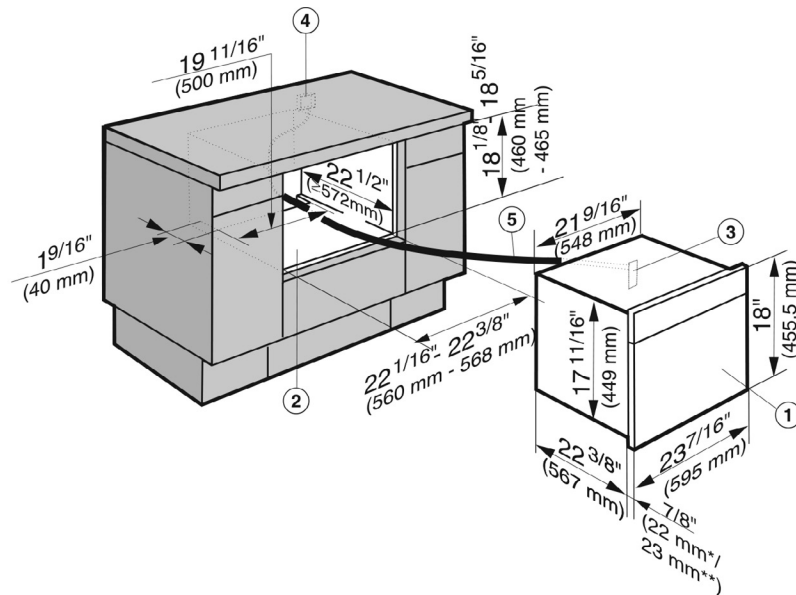


# ContourLine Plumbed Combi-Steam Oven DGC 6705-1 XL



## INSTALLATION SPECIFICATIONS

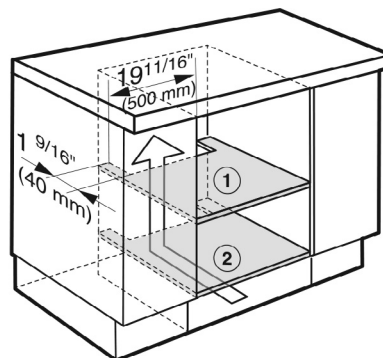
### Under Counter Installation



- ① Steam oven
- ② Niche
- ③ Inlet for the power cable
- ④ Recommended position for electrical outlet
- ⑤ Power cable

\* Glass front / \*\* Metal front

Under Counter Installation —  
cut-outs for venting the appliance  
and routing of the water hoses



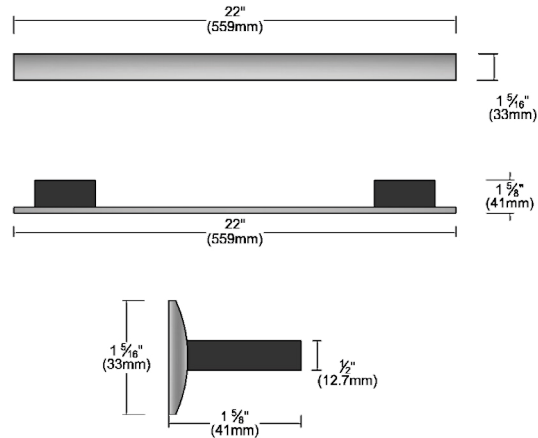
- ① Cut-out in the center shelf under the building-in niche
- ② Cut-out in cabinet base

# ContourLine Plumbed Combi-Steam Oven DGC 6705-1 XL



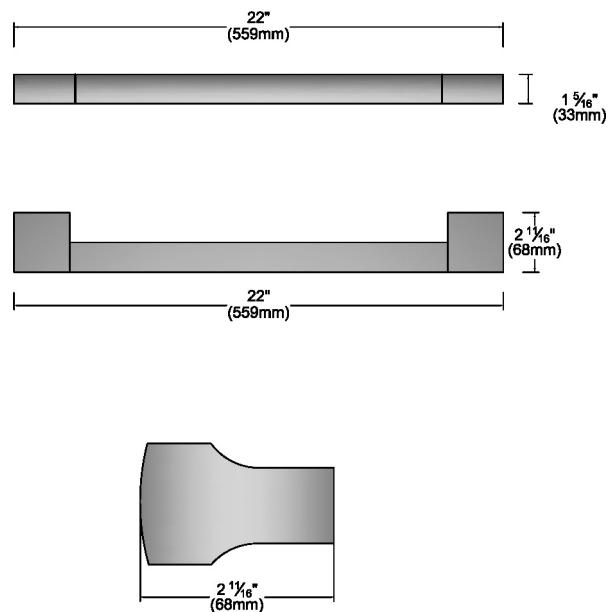
## HANDLE DETAILS

All Miele Signature And PureLine  
Handle Dimensions



Please note hinges may require adjusting or replacing when changing from a ContourLine Handle to a PureLine or Miele Signature Handle.

All ContourLine Handle  
Dimensions



Please note hinges may require adjusting or replacing when changing from a PureLine or Miele Signature Handle to a ContourLine Handle.