

DGC 7470 XL 30" Combi-Steam Oven - PureLine and VitroLine

Features:

- Combi-Steam Ovens: Steam ovens with full fledged oven function
- Lift up panel - conveniently stores the water containers
- Dual Steam - quickly and evenly distribute steam for perfect cooking results
- Mix & Match - use your Miele@home app or the WiFi enabled appliance to create recipes for full meals

Included:

- 1 Universal Tray with Perfect Clean
- 1 Wire rack with Perfect Clean
- 1 perforated stainless steel container
- 1 solid stainless steel container

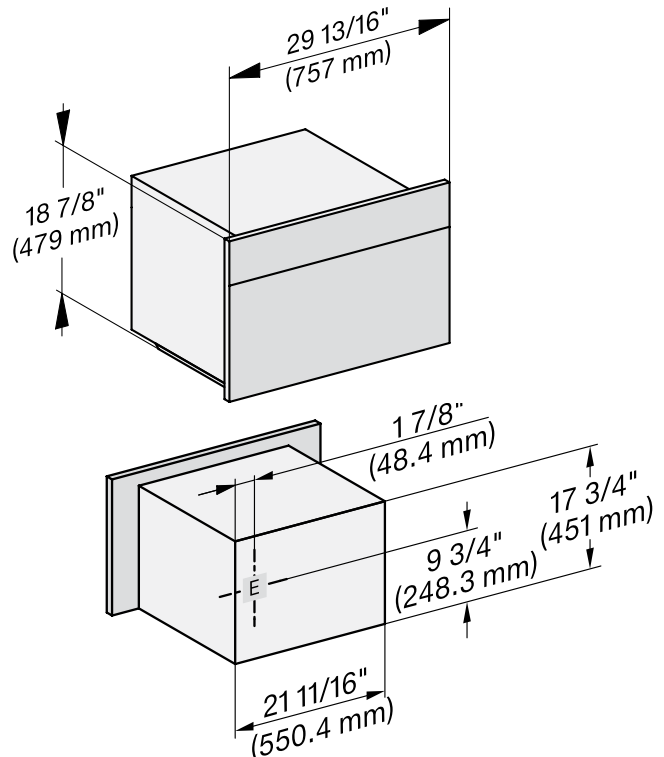


MATERIAL

11876230

SPECIFICATIONS	
Overall Unit Dimensions	29 ¹³ / ₁₆ " (757 mm) W x 18 ⁷ / ₈ " (479 mm) H x 23 ¹ / ₈ " (587 mm) D
Niche	
Minimum Cabinet Niche Opening	28 ¹ / ₂ " (724 mm) W x 18 ¹ / ₂ " (470 mm) H x 24" (610 mm) D
Electrical	
Electrical Requirements	208 - 240V, 60Hz, 20 Amps
Power Cord	NEMA 6-20 plug, 5 ft (1.52 m)
Shipping	
Shipping Weight	143 lbs (65 kg)
Shipping Dimensions	28 ⁵ / ₈ " (726 mm) W x 29 ¹ / ₄ " (743 mm) H x 32 ¹ / ₂ " (825 mm) D

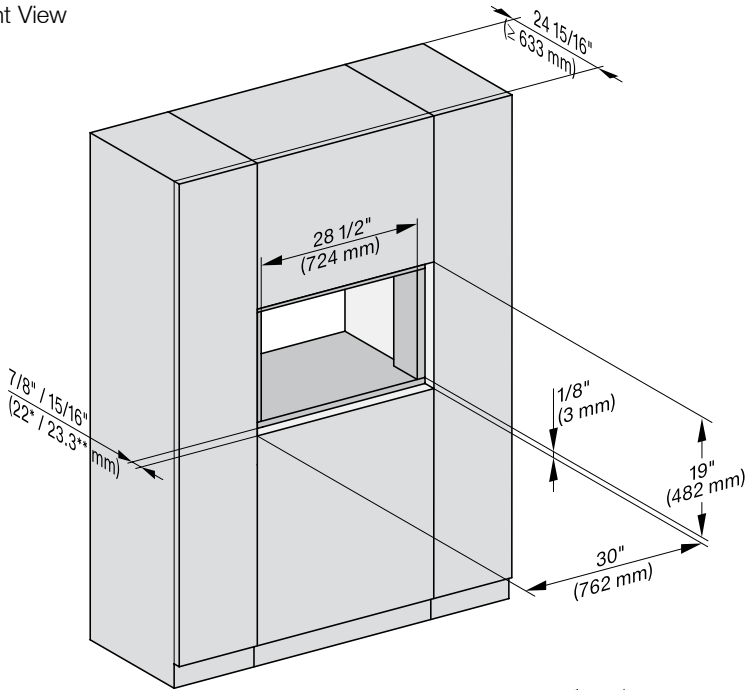
PRODUCT DIMENSIONS



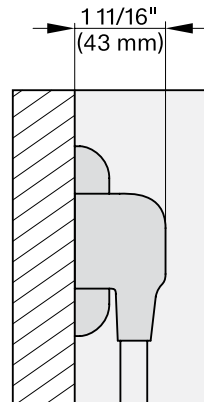
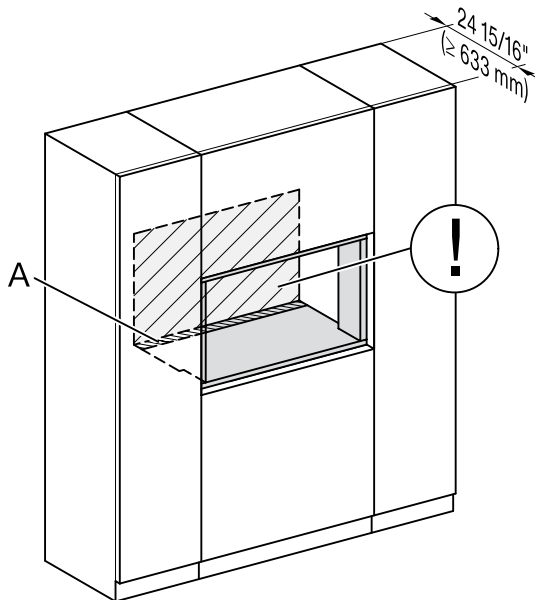
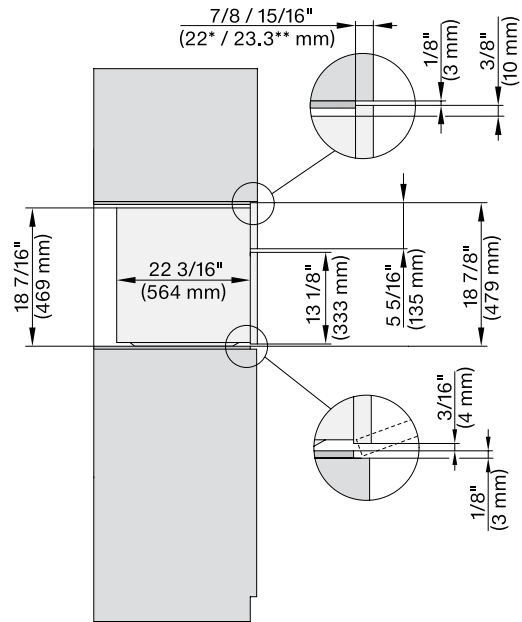
E = Electrical connection

FLUSH CUTOUT DIMENSIONS

Front View



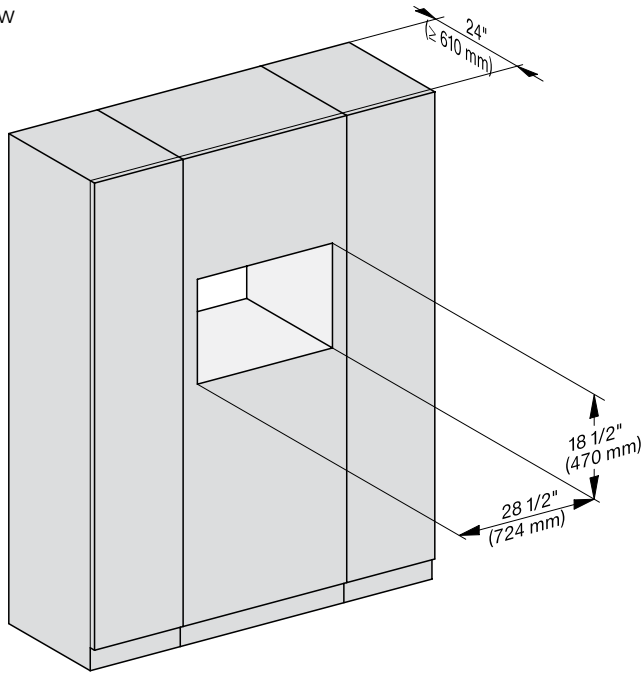
Side View



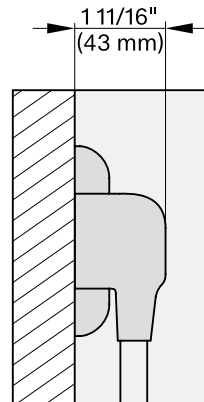
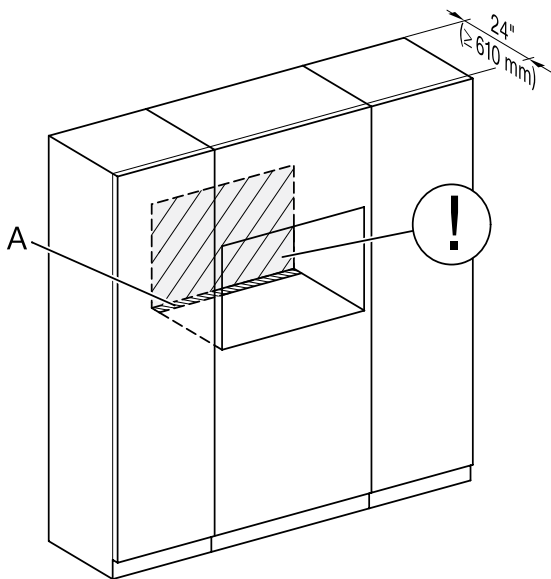
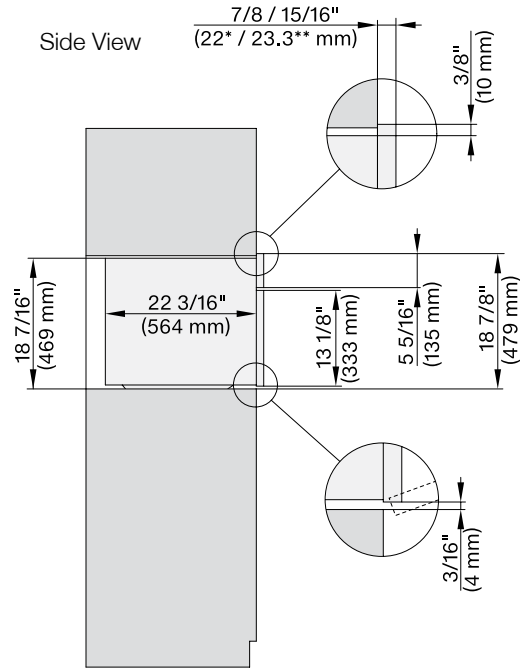
- A - Cut-out (4" x 28" [100 mm x 720 mm]) in the bottom of the cabinet for the power cord and Ventilation
- ⓘ - Electrical and water supplies are recommended to be placed in adjacent cabinetry.
Additional cabinet depth is required when placing the electrical and water supplies behind the appliance.

PROUD CUTOUT DIMENSIONS

Front View



Side View



A - Cut-out (4" x 28" [100 mm x 720 mm]) in the bottom of the cabinet for the power cord and Ventilation

⚠ - Electrical and water supplies are recommended to be placed in adjacent cabinetry.

Additional cabinet depth is required when placing the electrical and water supplies behind the appliance.