

## Combi-Steam Oven

DGC 4084 XL

DGC 4086 XL



# Combi-Steam Oven DGC 4084 XL / DGC 4086 XL



Classic DGC 4084 XL



Europa DGC 4086 XL

## FEATURES

### Cooking Modes:

- 100% Convection Oven
- 100% Steam Oven
- 100% Combination Steam Oven

Moisture combined with Convection Plus, Surround and Broil

XL PerfectClean cavity

Lift-up Control Panel conceals water and condensate container

Over 100 MasterChef programs

5 MasterChef Gourmet programs

20 Favorites

CleanGlass door

## INCLUDED ACCESSORIES

- 1 Universal tray
- 1 PerfectClean wire rack
- 1 XL perforated stainless steel pan (DGGL 12)
- 1 half-sized XL perforated stainless steel pan (DGGL 20)
- 1 half-sized XL solid stainless steel pan (DGG 20)

## STANDARD HANDLES

For Classic:  
Signature  
Handle  
DS 4045



For Europa:  
Square  
Handle  
DS 4043



## OPTIONAL HANDLES

Profi Handle  
DS 4040



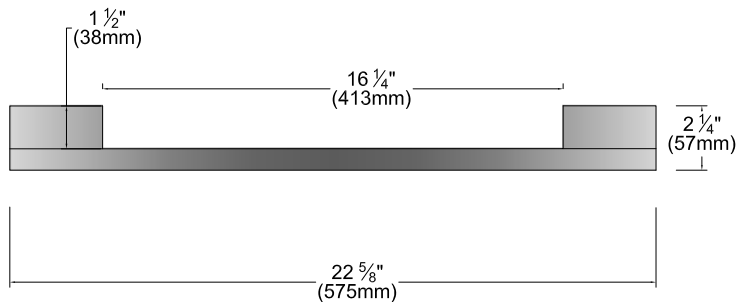
Classic Handle  
DS 4041



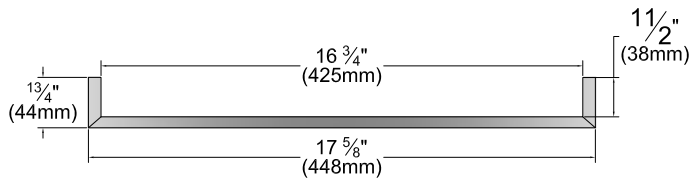
Straight Handle  
DS 4044



## DS 4045



## DS 4043



# Combi-Steam Oven

## DGC 4084 XL / DGC 4086 XL



### SPECIFICATIONS

**DGC 4084 XL (Classic) – Item 23408432USA**

**DGC 4086 XL (Europa) – Item 23408632USA**

Overall Width – excluding fascia	21 <sup>5</sup> / <sub>8</sub> " (549mm)
Overall Height	17 <sup>9</sup> / <sub>16</sub> " (446mm)
Overall Depth	21 <sup>1</sup> / <sub>2</sub> " (547mm)
Depth with Door Open	34 <sup>3</sup> / <sub>4</sub> " (883mm)
Overall Fascia Dimensions	23 <sup>7</sup> / <sub>16</sub> " (595mm) W x 18" (455.5mm) H x 7 <sup>7</sup> / <sub>8</sub> " (22/23mm) Thick
Oven Interior Dimensions	16" (406mm) W x 9 <sup>1</sup> / <sub>8</sub> " (232mm) H x 16 <sup>7</sup> / <sub>32</sub> " (412mm) D
<b>Built-In</b>	
Minimum Cabinet Width	22 <sup>1</sup> / <sub>16</sub> – 22 <sup>3</sup> / <sub>8</sub> " (560 – 568mm)
Minimum Cabinet Height	17 <sup>5</sup> / <sub>8</sub> " (448mm)
Minimum Cabinet Depth	>21 <sup>7</sup> / <sub>8</sub> " (555mm)
Minimum Base Support	47 lbs
Additional Cut-outs Required	Yes 2 x 12" cut-out required for ventilation, 150 sq. cm
<b>Electrical</b>	
Electrical Requirements	240V, AC, 60Hz, 20 Amps
Power Cord	Pigtail hard wired 240V power cord 5' or 1.5m
Cut Out for Power Cord	Min. 3" square
Electrical Rating	3.4 kW (240V)
Total Amps	16 Amps on 240V
<b>Shipping</b>	
Shipping Weight	65 lbs
Shipping Dimensions	26 <sup>7</sup> / <sub>32</sub> " W x 21 <sup>5</sup> / <sub>8</sub> " H x 23 <sup>1</sup> / <sub>16</sub> " L
<b>Support</b>	
Call	800.843.7231
20/20	©2020technologies.com

### TRIM KIT: Classic

EBA 5470 for 70cm width (Item #22996178USA)

EBA 5476 for 30" width (Item #22996179USA)

### TRIM KIT: Europa

EBA 5570 for 70cm width (Item #22996191USA)

EBA 5576 for 30" width (Item #22996192USA)

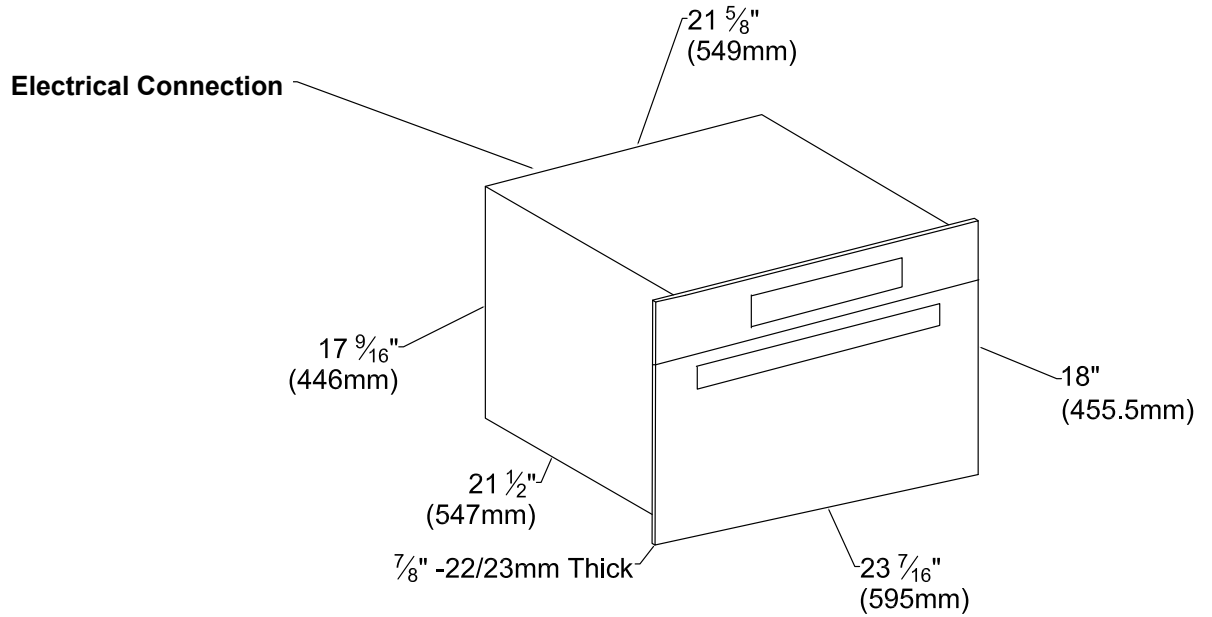
All installations must be done in accordance with local codes.

# Combi-Steam Oven DGC 4084 XL / DGC 4086 XL

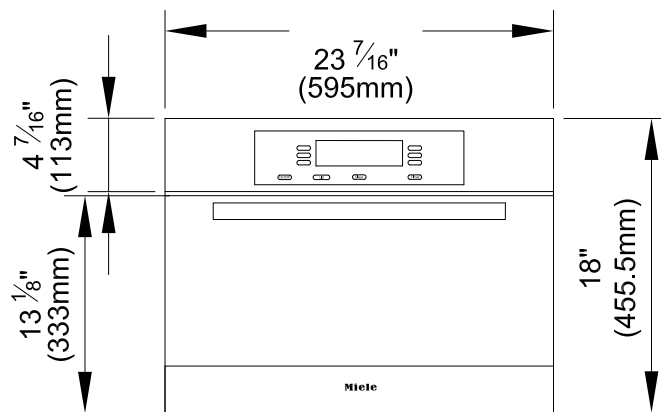


## PRODUCT VIEWS

### Isometric View

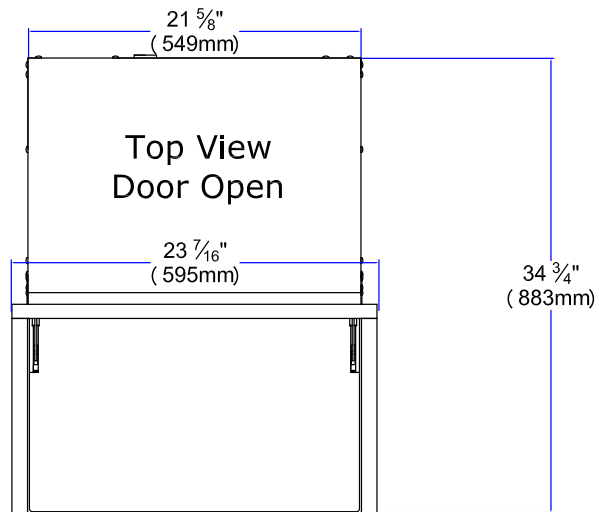


### Front View

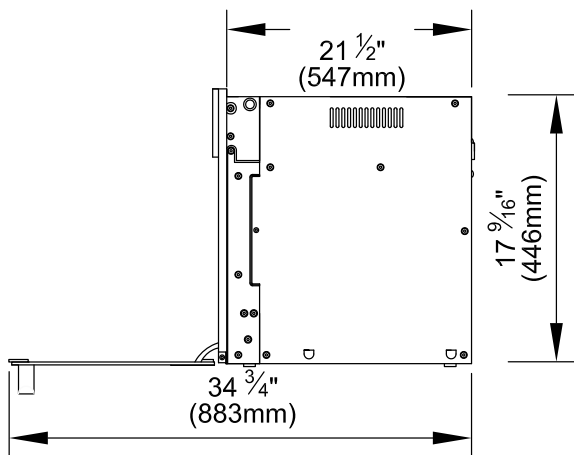


PRODUCT VIEWS

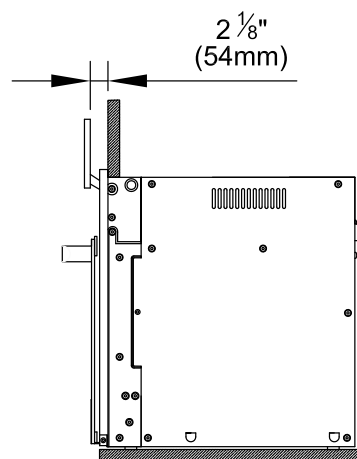
Top View



Side View with Door Open

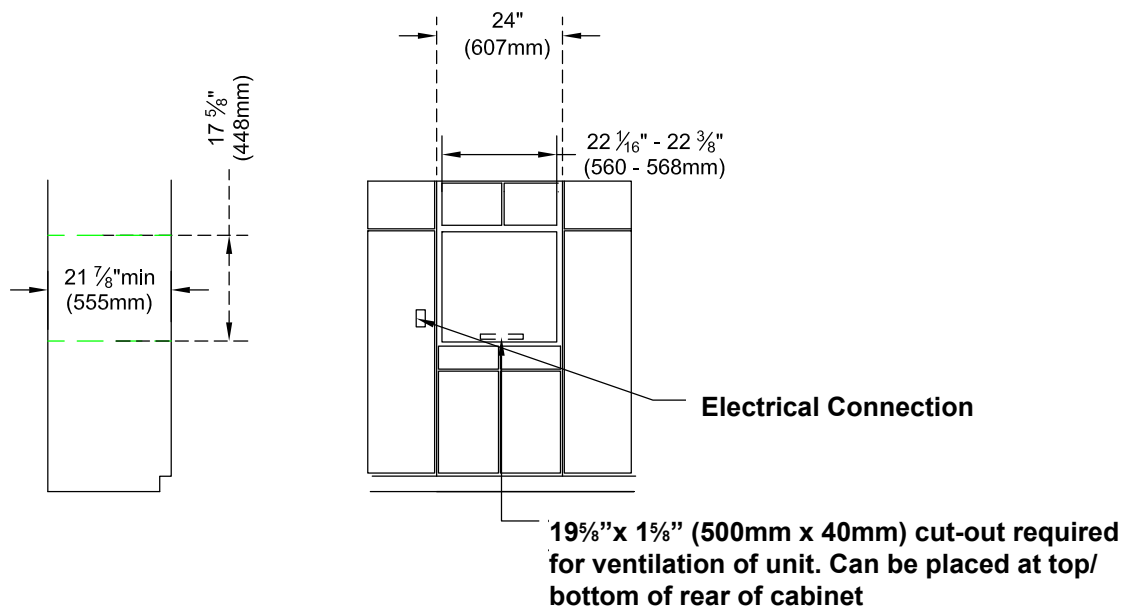


Side View with Lift Panel Up

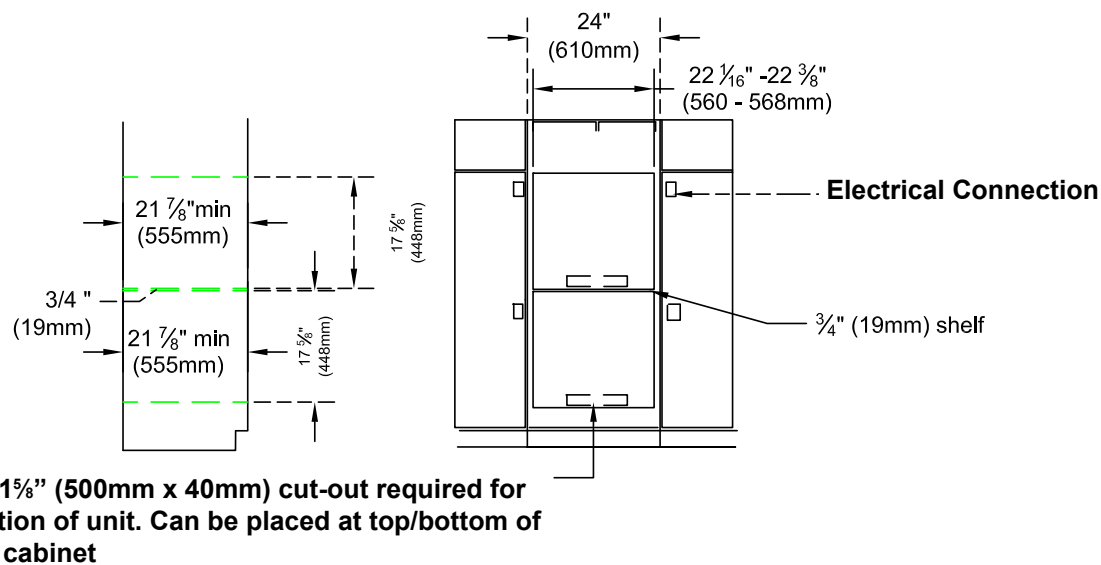


### INSTALLATION SPECIFICATIONS

#### Wall Cabinet Installation

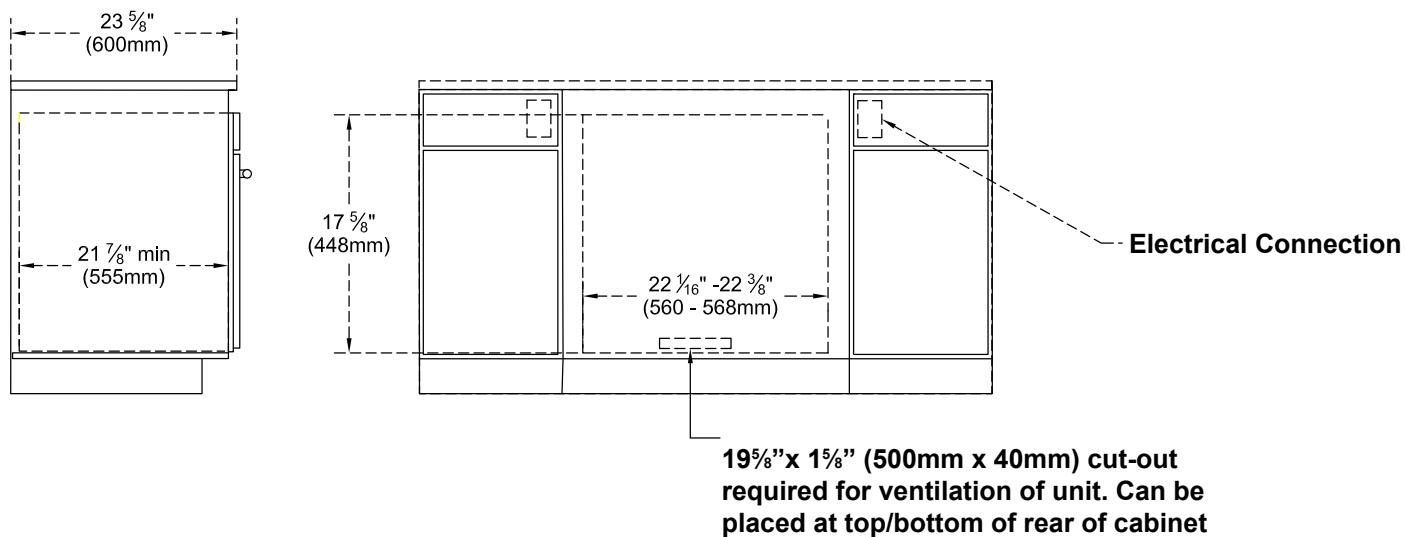


#### Wall Mount Stacked Installation



## INSTALLATION SPECIFICATIONS

### Undercounter Installation



### Undercounter Side-by-Side Installation

