

PureLine  
Combi-Steam Oven

DGC 6800 XL



# PureLine Combi-Steam Oven

## DGC 6800 XL



### DGC 6800 XL

#### Features:

- M Touch innovative and revolutionary controls are both easy-to-operate and navigate. An intuitive swipe of the screen will quickly lead you to your desired selection.
- MultiSteam technology delivers powerful external steam generation and optimum steam distribution via 6 inlet ports
- Wired roast probe for perfect roasting
- 3-in-1 appliance
  1. True European convection oven
  2. Steam oven
  3. Combination of steam and convection oven
- MasterChef and MasterChef Gourmet menus offer over 150 food types to cook to perfection
- XL stainless steel cavity
- Lift up control panel conceals water and condensate container (both containers are dishwasher-safe)
- The simple yet sleek Silhouette handle seems to float enhancing its modern design lines

#### SPECIFICATIONS

##### DGC 6800 XL — Item 23680012USA

Overall Fascia Dimensions	23 <sup>7</sup> / <sub>16</sub> " (595 mm) W x 18" (455.5 mm) H x 7 <sup>8</sup> / <sub>8</sub> " (23 mm) D
Overall Unit Width - Excluding Fascia Dimension	21 <sup>9</sup> / <sub>16</sub> " (548 mm)
Overall Unit Height - Excluding Fascia Dimension	17 <sup>11</sup> / <sub>16</sub> " (449 mm)
Overall Unit Depth - Excluding Fascia Dimension	21 <sup>5</sup> / <sub>8</sub> " (550 mm)
Oven Door Clearance	13 <sup>1</sup> / <sub>16</sub> " (332 mm)
<b>Built-In</b>	
Minimum Cabinet Width	22 <sup>1</sup> / <sub>16</sub> " (560 mm)
Minimum Cabinet Depth	21 <sup>7</sup> / <sub>8</sub> " (555 mm)
Minimum Opening Height	17 <sup>11</sup> / <sub>16</sub> " (450 mm)
Minimum Base Support	60 lbs
Additional Cut-outs Required	Venting cut-out required 19 <sup>11</sup> / <sub>16</sub> " x 1 <sup>9</sup> / <sub>16</sub> " (500 x 40 mm)
<b>Electrical</b>	
Electrical Requirements	240V, 60Hz, 20A
Power Cord	Molded plug - NEMA 6-20, 240V power cord 5 ft (1.5 m)
<b>Shipping</b>	
Shipping Weight	65 lbs
Shipping Dimensions	26 <sup>7</sup> / <sub>32</sub> " (666 mm) W x 21 <sup>5</sup> / <sub>8</sub> " (549 mm) H x 23 <sup>1</sup> / <sub>16</sub> " (535 mm) L
<b>Support</b>	
Call Miele	800.843.7231
Miele Website	<a href="http://www.mieleusa.com">www.mieleusa.com</a>
20/20 Link	<a href="http://2020technologies.com">2020technologies.com</a>

HANDEL DETAILS

<p><b>Comfort Handle:</b> Optional with ContourLine (DS 6708 Item #09828380)</p>	<p><b>ComfortSwivel Handle:</b> Standard with ContourLine Optional for PureLine (DS 6718 Item # 09828390)</p>
--	---

<p><b>Silhouette Handle:</b> Standard with Pureline Optional for Contourline (DS 6808 Item # 09828400)</p>	
--	--

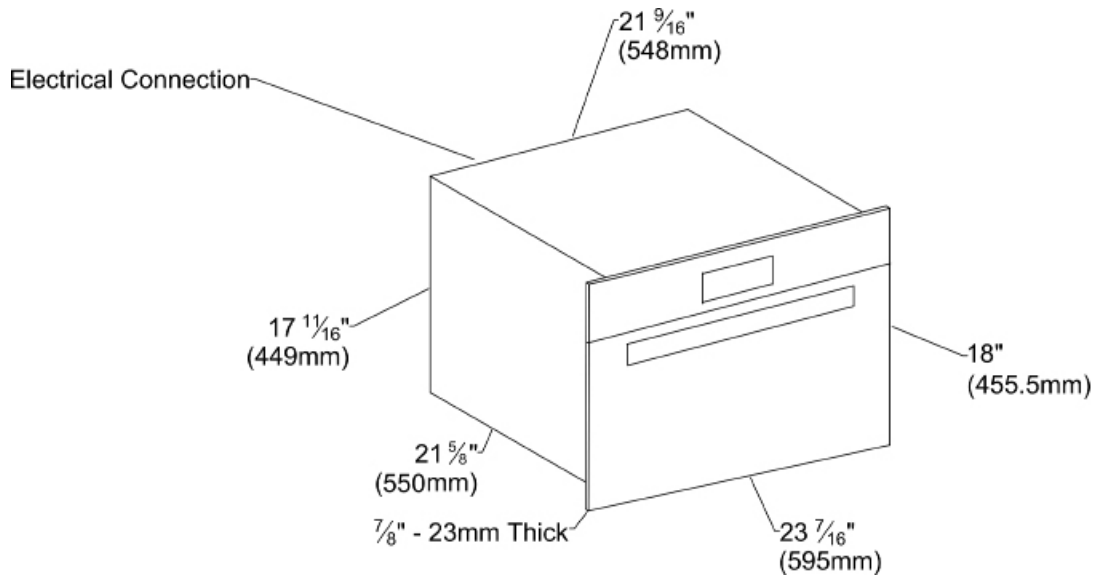
<p><b>Silhouette Handle (Chrome):</b> Standard with BrilliantWhite (DS 6808 Item # 09828410)</p>	<p><b>Silhouette Handle:</b> Standard with Truffle Brown (DS 6808 Item # 09870690)</p>
--	--

# PureLine Combi-Steam Oven DGC 6800 XL

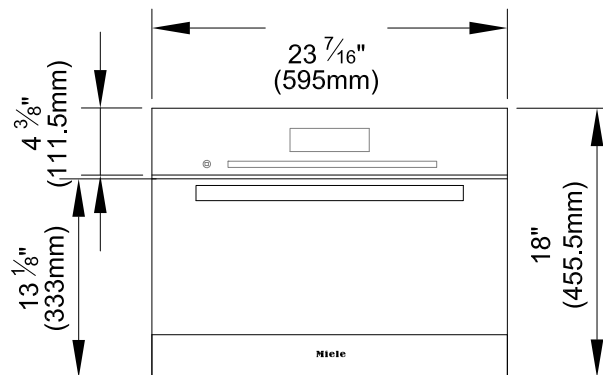


## PRODUCT VIEWS

### Isometric View

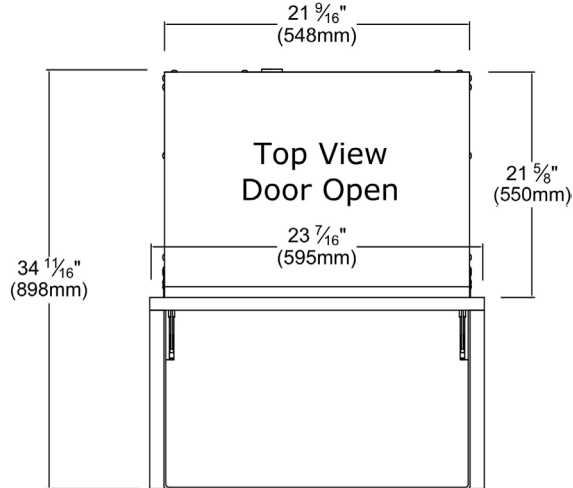


### Front View

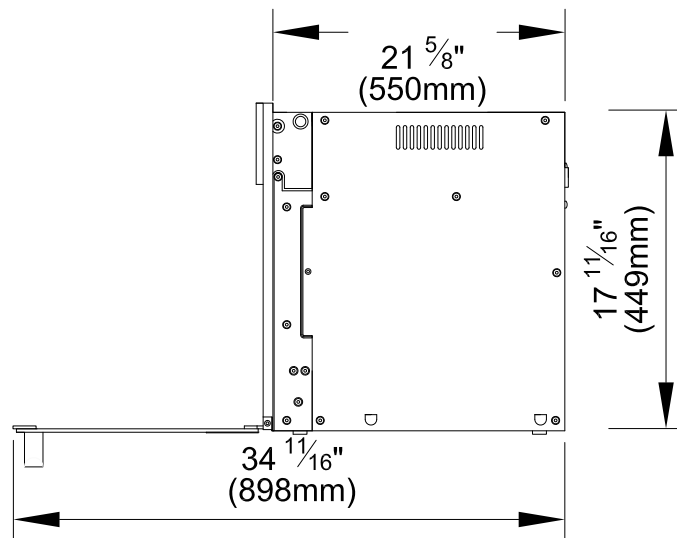


INSTALLATION SPECIFICATIONS

Top View, Door Open

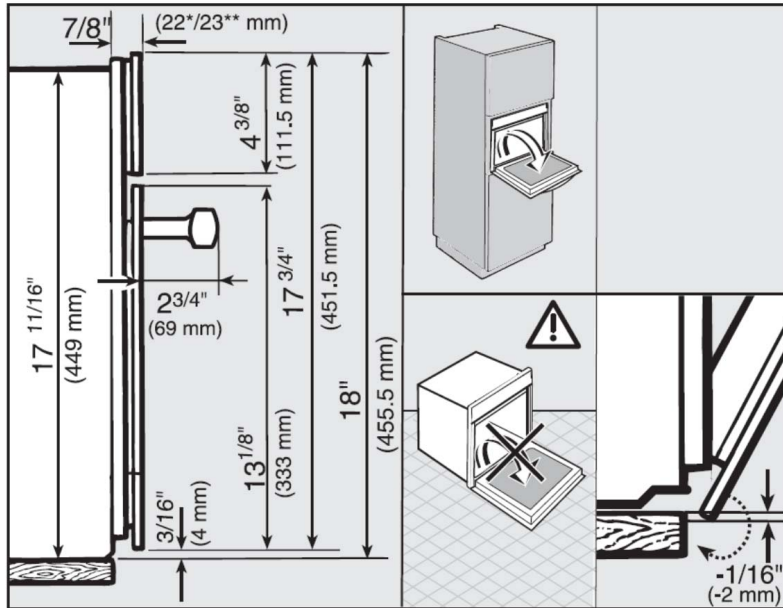


Side View



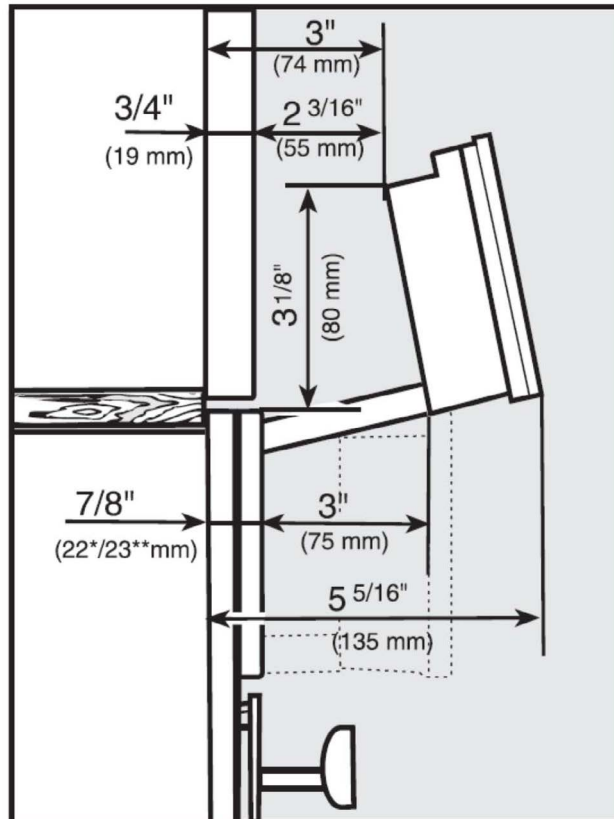
## INSTALLATION SPECIFICATIONS

### Door Swing and Face Detail



- \* Appliances with glass front
- \*\* Appliances with metal front

### Control Panel Swivel View



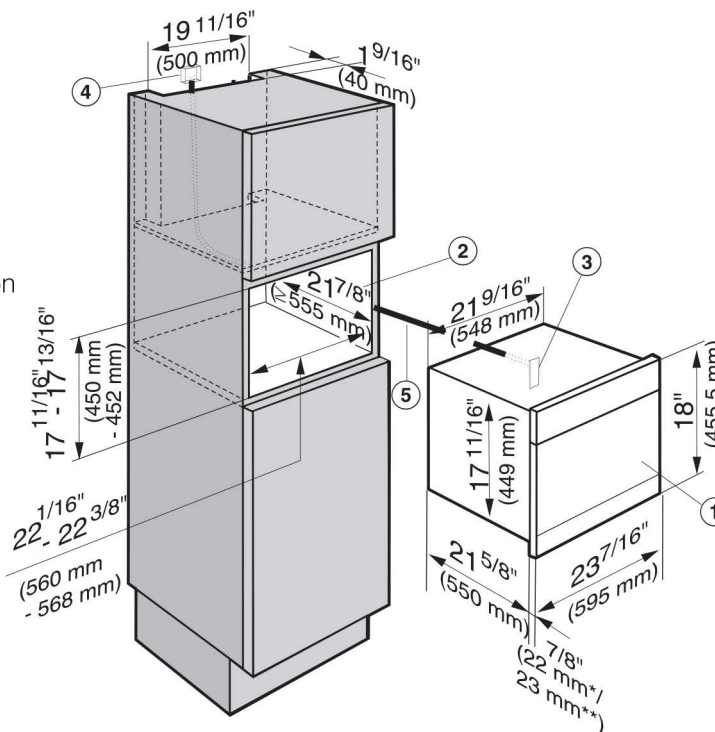


## INSTALLATION SPECIFICATIONS

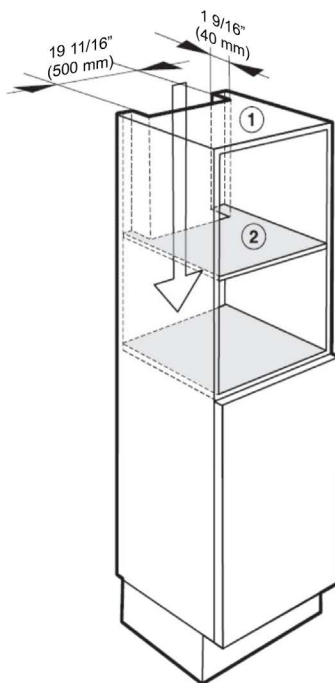
### Tall Cabinet Installation

- ① Combi Steam Oven
- ② Installation niche
- ③ Power supply to the appliance
- ④ Recommended location for electrical connection
- ⑤ Power cord

\* Appliances with glass front  
\*\* Appliances with metal front



### Tall Cabinet Installation — Venting Requirements



To ensure that the Combi Steam Oven has adequate ventilation, the following cut-outs measuring 19 11/16" x 1 9/16" (500 x 40 mm) must be made:

- ① in the top of the cabinet
- ② in the center shelf above the installation niche

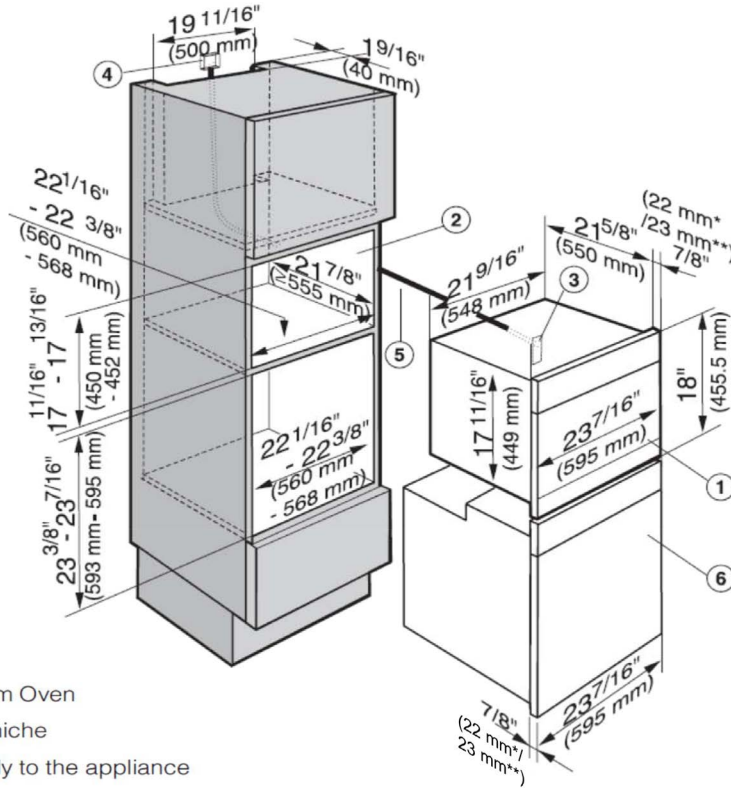
The cabinet housing must not have a back panel fitted behind the installation niche.

# PureLine Combi-Steam Oven DGC 6800 XL



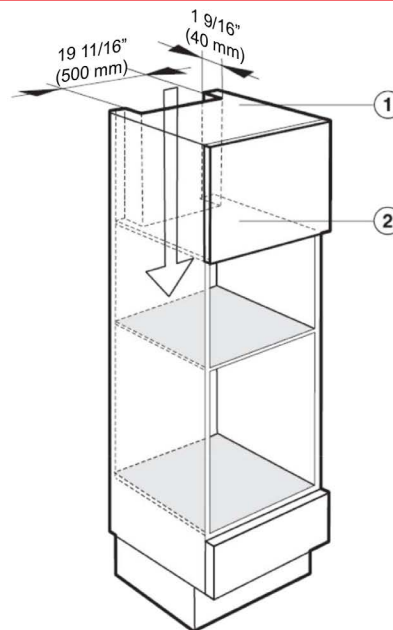
## INSTALLATION SPECIFICATIONS

Installation Above 24" Oven



- ① Combi Steam Oven
- ② Installation niche
- ③ Power supply to the appliance
- ④ Recommended location for electrical connection
- ⑤ Power cord
- ⑥ Oven

## Installation Above 24" Oven — Venting Requirements



To ensure that the Combi Steam Oven has adequate ventilation, the following cut-outs measuring 19 11/16" x 1 9/16" (500 x 40 mm) must be made:

- ① in the top of the cabinet
- ② in the center shelf above the installation niche

The cabinet housing must not have a back panel fitted behind the installation niche.

Cut-out for venting the oven:  
Please refer to the installation instructions for the oven.

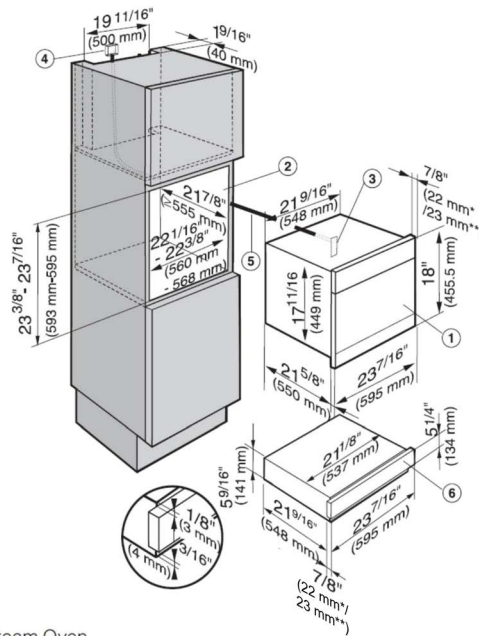


# PureLine Combi-Steam Oven DGC 6800 XL



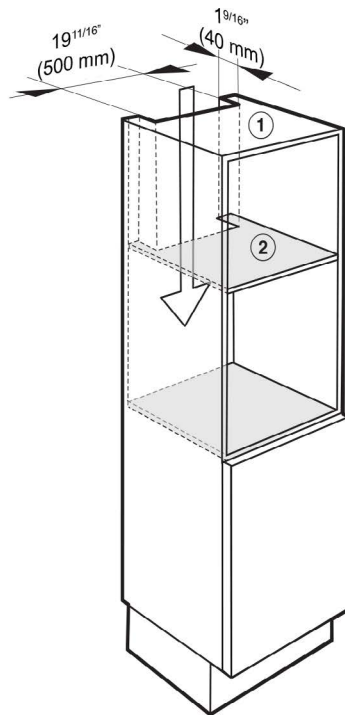
## INSTALLATION SPECIFICATIONS

Installation Above Warming Drawer



- ① Combi Steam Oven
- ② Installation niche
- ③ Power supply to the appliance
- ④ Recommended location for electrical connection
- ⑤ Power cord
- ⑥ Warming drawer

## Installation Above Warming Drawer – Venting Requirements



To ensure that the Combi Steam Oven has adequate ventilation, the following cut-outs measuring 19 11/16" x 1 9/16" (500 x 40 mm) must be made:

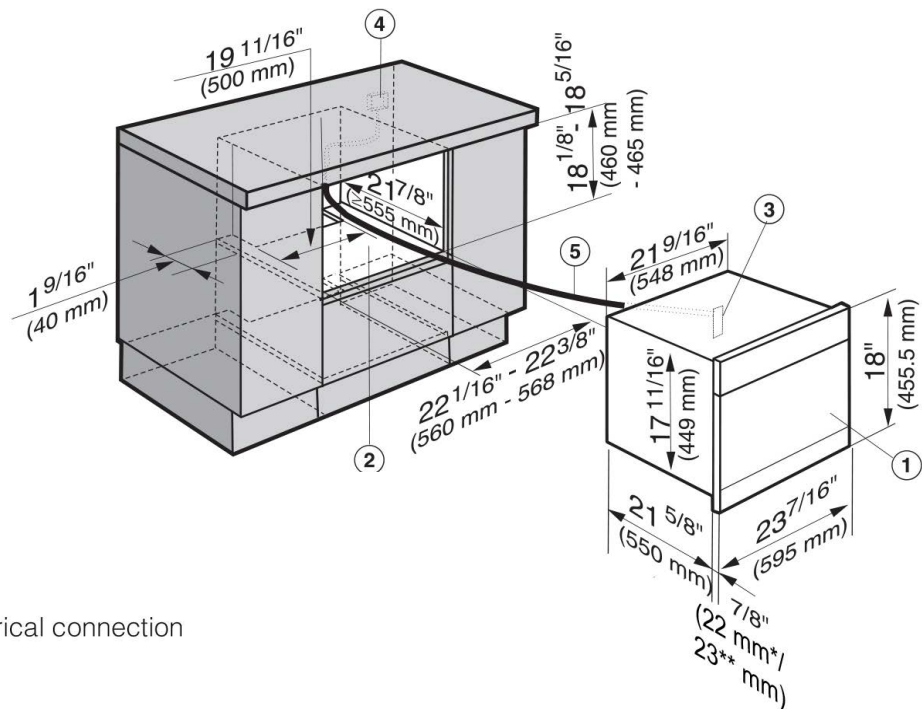
- ① in the top of the cabinet
- ② in the center shelf above the installation niche

The cabinet housing must not have a back panel fitted behind the installation niche.

# PureLine Combi-Steam Oven DGC 6800 XL



## INSTALLATION SPECIFICATIONS



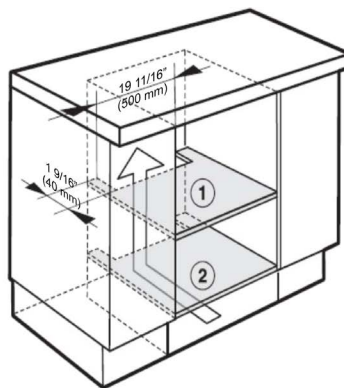
- ① Combi Steam Oven
- ② Installation niche
- ③ Power supply to the appliance
- ④ Recommended location for electrical connection
- ⑤ Power cord

\* Appliances with glass front

\*\* Appliances with metal front

If the appliance is to be installed under a cooktop, observe the instructions for installation of the cooktop and its installation height.

## Installation Undercounter – Venting Requirements



To ensure that the Combi Steam Oven has adequate ventilation, the following cut-outs measuring 19 11/16" x 1 9/16" (500 x 40 mm) must be made:

- ① in the appliance support base
- ② in the bottom of the cabinet space below

The cabinet housing must not have a back panel fitted behind the installation niche.