

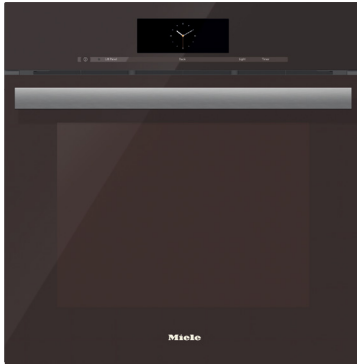
PureLine Plumbed Truffle Brown Combi-Steam Oven XXL

DGC 6865 XXL HVBR



PureLine Plumbed Combi-Steam Oven

DGC 6865 XXL HVBR



DGC 6865 XXL HVBR

Features:

- Plumbed water connection
- Class leading capacity with 41% more space than XL (with 4 shelf levels)
- M Touch innovative and revolutionary controls are both easy-to-operate and navigate
- MultiSteam technology delivers powerful external steam generation and optimum steam distribution via 6 inlet ports
- Wired roast probe for perfect roasting
- 3-in-1 appliance
 1. True European convection oven
 2. Steam oven
 3. Combination of steam and convection oven
- MasterChef and MasterChef Gourmet menus offer over 100 food types to cook to perfection
- Lift up control panel conceals water and condensate container (both containers are dishwasher safe)
- Clean Glass door for easy clean-up
- The simple yet sleek Silhouette handle seems to float enhancing its modern design lines



SPECIFICATIONS

DGC 6865 XXL HVBR — Item 23686503USA

Overall Fascia Dimensions	23 ⁷ / ₁₆ " (595 mm) W x 23 ⁷ / ₁₆ " (595 mm) H x 7 ⁷ / ₈ " (22 mm) D
Overall Unit Width - Excluding Fascia Dimension	21 ⁹ / ₁₆ " (548 mm)
Overall Unit Height - Excluding Fascia Dimension	23 ¹ / ₄ " (590 mm)
Overall Unit Depth - Excluding Fascia Dimension	22 ³ / ₈ " (567 mm)

Built-In

Minimum Cabinet Width	22 ¹ / ₁₆ " (560 mm)
Minimum Cabinet Depth	22 ¹ / ₂ " (572 mm)
Minimum Opening Height	23 ³ / ₈ " (593 mm)

Additional Cut-Outs Required	Venting and plumbing cut-out required 19 ¹¹ / ₁₆ " x 1 ⁹ / ₁₆ " (500 mm x 40 mm)
------------------------------	---------------------------------------------------------------------------------------------------------------------------------

Plumbing

Water Supply Requirements	Connect to a cold water supply only. Must be connected to a shut-off valve. The water shut-off valve must be accessible after installation. The water pressure must be between 14.5 psi (1 bar) and may not exceed 87 psi (6 bar). If the pressure is higher than 87 psi (6 bar), a pressure reducing valve must be installed.
Drainage Requirements	The drainage trap must not be located higher than the drain hose connection point on the appliance. This is to ensure that water can drain out completely after a program. The top of the drain hose must not be higher than 19 ¹¹ / ₁₆ " (500 mm) to where it connects to the drain trap. The drain hose must not be shortened. See installation manual for additional information.
Water Intake Hose Connection	Supplied hose: flexible braided hose 9'10" (3 m) with a 3/8" compression fitting for connection to a shut off valve. The hose must not be shortened.
Drain Hose Connection	Supplied hose: flexible plastic hose 9'10" (3 m) with a 3/4" end for connection to siphon. The plastic drain hose supplied must not be shortened.

Electrical

Electrical Requirements	208/240V, 60Hz, 20A
Power Cord	Molded plug - NEMA 6-20 power cord 6' 6 ³ / ₄ " (2 m)

Shipping

Shipping Weight	136 lbs (62 kg)
Shipping Dimensions	28 ⁷ / ₈ " W x 28 ³ / ₈ " H x 26 ⁵ / ₈ " L

Support

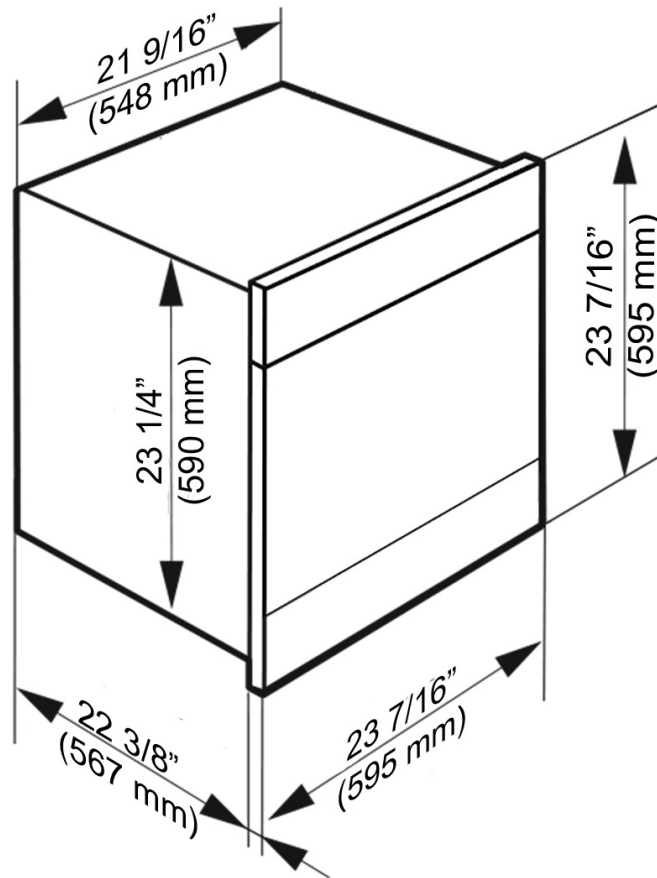
Call Miele	800.843.7231
Miele Website	www.mieleusa.com
20/20 Link	2020technologies.com

PureLine Plumbed Combi-Steam Oven DGC 6865 XXL HVBR



PRODUCT SPECIFICATIONS

Isometric View

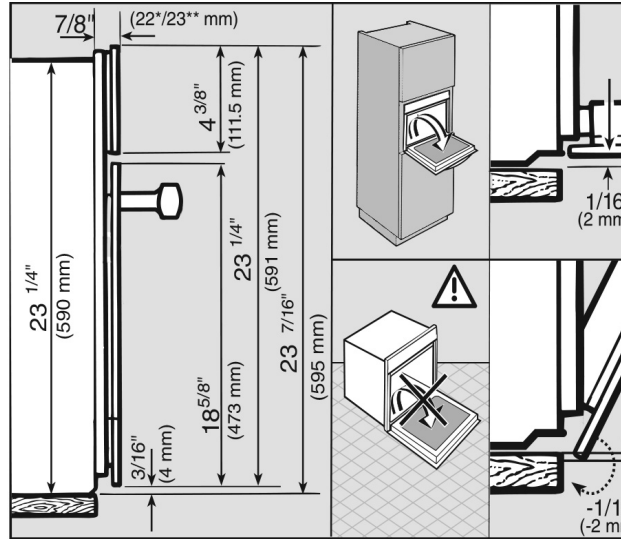


PureLine Plumbed Combi-Steam Oven DGC 6865 XXL HVBR



INSTALLATION SPECIFICATIONS

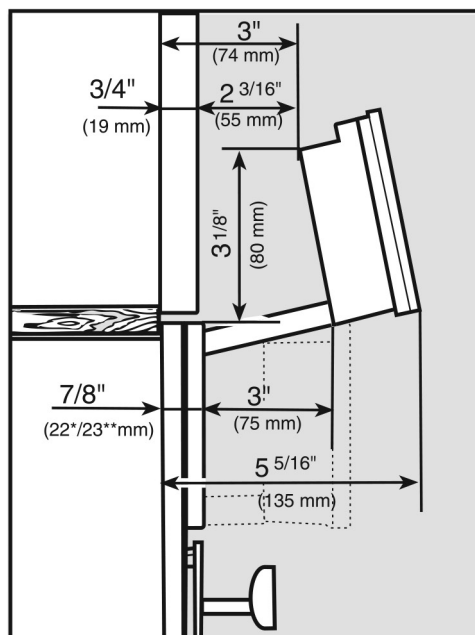
Door Swing Detail



* Glass front / ** Metal front

Lift Panel Side View

The area in front of the control panel must not be blocked by anything (such as a door handle) that would hinder it from opening and closing.



* Glass front / ** Metal front

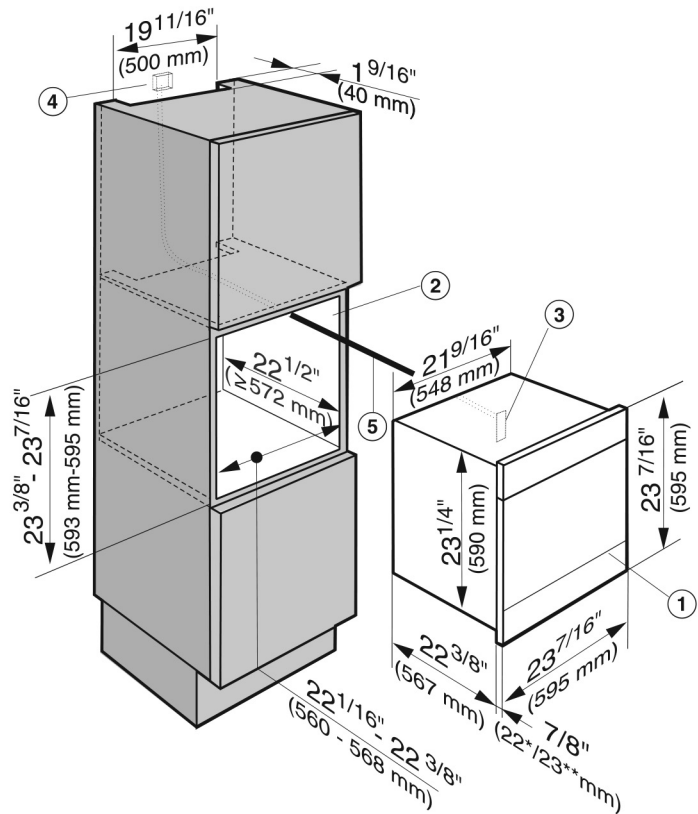
For handle dimensions please see page 9

PureLine Plumbed Combi-Steam Oven DGC 6865 XXL HVBR



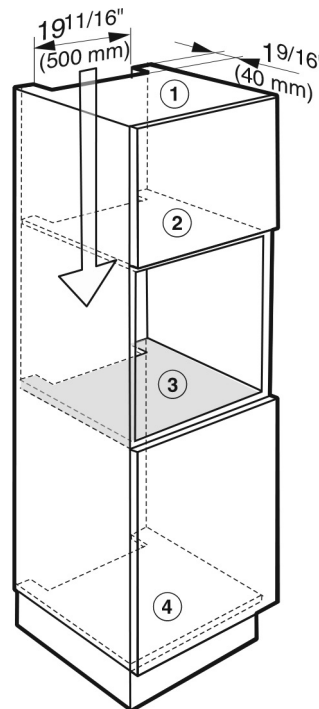
INSTALLATION SPECIFICATIONS

Tall Cabinet Installation



- ① Steam oven
 - ② Niche
 - ③ Pass-through for the power cord
 - ④ Recommended position for electrical outlet
 - ⑤ Power cord, L = 78 3/4" (2,000 mm)
- * Glass front / ** Metal front

Tall Cabinet Installation — Venting and/or Plumbing Requirements



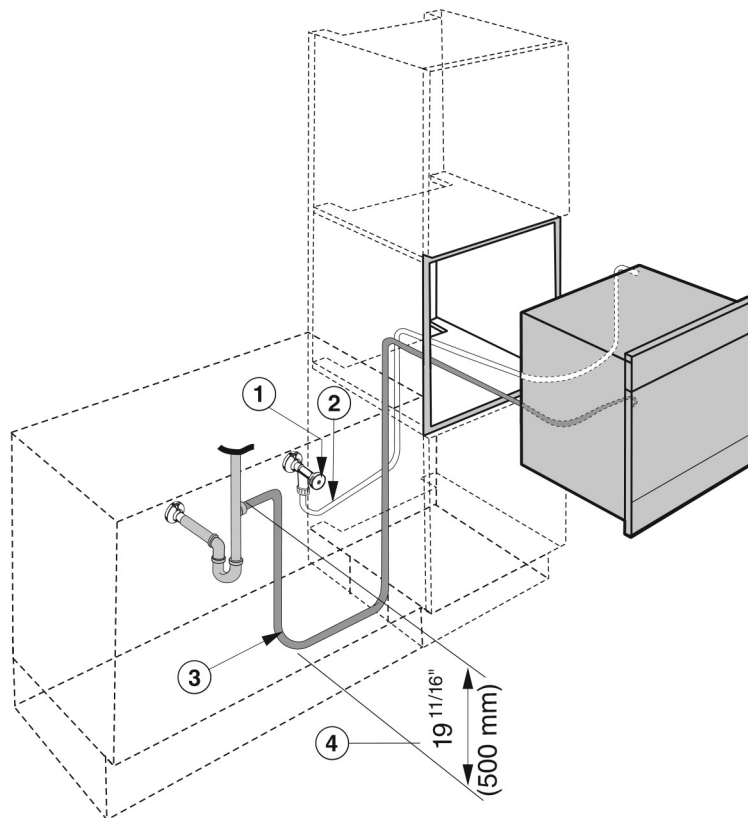
- ① Cut-out in top of unit (ventilation)
- ② Cut-out in the interim shelf above the building-in niche (for ventilation)
- ③ Cut-out in the interim shelf below the building-in niche (plumbing)
- ④ Cut-out in unit floor (plumbing)

PureLine Plumbed Combi-Steam Oven DGC 6865 XXL HVBR



INSTALLATION SPECIFICATIONS

Tall Cabinet Installation -
Plumbed-In Unit Installation



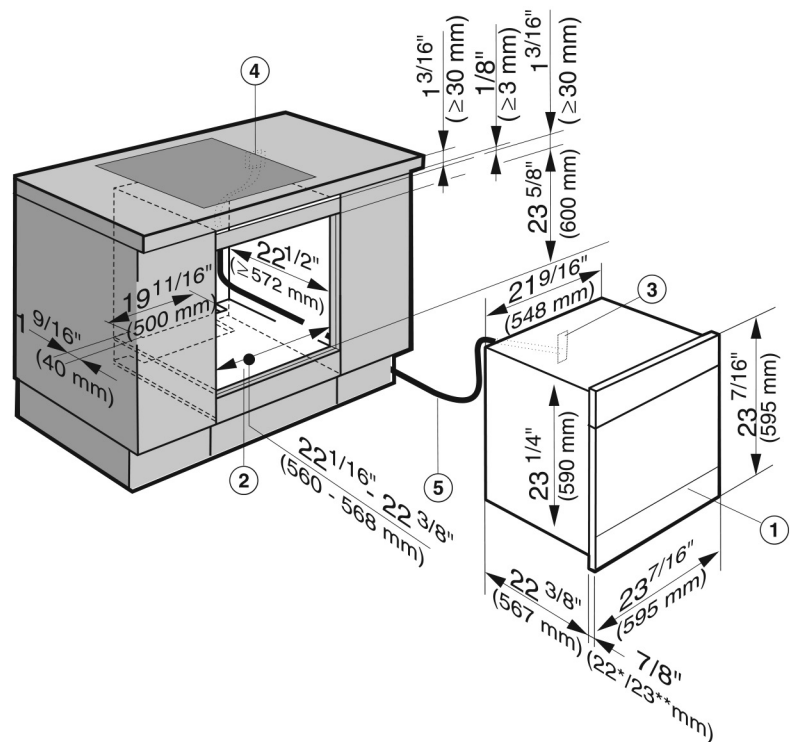
- ① Water supply valve (cold water connection)
- ② Water intake hose, L = 9' 10 1/8" (3,000 mm)
- ③ Drain hose, L = 9' 10 1/8" (3,000 mm)
- ④ The top end of the drain hose to the inlet of the odor trap must not be higher than 19 11/16" (500 mm).

PureLine Plumbed Combi-Steam Oven DGC 6865 XXL HVBR



INSTALLATION SPECIFICATIONS

Undercounter Installation

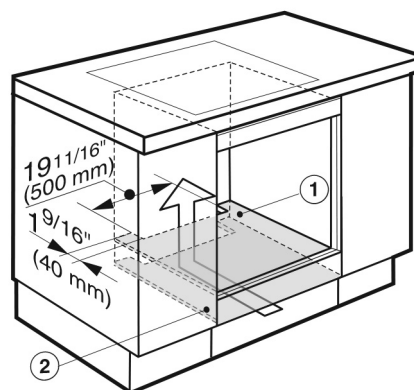


- ① Steam oven
- ② Niche
- ③ Pass-through for the power cord
- ④ Recommended position for electrical outlet
- ⑤ Power cord, L = 78 3/4" (2,000 mm)

* Glass front / ** Metal front

When building the appliance into a base unit underneath a cooktop, please also observe the installation instructions for the cooktop and its respective installation depth (see the installation instructions for the cooktop).

Undercounter Installation— Venting Requirements



To ensure that the Combi Steam Oven has adequate ventilation, the following cut-outs measuring 19 11/16" x 1 9/16" (500 x 40 mm) must be made:

- ① in the appliance support base
- ② in the bottom of the cabinet space below

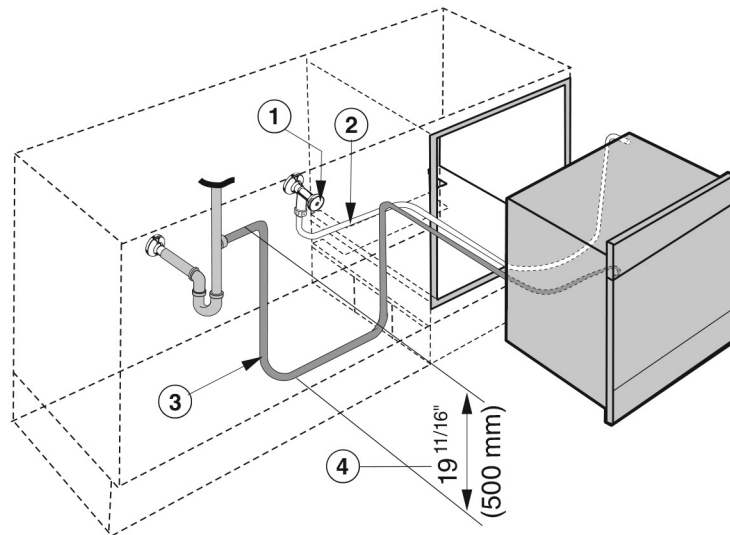
The cabinet housing must not have a back panel fitted behind the installation niche.

PureLine Plumbed Combi-Steam Oven DGC 6865 XXL HVBR



INSTALLATION SPECIFICATIONS

Undercounter Installation-
Plumbed-In Unit Installation



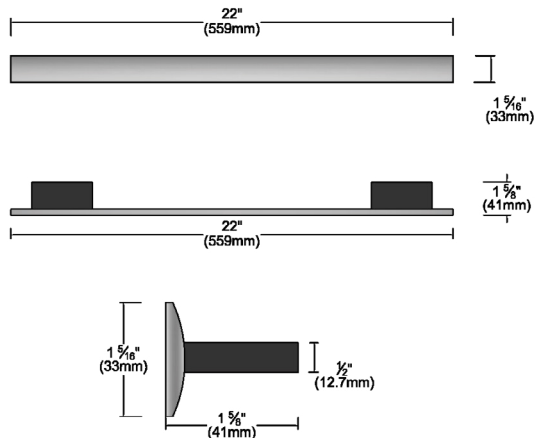
- ① Water supply valve (cold water connection)
- ② Water intake hose, L = 9' 10 1/8" (3,000 mm)
- ③ Drain hose, L = 9' 10 1/8" (3,000 mm)
- ④ The top end of the drain hose to the inlet of the odor trap must not be higher than 19 11/16" (50 mm).

PureLine Plumbed Combi-Steam Oven DGC 6865 XXL HVBR



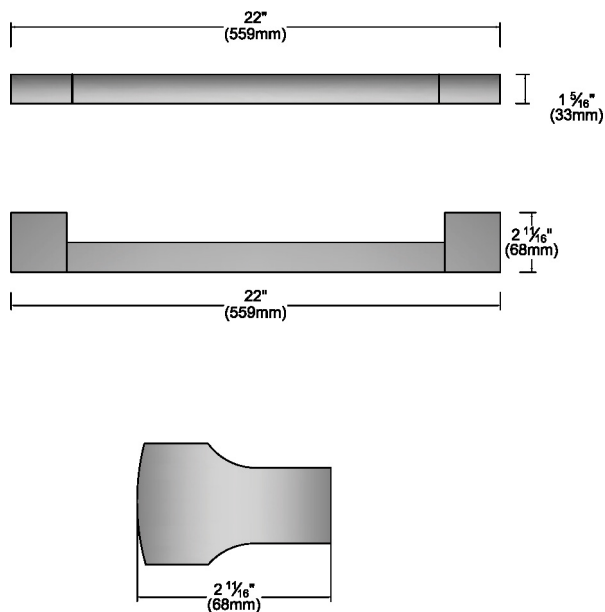
HANDLE DETAILS

All Miele Signature And PureLine
Handle Dimensions



Please note hinges may require adjusting or replacing when changing from a ContourLine Handle to a PureLine or Miele Signature Handle.

All ContourLine Handle
Dimensions



Please note hinges may require adjusting or replacing when changing from a PureLine or Miele Signature Handle to a ContourLine Handle.