

Futura Series

Fully Integrated Dishwashers

CLASSIC G 4286 SCVi, G 4286 SC SF

CRYSTAL G 5285 SCVi, G 5285 SC SF

DIMENSION G 5675 SCVi, G 5675 SC SF

DIAMOND G 5975 SCVi, G 5975 SC SF



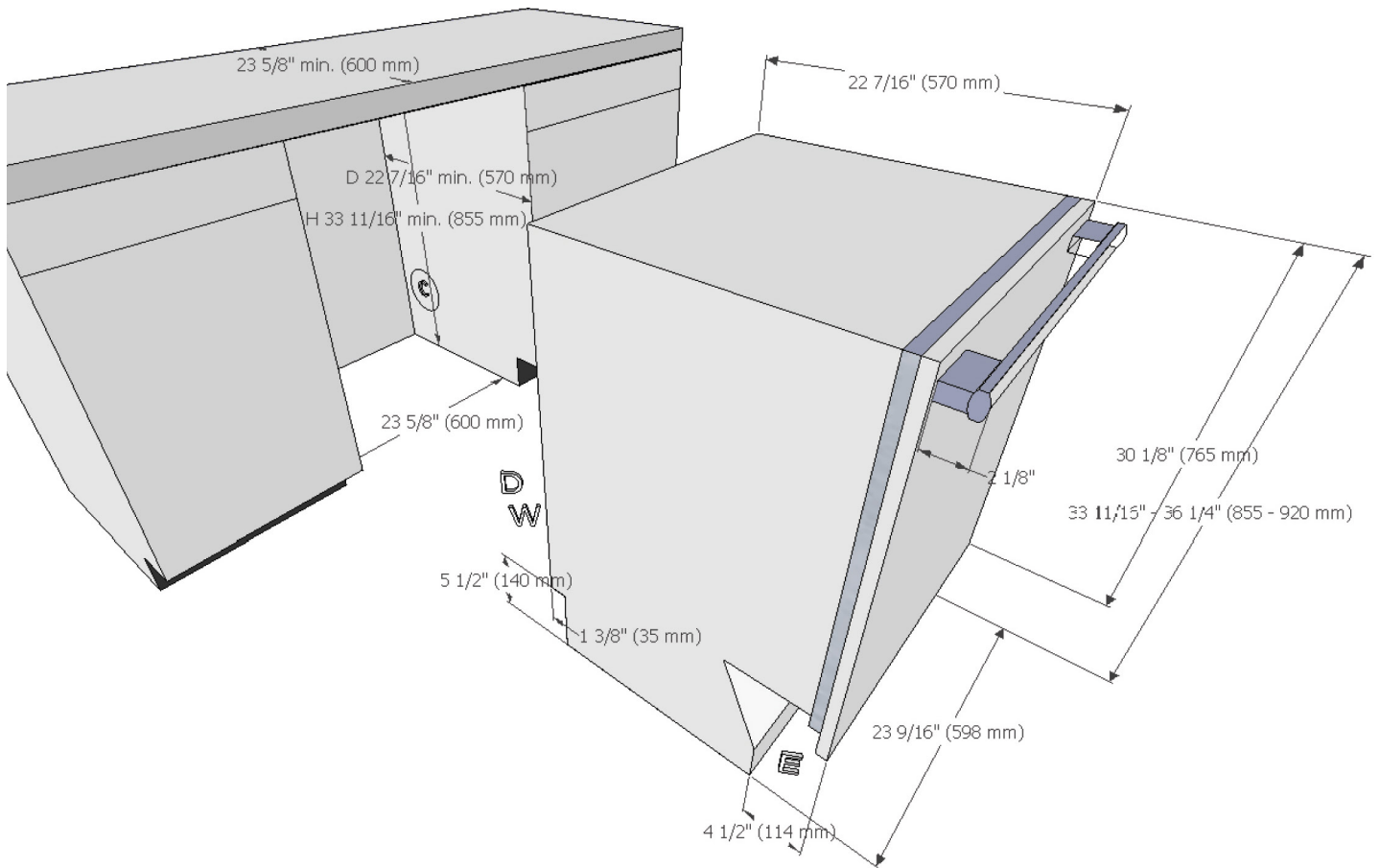
Futura Series Dishwashers

Model Overview



| | | CLASSIC | CRYSTAL | DIMENSION | DIMENSION SLIMLINE | DIAMOND | PROFI LINE |
|--------------------|---|---------|---------|-----------|--------------------|---------|------------|
| Baskets | FlexiCare | • | | | | | |
| | FlexiCare Plus | | • | | • | | |
| | FlexiCare Premium | | | • | | | |
| | FlexiCare Deluxe | | | | | • | • |
| Cutlery | Cutlery basket | • | • | | • | | |
| | Cutlery tray | • | • | | • | | |
| | 3D cutlery tray | | | • | | • | • |
| Convenience | AutoClose | | | | | • | • |
| | BrilliantLight | | | | | • | • |
| | Delay Start | • | • | • | | • | • |
| | RemoteVision™ | | | | | • | |
| | ComfortClose | • | • | • | | • | • |
| | Perfect GlassCare | | • | • | • | • | • |
| | Water softener | | • | • | • | • | • |
| | ADA compliant* | •* | | •* | • | | |
| | Q Acoustic ratings | Q1 | Q2 | Q4 | Q3 | Q5 | Q1 |
| Sensors | AutoSensor | • | • | • | • | • | |
| | SensorDry | | | • | | • | |
| | Automatic Load-Size Sensor | | | | | • | |
| Finishes | Pre-finished (Black or White) | • | • | | | | |
| | Pre-finished (Clean Touch Steel™) | • | • | • | | | |
| | Integrated - I (Clean Touch Steel™) | | | • | • | • | |
| | Fully Integrated - Vi (Custom Panel) | • | | • | • | • | • |
| | Fully Integrated - SC SF (Clean Touch Steel™) | • | • | • | | • | |
| Programs | Normal | • | • | • | • | • | • |
| | Express | | • | | • | • | |
| | Rinse & Hold | • | • | • | • | • | |
| | SaniWash | • | • | • | • | • | |
| | Pots & Pans | • | • | • | • | • | • |
| | Economy | • | | | | | |
| | China & Crystal | | • | • | • | • | • |
| | Turbo Mode | • | • | • | | • | |
| | Intensive Mode | | | • | | • | |
| Diamond Programs | ExtraQuiet | | | • | | • | |
| | Heavy Soil | | | | | • | |
| | SensorWash | | | | | • | |
| | Light | | | | | • | |
| | Energy Saver | | | | | • | |
| | Plastics | | | | | • | • |
| | Starch/Cheese | | | | | • | |
| | Tall Items | | | | | • | |
| | Glass - No Rinse Aid (Warm) | | | | | • | |
| | Glass - No Rinse Aid (Cold) | | | | | • | |
| | | | | | | | |
| ProfiLine Programs | ProSpeed 23 minute cycle | | | | | | • |
| | Universal | | | | | | • |
| | Sanitize | | | | | | • |
| | Beer Glasses | | | | | | • |
| Drying | CleanAir™ | • | • | • | • | • | • |
| | Advanced CleanAir™ | | | | | • | • |
| | AutoOpen™ Drying | | | • | | • | • |

* Classic G 4281 SCVi and Dimension G 5670 SCVi are ADA compliant



Location Codes

C - Cutout 1 3/8" x 1 3/4" (34 mm x 35 mm) for water, drain and electric pass-through.

Adjust according to water and drain location.

D - 5 foot (1.5 meter) flexible drain hose connects lower center rear.

E - 5 foot (1.5 meter)– 120 Volt – 15 Amp 3-wire molded plug power supply connects front terminal or can be hardwired.

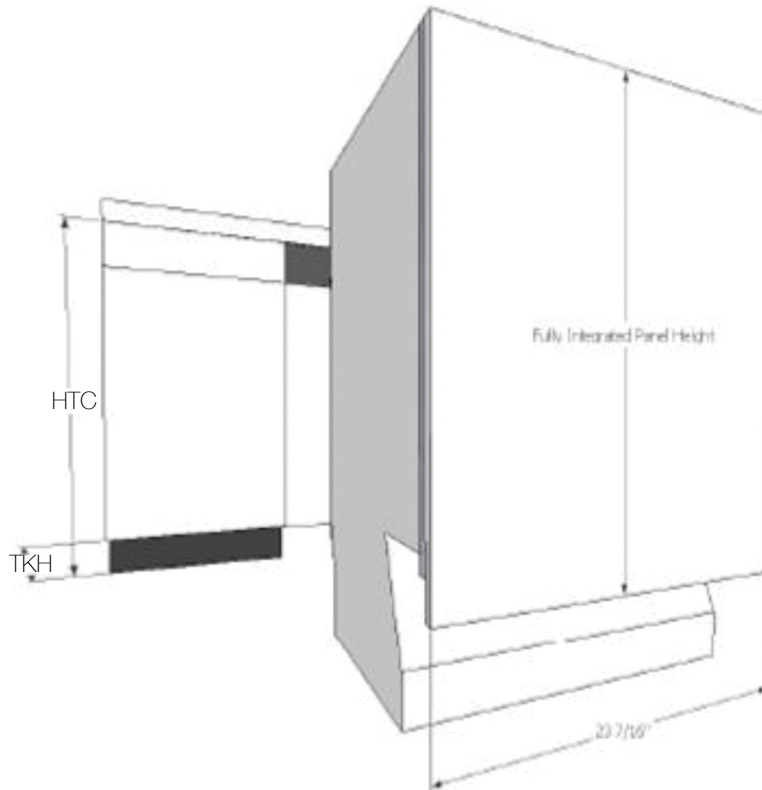
W - 5 foot flexible water intake hose with a 3/8" compression fitting nut connects lower center rear.

Notes

All installations must be done in accordance with local codes.

Drawing is not to scale

Specification Sheets OJS 11012011



Width: 23 9/16" (598mm) in all cases

Thickness: 3/4" (19mm) in all cases

Height: Determined using the following calculation:

$$\text{Panel Height} = \text{HTC} - \text{TKH}$$

HTC = Height to the underside of countertop

TKH = Toe kick height

Note: Control panel is along the top edge of the unit. It is not visible when the unit is closed. A handle **MUST** be located on the front panel in order to open the unit.

Maximum panel height: 31 7/8" (809 mm)

Minimum panel height: 27 3/16" (690 mm)

Maximum panel weight: 21 Pounds (9.5 kg)

