

## Futura Series Integrated Dishwashers

DIMENSION G 5605 SCi

DIAMOND G 5915 SCi



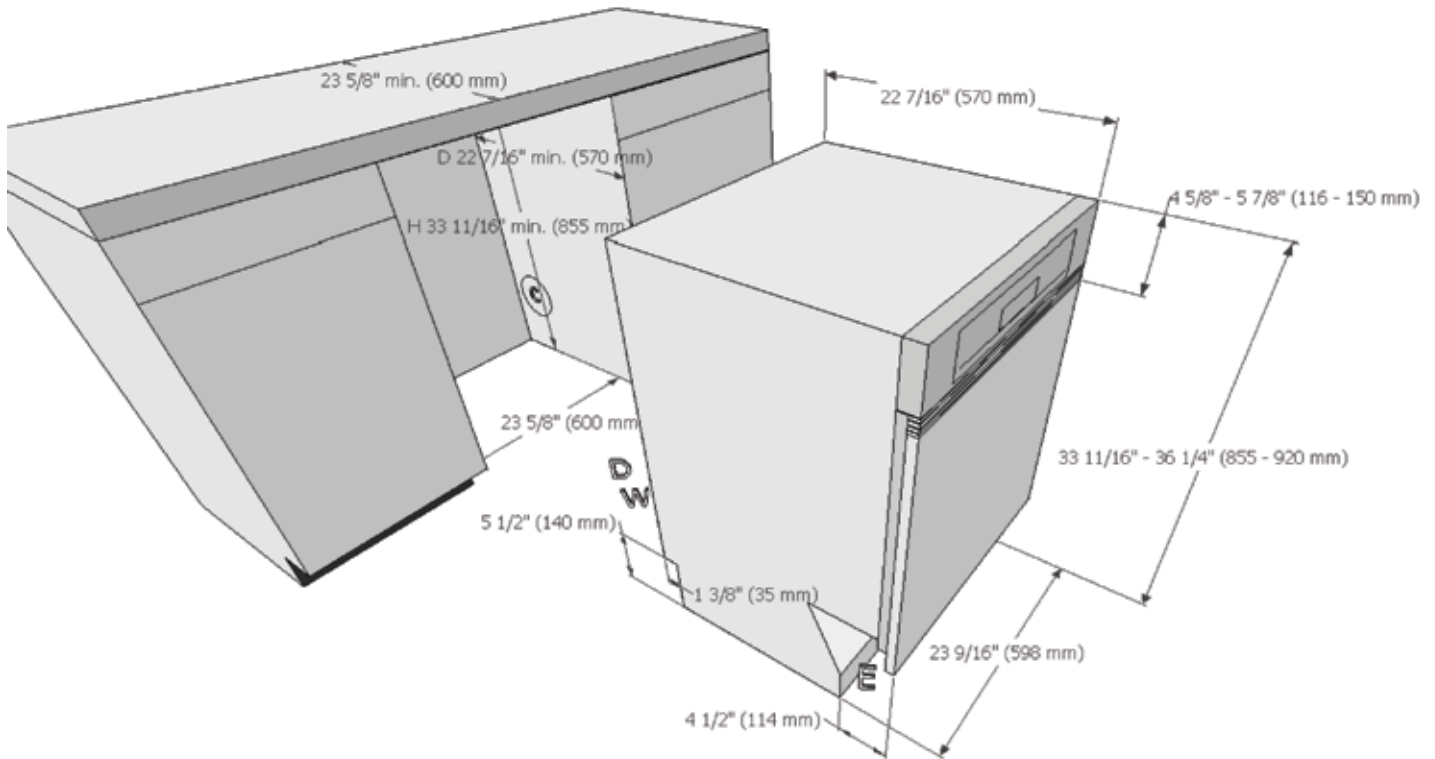
# Futura Series Dishwashers

## Model Overview



		CLASSIC	CRYSTAL	DIMENSION	DIMENSION SLIMLINE	DIAMOND	PROFI LINE
Baskets	FlexiCare	•					
	FlexiCare Plus		•		•		
	FlexiCare Premium			•			
	FlexiCare Deluxe					•	•
Cutlery	Cutlery basket	•	•				
	Cutlery tray	•	•		•		
	3D cutlery tray			•		•	•
Convenience	AutoClose					•	•
	BrilliantLight					•	•
	Delay Start	•	•	•		•	•
	RemoteVision™					•	
	ComfortClose	•	•	•		•	•
	Perfect GlassCare		•	•	•	•	•
	Water softener		•	•	•	•	•
	ADA compliant*	•*		•*	•		
	Q Acoustic ratings	Q1	Q2	Q4	Q3	Q5	Q1
Sensors	AutoSensor	•	•	•	•	•	
	SensorDry			•		•	
	Automatic Load-Size Sensor					•	
Finishes	Pre-finished (Black or White)	•	•				
	Pre-finished (Clean Touch Steel™)	•	•	•			
	Integrated - I (Clean Touch Steel™)			•	•	•	
	Fully Integrated - Vi (Custom Panel)	•		•	•	•	•
	Fully Integrated - SC SF (Clean Touch Steel™)	•	•	•		•	
Programs	Normal	•	•	•	•	•	•
	Express		•		•	•	
	Rinse & Hold	•	•	•	•	•	
	SaniWash	•	•	•	•	•	
	Pots & Pans	•	•	•	•	•	•
	Economy	•					
	China & Crystal		•	•	•	•	•
	Turbo Mode	•	•	•		•	
	Intensive Mode			•		•	
Diamond Programs	ExtraQuiet			•		•	
	Heavy Soil					•	
	SensorWash					•	
	Light					•	
	Energy Saver					•	
	Plastics					•	•
	Starch/Cheese					•	
	Tall Items					•	
	Glass - No Rinse Aid (Warm)					•	
	Glass - No Rinse Aid (Cold)					•	
						•	
ProfiLine Programs	ProSpeed 23 minute cycle						•
	Universal						•
	Sanitize						•
	Beer Glasses						•
Drying	CleanAir™	•	•	•	•	•	•
	Advanced CleanAir™					•	•
	AutoOpen™ Drying			•		•	•

\* Classic G 4281 SCVi and Dimension G 5670 SCVi are ADA compliant



## Location Codes

**C** - Cutout 1 3/8" x 1 3/4" (34 mm x 35 mm) for water, drain and electric pass-through.

Adjust according to water and drain location.

**D** - 5 foot (1.5 meter) flexible drain hose connects lower center rear.

**E** - 5 foot (1.5 meter)– 120 Volt – 15 Amp 3-wire molded plug power supply connects front terminal or can be hardwired.

**W** - 5 foot flexible water intake hose with a 3/8" compression fitting nut connects lower center rear.

## Notes

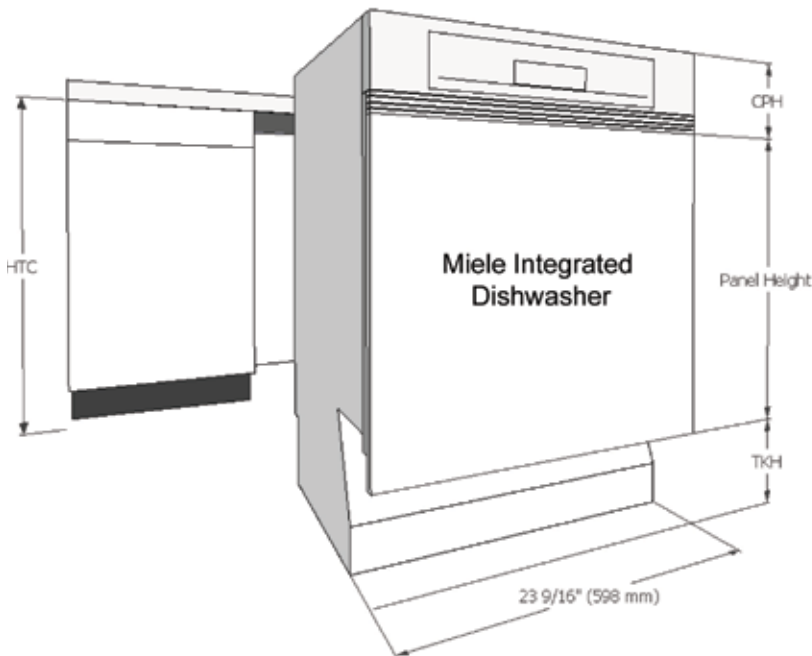
All installations must be done in accordance with local codes.

Drawing is not to scale

Specification Sheets OJS 11012011

## Custom Panel Installations

Some Miele dishwashers do not come equipped with a front panel. These dishwashers are designed to accept a custom door panel supplied by the cabinet maker. Miele has a unique panel integration system which allows the dishwasher to align with the surrounding cabinets.



**Width:** 23 9/16" (598 mm) in all cases

**Thickness:** 3/4" (19 mm) in all cases

**Height:** Determined using the following calculation:

$$\text{Panel Height} = \text{HTC} - \text{CPH} - \text{TKH}$$

**HTC** = Height to the underside of countertop

**CPH** = Control panel height (**Note 1**)

**TKH** = Toe kick height

**Note:** Control panel height is determined by the height of the adjoining drawers in the cabinets. The height is adjustable between 4 5/8" and 5 7/8" (116-150 mm) with spacer strips provided.

**Maximum panel height:** 27 1/4" (692 mm)

**Minimum panel height:** 21 1/4" (540 mm)

**Maximum panel weight:** 23 Pounds (10.4 kg)

## GDU Kit Installations

Miele offers pre-fabricated panels for all integrated units called GDU kits. These panels are designed for various toe-kick heights and include a black plastic toe kick cover.

### GDU 60/65-1 4" Toekick

This GDU accepts a custom insert:  
 Height: 25 11/16" (650 mm)  
 Width 23 1/8" (587 mm)  
 Thick 1/8" (3 mm)

Exposed toe-kick

### GDU 60/60-1 6" Toekick

This GDU accepts a custom insert:  
 Height: 23 5/8" (600 mm)  
 Width 23 1/8" (587 mm)  
 Thick 1/8" (3 mm)

Exposed toe-kick

Drawing is not to scale

Specification Sheets OJS 11012011

		Height to underside of countertop										
		33 3/4	34	34 1/4	34 1/2	34 3/4	35	35 1/4	35 1/2	35 3/4	36	
Toe Kick Height	2 1/2											
	3											
	3 1/2											
	4											
	4 1/2											
	5											
	5 1/2											
	6											
	6 1/2											
	7											
	7 1/2											
	8											
	8 1/2											
						Acceptable combinations						
					Typical American installation							