

## Futura Series

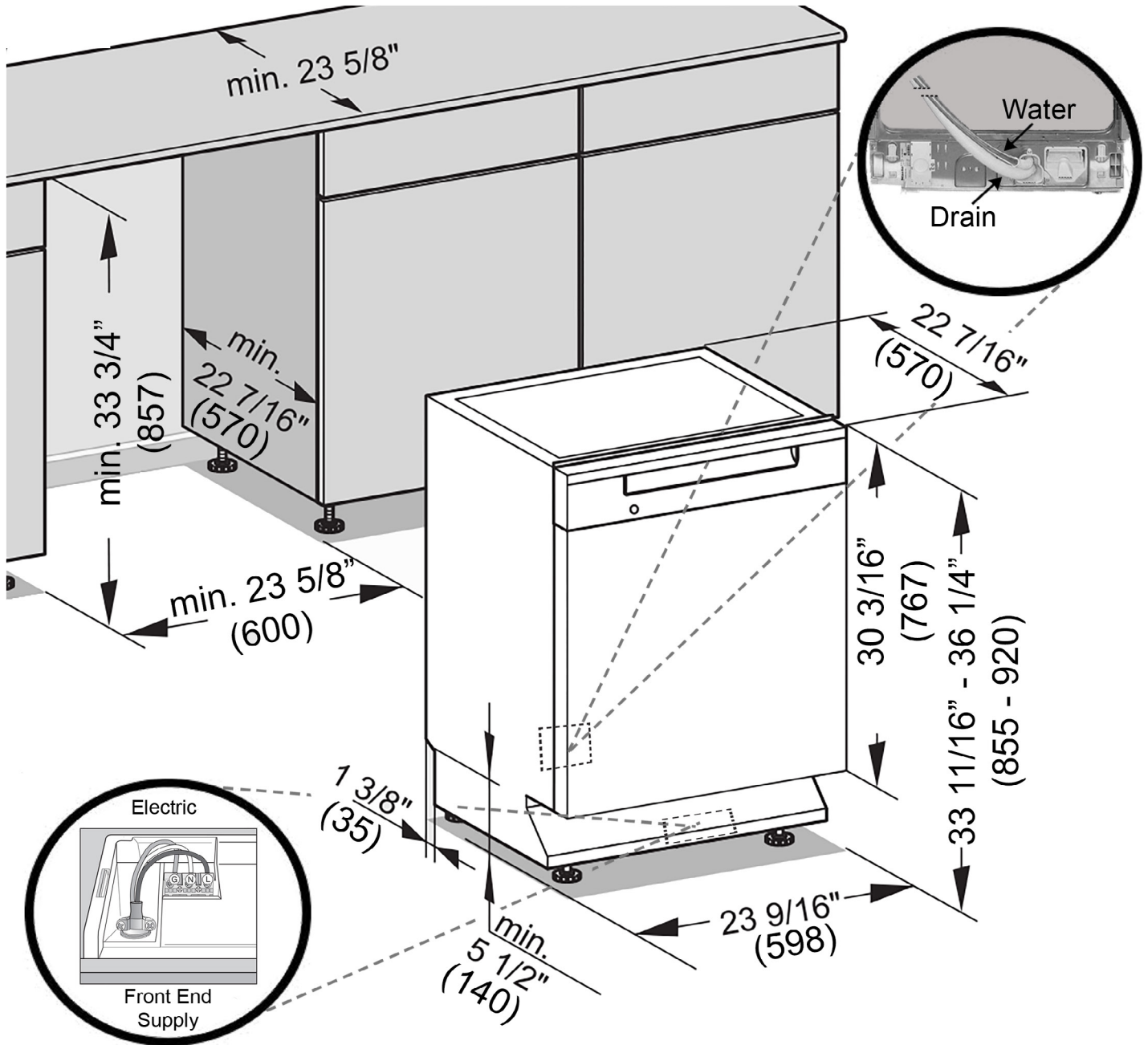
### Pre-Finished Dishwashers

CLASSIC PLUS	G 4925 U, G 4925 SCU
CRYSTAL	G 6105 U, G 6105 SCU
DIMENSION	G 6305 SCU



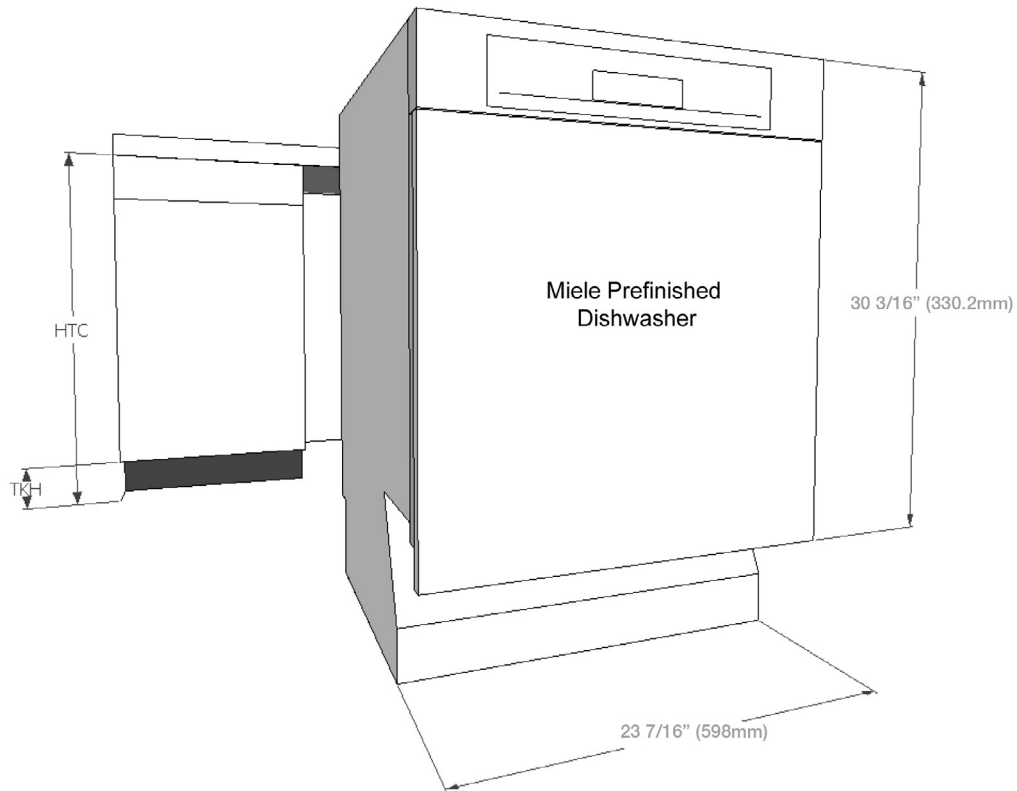
SPECIFICATIONS	
Overall Unit Width	23 <sup>9</sup> / <sub>16</sub> " (598mm)
Overall Unit Height	33 <sup>11</sup> / <sub>16</sub> " - 36 <sup>1</sup> / <sub>4</sub> " (855 - 920mm)
Overall Unit Depth	22 <sup>7</sup> / <sub>16</sub> " (570mm)
Niche	
Minimum Cabinet Opening Width	23 <sup>5</sup> / <sub>8</sub> " (600mm)
Minimum Cabinet Opening Height	33 <sup>3</sup> / <sub>4</sub> " (857mm)
Minimum Cabinet Opening Depth	22 <sup>7</sup> / <sub>16</sub> " (570mm)
Plumbing	
Water Supply Requirements	May be connected to a cold or hot water supply up to a maximum of 140°F/60°C. Must be connected to a shut-off valve with a male 3/8" compression. The water shut-off valve must be accessible after installation. The water pressure must be between 4.35 psi (0.3 bar) and may not exceed 145 psi (10 bar). If the pressure is higher than 145 psi (10 bar), a pressure reducing valve must be installed.
Water Connection Line	4' 11" (1.5m) flexible water intake hose is supplied with a 3/8 compression connection.
Drain Hose	4' 11" (1.5m) flexible drain hose is supplied.
Electrical	
Electrical Requirements - Volts/Amps	110V / 120V, 60Hz, 15 Amps
Power Cord - Plug and length	Yes - NEMA 5-15 plug, 5' 6" (1.7m), Convertible to Hardwire
Shipping	
Shipping Weight	118 lbs (53.5 kg)
Support	
Call Miele	800.843.7231
Miele Website	<a href="http://www.mieleusa.com">www.mieleusa.com</a>
20/20 Link	<a href="http://2020technologies.com">2020technologies.com</a>

INSTALLATION SPECIFICATIONS



- Drain** - 4 ft 11 in (1.5 m) flexible drain hose. (Connects from lower center rear)
- Water** - 4 ft 11 in (1.5 m) flexible water intake hose with  $\frac{3}{8}$ " compression fitting. (Connects from lower center rear)
- Electric** - 4 ft 11 in (1.5 m) 120V 15 A 3 wire molded NEMA 5-15 plug power supply. (Connects via Front End Supply or may be hardwired)

Panel Specification



**Panel and Control Prefinished**

**Width:** 23 7/16" (595 mm)

**Thickness:** 3/4" (19 mm)

**Height:** 30 3/16" (767 mm)

**Calculating the toe kick height:**

$$30 \frac{3}{16}'' - \text{HTC} = \text{TKH}$$

**HTC** = Height to underside of countertop

**TKH** = Toe kick height

Acceptable Height Installation

Height to underside of countertop

	33 3/4	34	34 1/4	34 1/2	34 3/4	35	35 1/4	35 1/2	35 3/4	36
2 1/2	Acceptable	Acceptable	Acceptable	Acceptable	Acceptable	Not Acceptable	Not Acceptable	Not Acceptable	Not Acceptable	Not Acceptable
3	Acceptable	Acceptable	Acceptable	Acceptable	Acceptable	Acceptable	Acceptable	Acceptable	Not Acceptable	Not Acceptable
3 1/2	Acceptable	Acceptable	Acceptable	Acceptable	Acceptable	Acceptable	Acceptable	Acceptable	Acceptable	Acceptable
4	Acceptable	Acceptable	Acceptable	Typical American	Acceptable	Acceptable	Acceptable	Acceptable	Acceptable	Acceptable
4 1/2	Acceptable	Acceptable	Acceptable	Acceptable	Acceptable	Acceptable	Acceptable	Acceptable	Acceptable	Acceptable
5	Acceptable	Acceptable	Acceptable	Acceptable	Acceptable	Acceptable	Acceptable	Acceptable	Acceptable	Acceptable
5 1/2	Acceptable	Acceptable	Acceptable	Acceptable	Acceptable	Acceptable	Acceptable	Acceptable	Acceptable	Acceptable
6	Acceptable	Acceptable	Acceptable	Acceptable	Acceptable	Acceptable	Acceptable	Acceptable	Acceptable	Acceptable
6 1/2	Acceptable	Acceptable	Acceptable	Acceptable	Acceptable	Acceptable	Acceptable	Acceptable	Acceptable	Acceptable
7	Not Acceptable	Not Acceptable	Acceptable	Acceptable	Acceptable	Acceptable	Acceptable	Acceptable	Acceptable	Acceptable
7 1/2	Not Acceptable	Not Acceptable	Not Acceptable	Not Acceptable	Not Acceptable	Acceptable	Acceptable	Acceptable	Acceptable	Acceptable
8	Not Acceptable	Not Acceptable	Not Acceptable	Not Acceptable	Not Acceptable	Not Acceptable	Not Acceptable	Not Acceptable	Acceptable	Acceptable
8 1/2	Not Acceptable	Not Acceptable	Not Acceptable	Not Acceptable	Not Acceptable	Not Acceptable	Not Acceptable	Not Acceptable	Not Acceptable	Not Acceptable

