

Futura Series

Slimline Fully Integrated Dishwasher

DIMENSION G 4580 SCVi



Futura Series Dishwashers

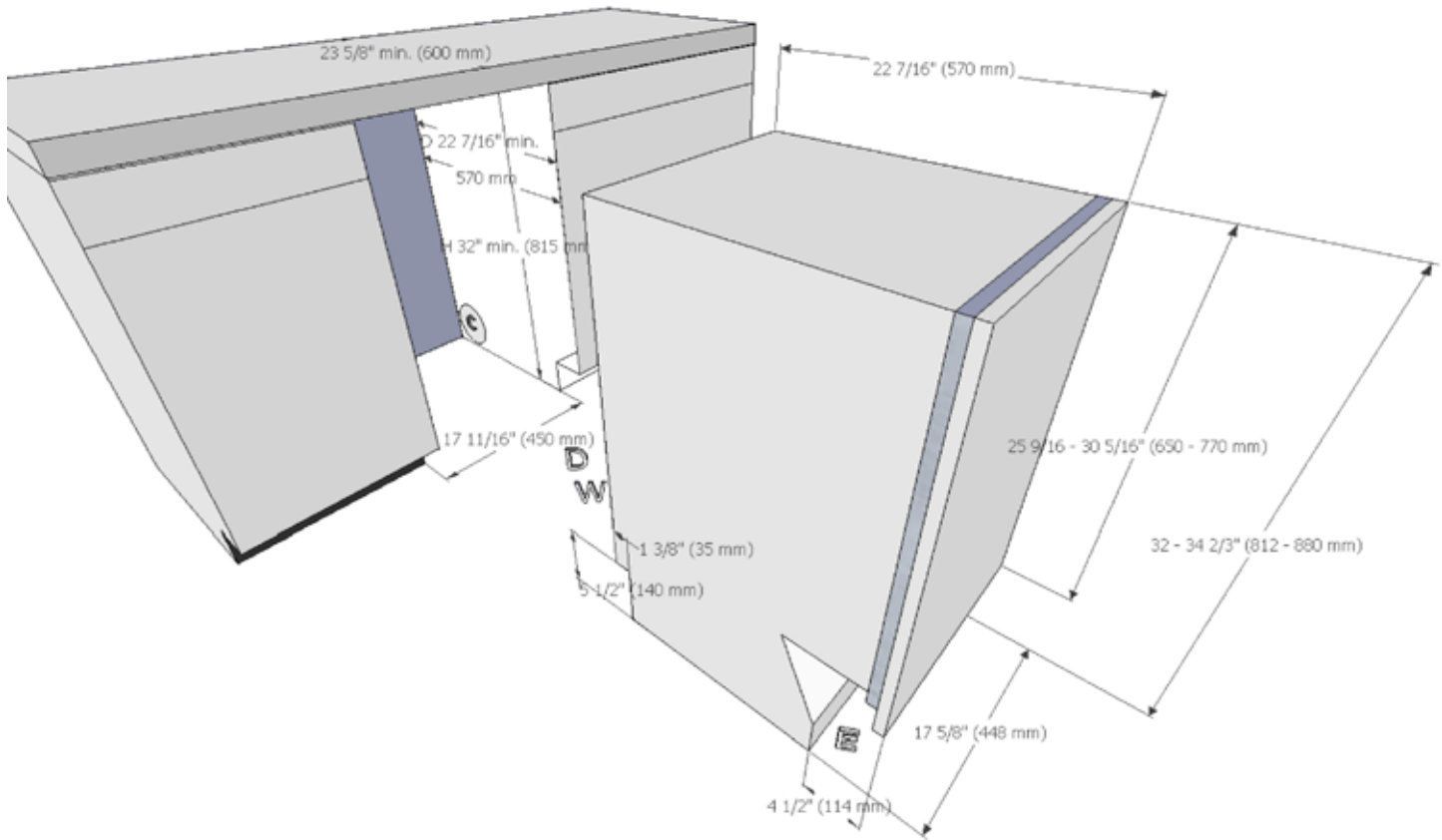
Model Overview



| | | CLASSIC | CRYSTAL | DIMENSION | DIMENSION SLIMLINE | DIAMOND | PROFI LINE |
|--------------------|---|---------|---------|-----------|--------------------|---------|------------|
| Baskets | FlexiCare | • | | | | | |
| | FlexiCare Plus | | • | | • | | |
| | FlexiCare Premium | | | • | | | |
| | FlexiCare Deluxe | | | | | • | • |
| Cutlery | Cutlery basket | • | • | | | | |
| | Cutlery tray | • | • | | • | | |
| | 3D cutlery tray | | | • | | • | • |
| Convenience | AutoClose | | | | | • | • |
| | BrilliantLight | | | | | • | • |
| | Delay Start | • | • | • | | • | • |
| | RemoteVision™ | | | | | • | |
| | ComfortClose | • | • | • | | • | • |
| | Perfect GlassCare | | • | • | • | • | • |
| | Water softener | | • | • | • | • | • |
| | ADA compliant* | •* | | •* | • | | |
| | Q Acoustic ratings | Q1 | Q2 | Q4 | Q3 | Q5 | Q1 |
| Sensors | AutoSensor | • | • | • | • | • | |
| | SensorDry | | | • | | • | |
| | Automatic Load-Size Sensor | | | | | • | |
| Finishes | Pre-finished (Black or White) | • | • | | | | |
| | Pre-finished (Clean Touch Steel™) | • | • | • | | | |
| | Integrated - I (Clean Touch Steel™) | | | • | • | • | |
| | Fully Integrated - Vi (Custom Panel) | • | | • | • | • | • |
| | Fully Integrated - SC SF (Clean Touch Steel™) | • | • | • | | • | |
| Programs | Normal | • | • | • | • | • | |
| | Express | | • | | • | • | |
| | Rinse & Hold | • | • | • | • | • | |
| | SaniWash | • | • | • | • | • | |
| | Pots & Pans | • | • | • | • | • | • |
| | Economy | • | | | | | |
| | China & Crystal | | • | • | • | • | • |
| | Turbo Mode | • | • | • | | • | |
| | Intensive Mode | | | • | | • | |
| Diamond Programs | ExtraQuiet | | | • | | • | |
| | Heavy Soil | | | | | • | |
| | SensorWash | | | | | • | |
| | Light | | | | | • | |
| | Energy Saver | | | | | • | |
| | Plastics | | | | | • | • |
| | Starch/Cheese | | | | | • | |
| | Tall Items | | | | | • | |
| | Glass - No Rinse Aid (Warm) | | | | | • | |
| | Glass - No Rinse Aid (Cold) | | | | | • | |
| | | | | | | | |
| ProfiLine Programs | ProSpeed 23 minute cycle | | | | | | • |
| | Universal | | | | | | • |
| | Sanitize | | | | | | • |
| | Beer Glasses | | | | | | • |
| Drying | CleanAir™ | • | • | • | • | • | • |
| | Advanced CleanAir™ | | | | | • | • |
| | AutoOpen™ Drying | | | • | | • | • |

* Classic G 4281 SCVi and Dimension G 5670 SCVi are ADA compliant

Futura Series Slimline Fully Integrated Dishwashers



Location Codes

C – Cutout 2 1/4" x 4" (58 mm x 102 mm) for water, drain and electric pass-through.

Adjust according to water and drain location.

D - 5 foot (1.5 meter) flexible drain hose connects lower center rear.

E - 5 foot (1.5 meter)– 120 Volt – 15 Amp 3-wire molded plug power supply connects lower left rear.

W - 5 foot (1.5 meter) "Double Waterproof" flexible water intake hose connects lower center rear.

Notes

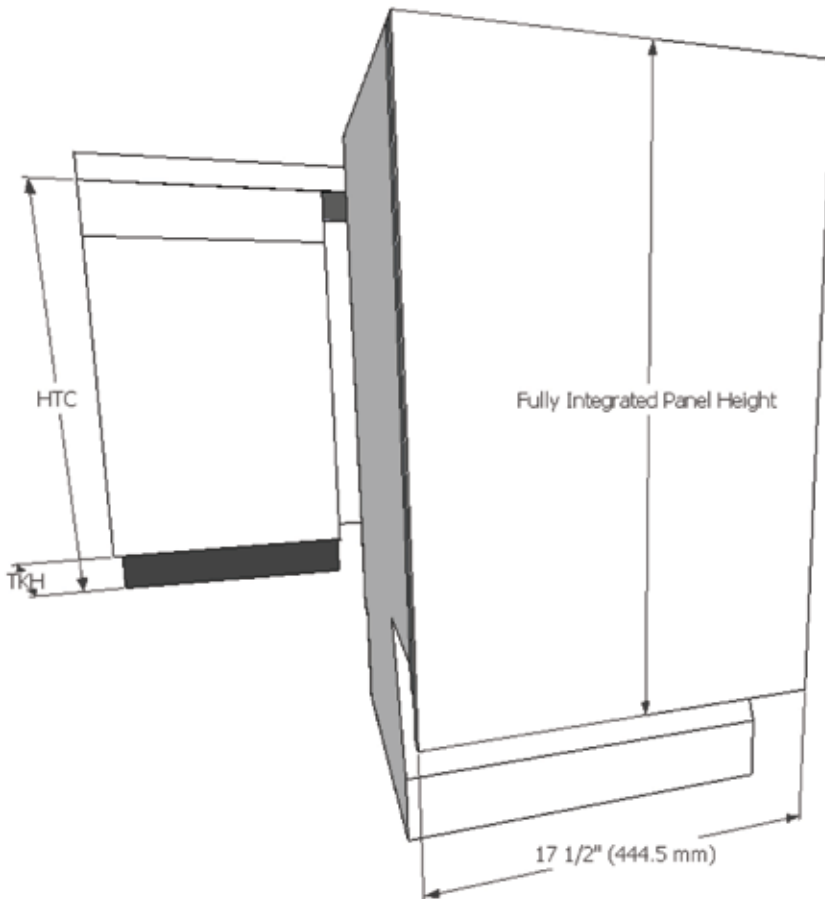
All installations must be done in accordance with local codes.

Drawing is not to scale

Specification Sheets OJS 11032011

Custom Panel Installations

Some Miele dishwashers do not come equipped with a front panel. These dishwashers are designed to accept a custom door panel supplied by the cabinet maker. Miele has a unique panel integration system which allows the dishwasher to align with the surrounding cabinets.



- Width:** 17 1/2" (445 mm) in all cases
- Thickness:** 3/4" (19 mm) in all cases
- Height:** Determined using the following calculation:
Panel Height = HTC – TKH

HTC = Height to the underside of countertop
TKH = Toe kick height

Note: Control panel is along the top edge of the unit. It is not visible when the unit is closed. A handle **MUST** be located on the front panel in order to open the unit.

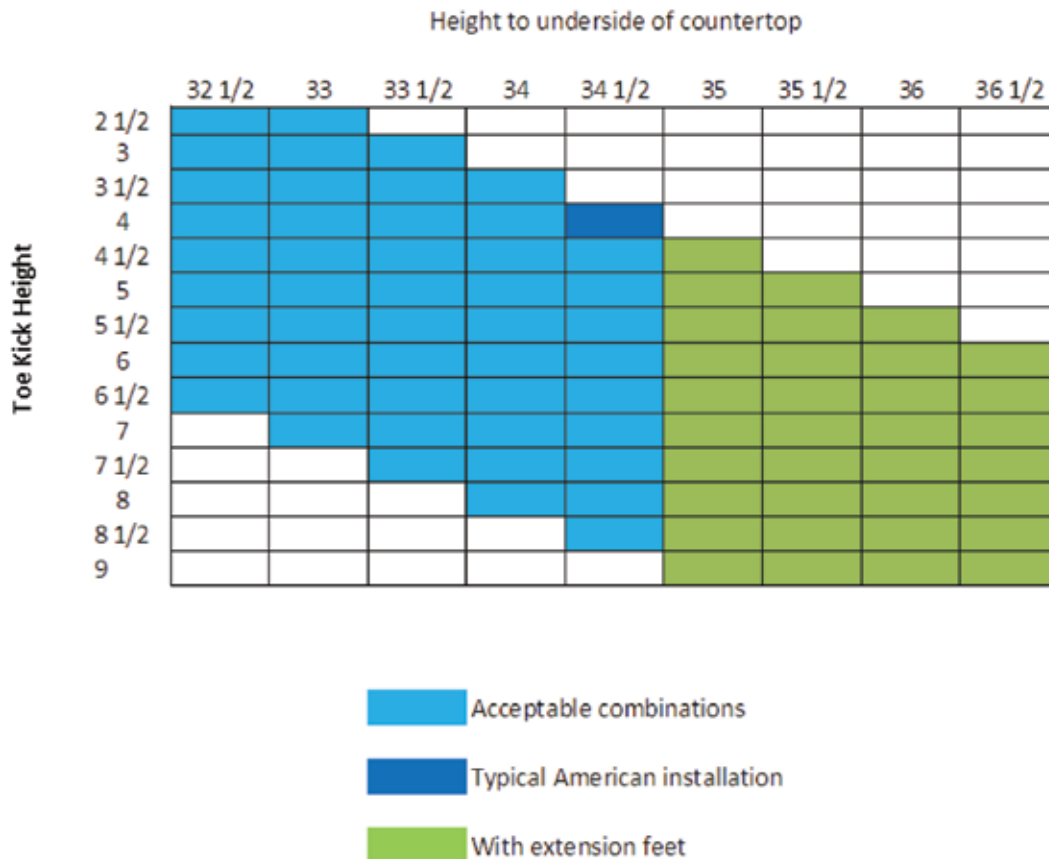
- Maximum panel height: 30 5/16" (770 mm)
- Minimum panel height: 25 9/16" (650 mm)
- Maximum panel weight: 21 Pounds (9.5 kg)

GFVI Installations

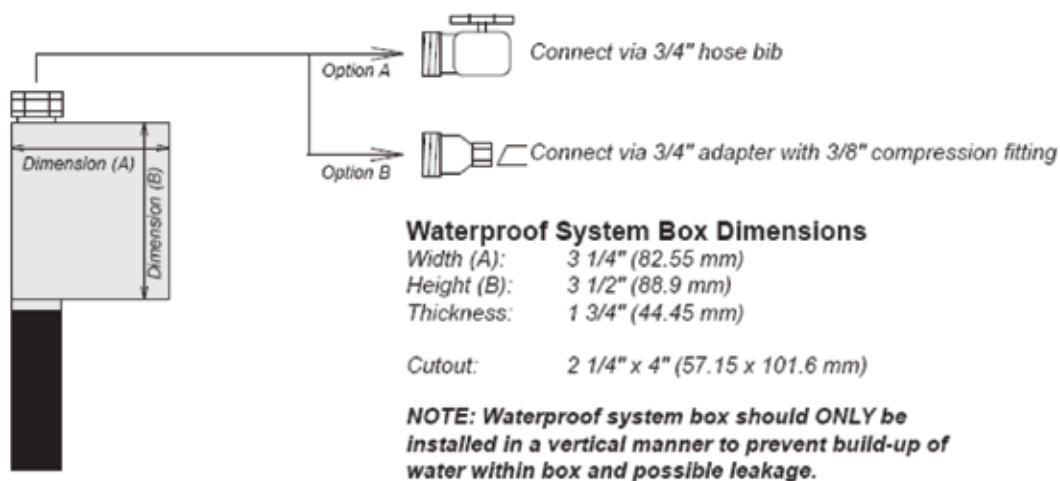
Miele offers pre-fabricated stainless steel panels for all fully integrated units. These panels are designed for various toe-kick heights and offer a choice of handle options.

Drawing is not to scale

Specification Sheets OJS 11032011



Water Connection



Waterproof System

Temperature: 110° - 130° F
 Pressure: 4.5 - 145 PSI
 Drain hose: 7/8" ID - 5 feet (1.5 meters) long