

## G 7591 SCVi 24" Fully Integrated Dishwasher, K2o (ADA)

### Features:

- AutoDos - an integrated automatic detergent dispensing system
- DirectSensor Controls - intuitive touch controls
- QuickIntenseWash - a full wash and dry cycle in 58 minutes
- 40 dBa (38 dBa when using ExtraQuiet)
- 3D MultiFlex Cutlery Tray
- WifiConn@ct
- Panel-Ready
- Knock2Open
- Water Softener
- ADA Compliant
- EnergyStar

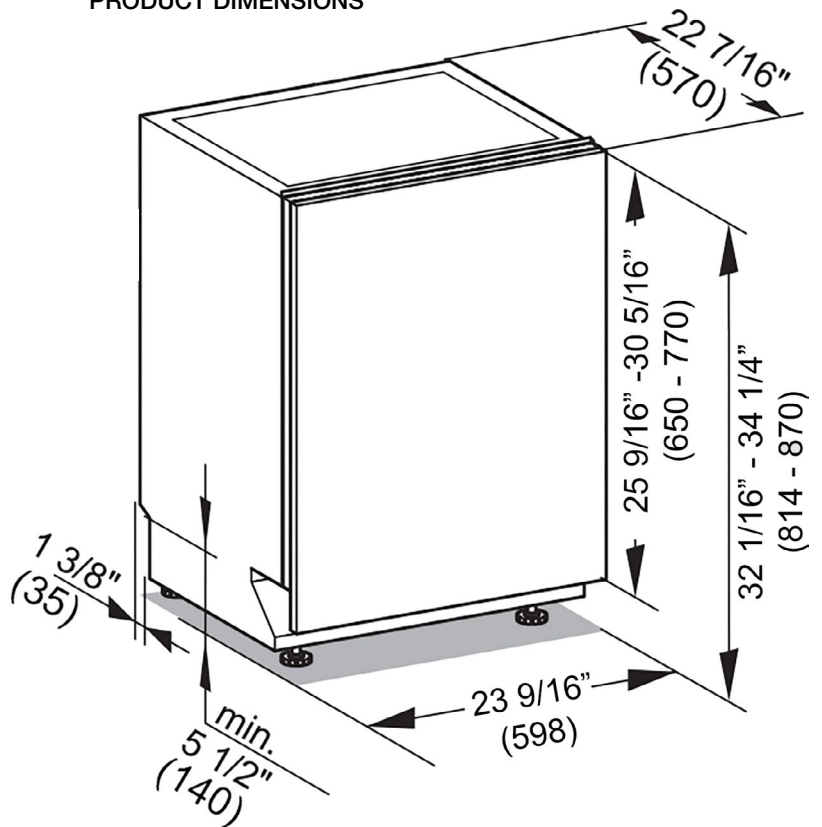
### MATERIAL #

11388260

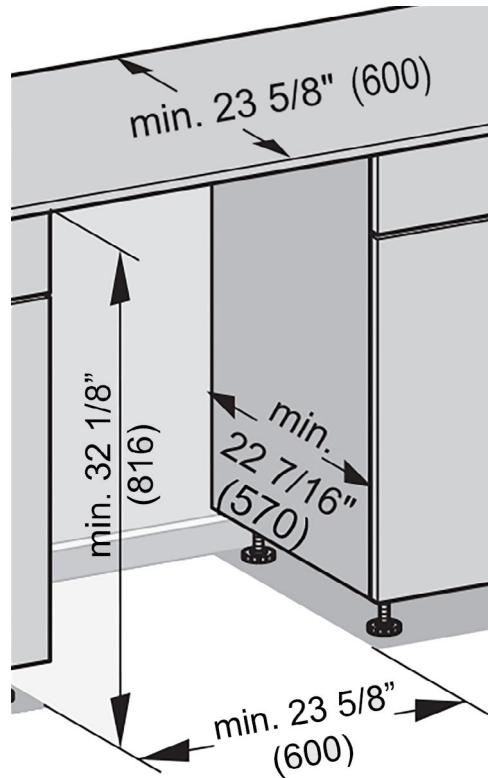


SPECIFICATIONS	
Overall Unit Dimensions	23 <sup>9</sup> / <sub>16</sub> " (598 mm) W x 32 <sup>1</sup> / <sub>16</sub> " - 34 <sup>1</sup> / <sub>4</sub> " (814 - 870 mm) H x 22 <sup>7</sup> / <sub>16</sub> " (570 mm) D [Depth does not include door panel]
<b>Niche</b>	
Minimum Cabinet Niche Opening	23 <sup>5</sup> / <sub>8</sub> " (600 mm) W x 32 <sup>1</sup> / <sub>8</sub> " (814 mm) H x 22 <sup>7</sup> / <sub>16</sub> " (570 mm) D
<b>Plumbing</b>	
Water Supply Requirements	<ul style="list-style-type: none"> <li>• Cold or Hot (max 150°F/65°C) water connection</li> <li>• Male 3/8" compression fitting</li> <li>• Water pressure range 7.25 psi (0.5 bar) and 145 psi (10 bar)</li> </ul>
Water Connection Line (Supplied)	Length: 5 ft (1.5 m) Female 3/8" compression.
Drain Hose (Supplied)	Length: 5 ft (1.5 m) 7/8" (22 mm) internal diameter
<b>Electrical</b>	
Electrical Requirements	110V / 120V, 60Hz, 15 Amps
Power Cord (Convertible to hardwire)	NEMA 5-15 plug, 5 ft (1.52 m)
<b>Shipping</b>	
Shipping Weight	121 lbs (55 kg)
Shipping Dimensions	27 <sup>1</sup> / <sub>8</sub> " W x 38 <sup>1</sup> / <sub>8</sub> " H x 26 <sup>3</sup> / <sub>8</sub> " D

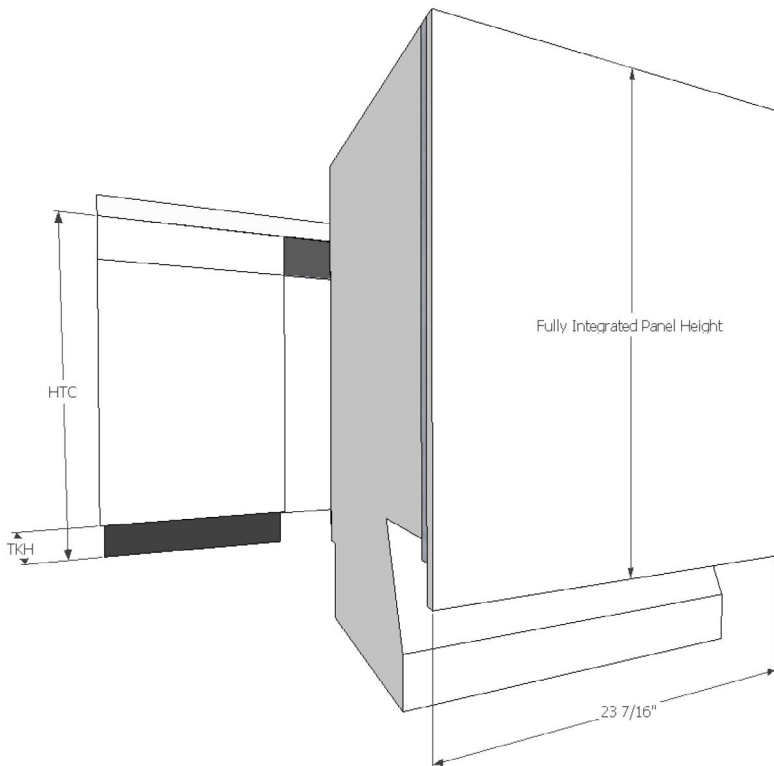
### PRODUCT DIMENSIONS



## CUTOUT DIMENSIONS



## CUSTOM PANEL



- Width:** 23 7/16" (598 mm) in all cases
- Thickness:** 3/4" (19 mm) in all cases
- Height:** Determined using the following calculation:  
**Panel Height = HTC – TKH**

**HTC** = Height to the underside of countertop

**TKH** = Toe kick height

**Note:** Control panel is along the top edge of the unit. It is not visible when the unit is closed. A handle **MUST** be located on the front panel in order to open the unit.

Maximum panel height: 30 3/8" (772 mm)

Minimum panel height: 25 5/8" (650 mm)

Maximum panel weight: 24 1/4 lbs (11 kg)