

G 7596 SCVi 24" Fully Integrated Dishwasher

Features:

- AutoDos - an integrated automatic detergent dispensing system
- DirectSensor Controls - intuitive touch controls
- QuickIntenseWash - a full wash and dry cycle in 58 minutes
- 40 dBa (38 dBa when using ExtraQuiet)
- 3D MultiFlex Cutlery Tray
- WifiConn@ct
- Panel-Ready
- Knock2Open
- Water Softener
- EnergyStar

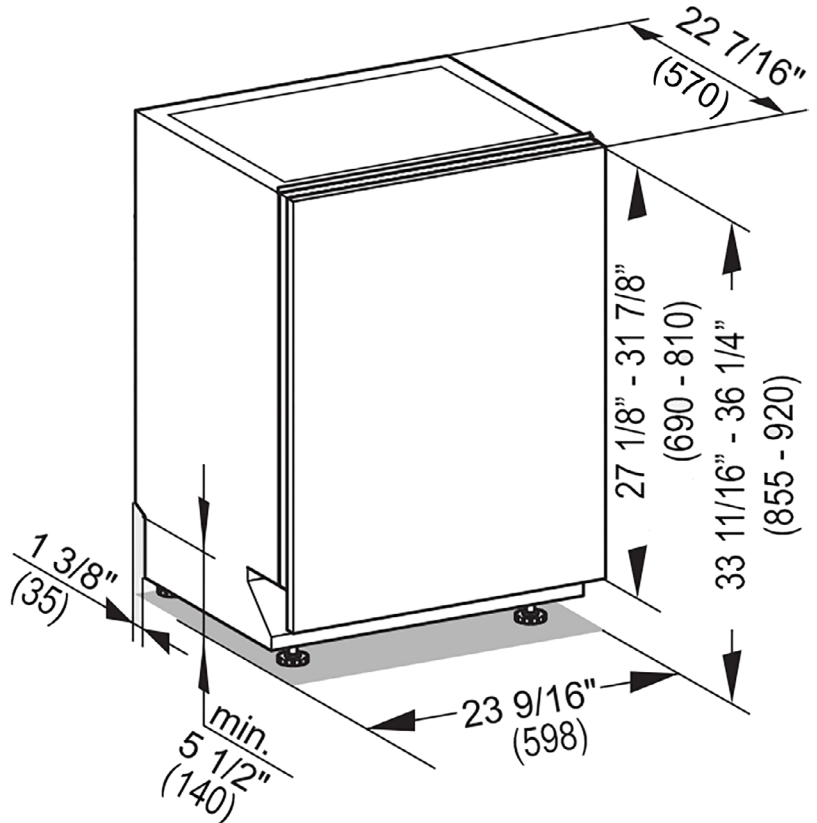
MATERIAL

11388280

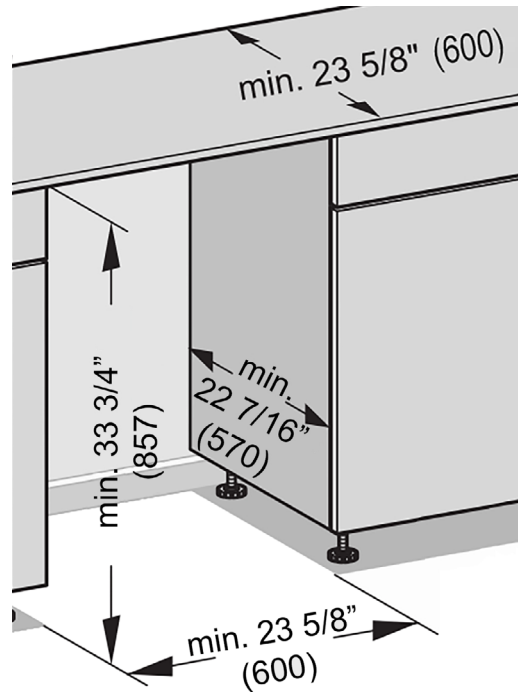


SPECIFICATIONS	
Overall Unit Dimensions	23 ⁹ / ₁₆ " (598 mm) W x 33 ¹¹ / ₁₆ " - 36 ¹ / ₄ " (855 - 920 mm) H x 22 ⁷ / ₁₆ " (570 mm) D [Depth does not include door panel]
Niche	
Minimum Cabinet Niche Opening	23 ⁵ / ₈ " (600 mm) W x 33 ³ / ₄ " (857 mm) H x 22 ⁷ / ₁₆ " (570 mm) D
Plumbing	
Water Supply Requirements	<ul style="list-style-type: none"> • Cold or Hot (max 150°F/65°C) water connection • Male 3/8" compression fitting • Water pressure range 7.25 psi (0.5 bar) and 145 psi (10 bar)
Water Connection Line (Supplied)	Length: 5 ft (1.5 m) Female 3/8" compression.
Drain Hose (Supplied)	Length: 5 ft (1.5 m) 7/8" (22 mm) internal diameter
Electrical	
Electrical Requirements	110V / 120V, 60Hz, 15 Amps
Power Cord (Convertible to hardwire)	NEMA 5-15 plug, 5 ft (1.52 m)
Shipping	
Shipping Weight	121 lbs (55 kg)
Shipping Dimensions	27 ¹ / ₈ " W x 38 ¹ / ₈ " H x 26 ³ / ₈ " D

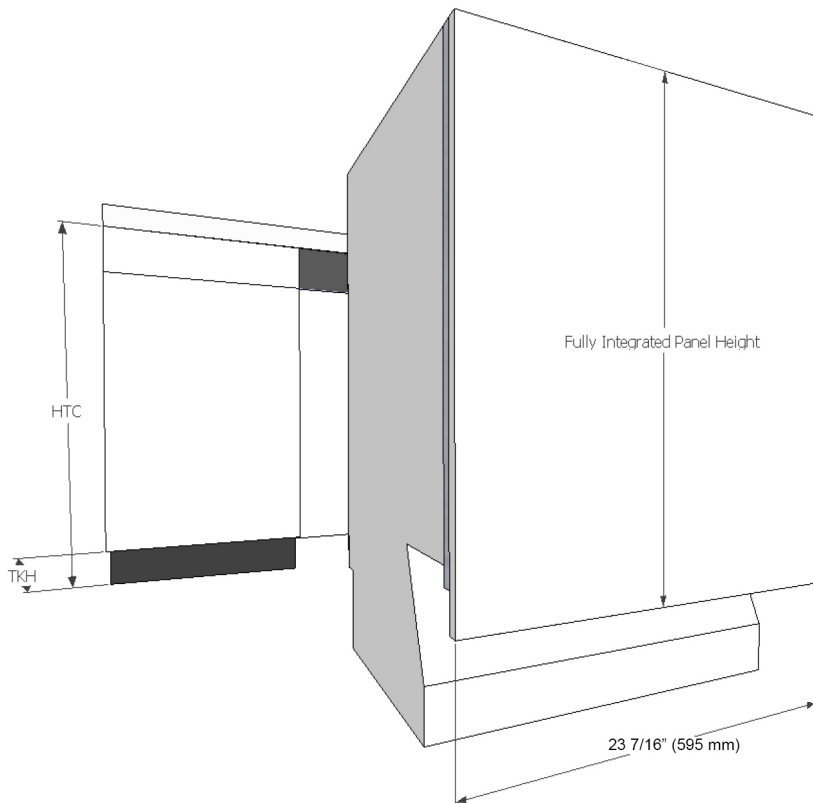
PRODUCT DIMENSIONS



CUTOUT DIMENSIONS



CUSTOM PANEL



Width: 23 7/16" (595 mm) in all Cases
Thickness: 3/4" (19 mm) in all Cases
Height: Determined using the following calculation:

$$\text{Panel Height} = \text{HTC} - \text{TKH}$$

HTC = Height to the underside of countertop
TKH = Toe kick height

Note: Control panel is along the top edge of the unit. It is not visible when the unit is closed. A handle **MUST** be located on front of panel in order to open unit. (Except K2o models).

Maximum panel height: 31 7/8" (810 mm)

Minimum panel height: 27 1/8" (690 mm)

Maximum panel weight: 26 lbs (12 kg)