

## G 7916 SCi 24" Semi-Integrated Dishwasher

### Features:

- AutoDos - an integrated automatic detergent dispensing system
- M Touch S Controls - an intuitive touch display
- QuickIntenseWash - a full wash and dry cycle in 58 minutes
- 40 dBA (38 dBA when using ExtraQuiet)
- 3D MultiFlex Cutlery Tray
- WifiConn@ct
- Panel-Ready
- Water Softener
- EnergyStar

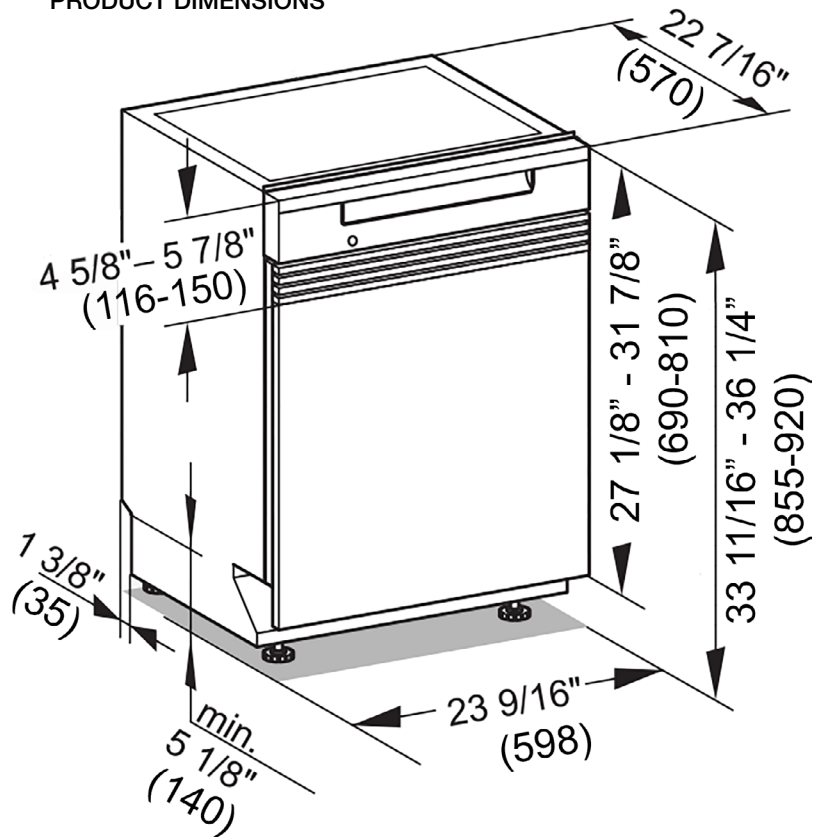
### MATERIAL #

11388290

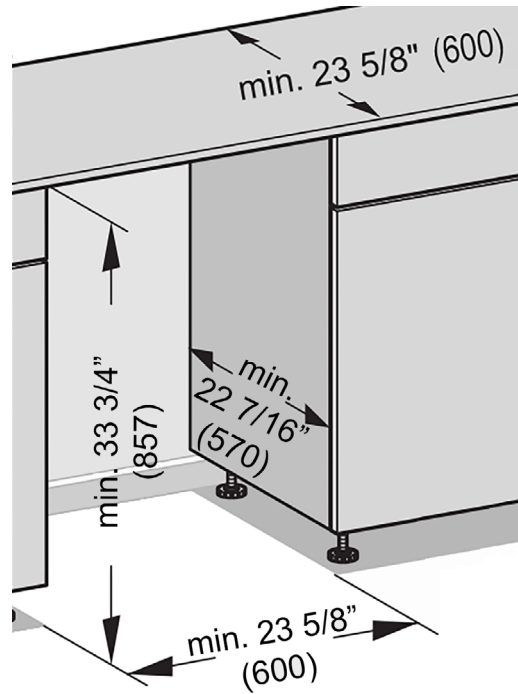


SPECIFICATIONS	
Overall Unit Dimensions	23 <sup>9</sup> / <sub>16</sub> " (598 mm) W x 33 <sup>11</sup> / <sub>16</sub> " - 36 <sup>1</sup> / <sub>4</sub> " (855 -920 mm) H x 22 <sup>7</sup> / <sub>16</sub> " (570 mm) D [Depth does not include door panel]
<b>Niche</b>	
Minimum Cabinet Niche Opening	23 <sup>5</sup> / <sub>8</sub> " (600 mm) W x 33 <sup>3</sup> / <sub>4</sub> " (857 mm) H x 22 <sup>7</sup> / <sub>16</sub> " (570 mm) D
<b>Plumbing</b>	
Water Supply Requirements	<ul style="list-style-type: none"> <li>• Cold or Hot (max 150°F/65°C) water connection</li> <li>• Male 3/8" compression fitting</li> <li>• Water pressure range 7.25 psi (0.5 bar) and 145 psi (10 bar)</li> </ul>
Water Connection Line (Supplied)	Length: 5 ft (1.5 m) Female 3/8" compression.
Drain Hose (Supplied)	Length: 5 ft (1.5 m) 7/8" (22 mm) internal diameter
<b>Electrical</b>	
Electrical Requirements	110V / 120V, 60Hz, 15 Amps
Power Cord (Convertible to hardwire)	NEMA 5-15 plug, 5 ft (1.52 m)
<b>Shipping</b>	
Shipping Weight	121 lbs (55 kg)
Shipping Dimensions	27 <sup>1</sup> / <sub>8</sub> " W x 38 <sup>1</sup> / <sub>8</sub> " H x 26 <sup>3</sup> / <sub>8</sub> " D

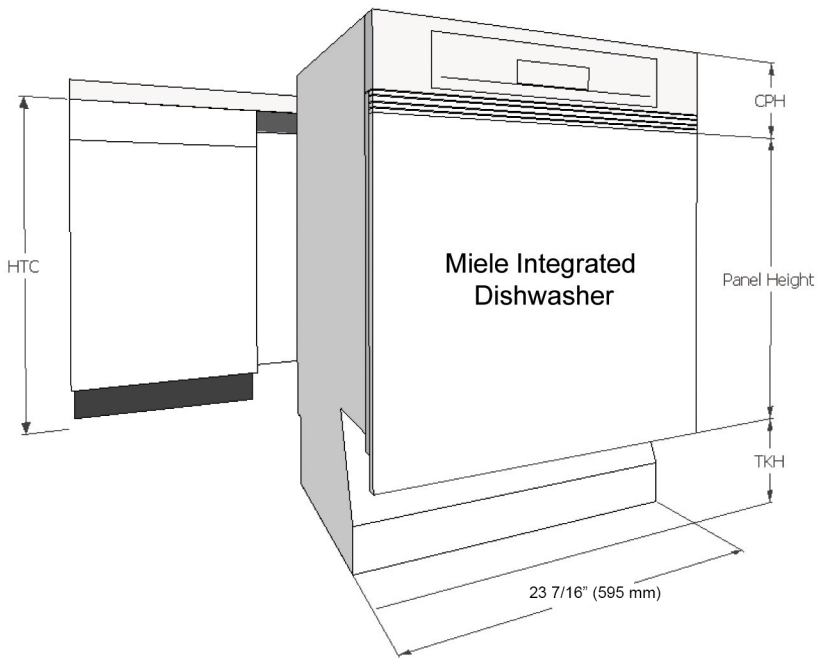
### PRODUCT DIMENSIONS



## CUTOUT DIMENSIONS



## CUSTOM PANEL



**Width:** 23 7/16" (595 mm) in all Cases  
**Thickness:** 3/4" (19 mm) in all Cases  
**Height:** Determined using the following calculation:

$$\text{Panel Height} = \text{HTC} - \text{CPH} - \text{TKH}$$

**HTC** = Height to the underside of countertop  
**CPH** = Control panel height  
**TKH** = Toe kick height

**Note:** Control panel height is determined by the height of the adjoining drawers in the cabinets. The height is adjustable between 4 5/8" and 5 7/8" (116 - 150 mm) with spacer strips provided.

Maximum panel height: 27 1/4" (692 mm)

Minimum panel height: 21 1/4" (540 mm)

Maximum panel weight: 22 lbs (10 kg)