

PG 8080i
Commercial Dishwasher



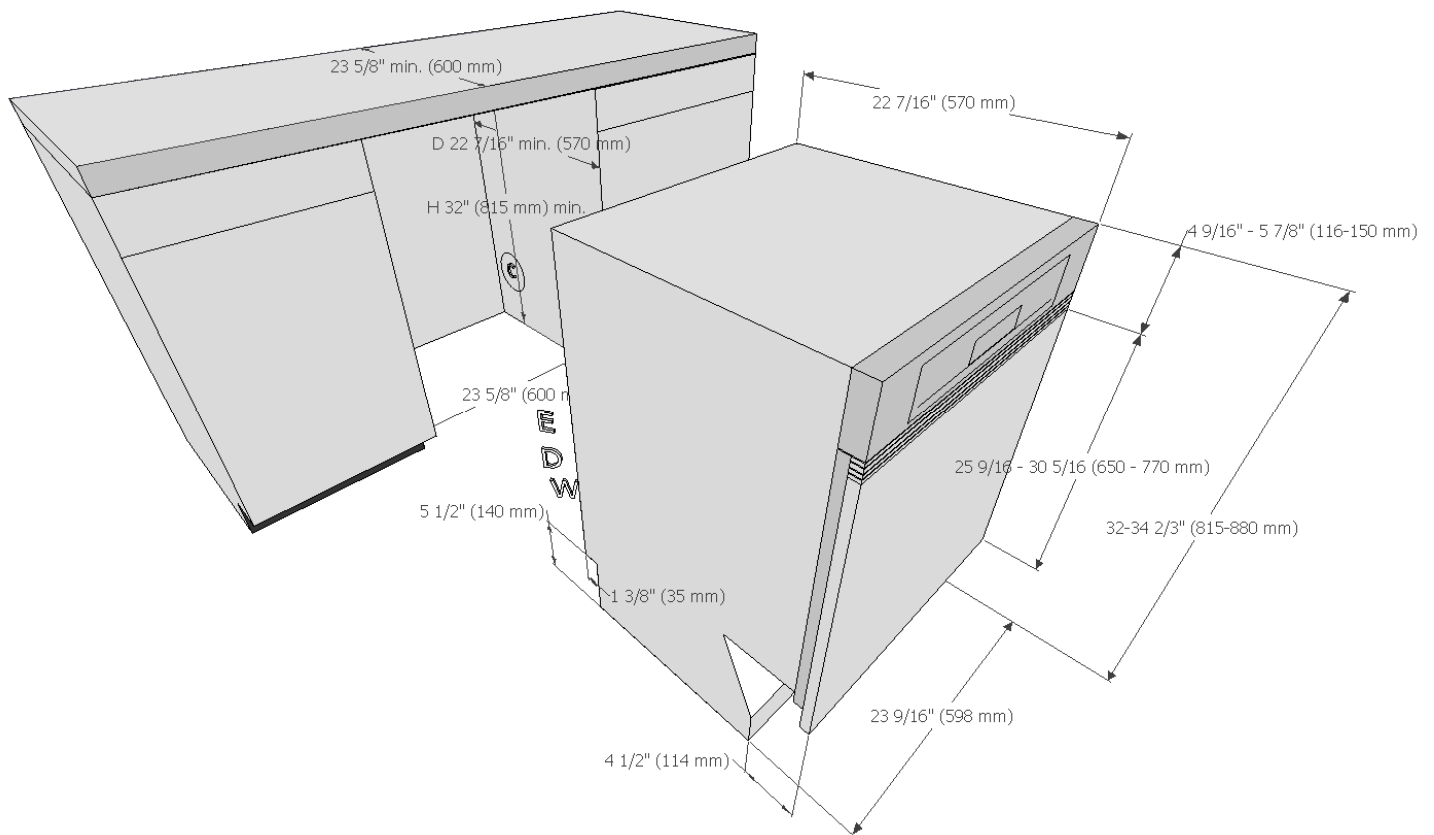
Commercial Dishwasher Model Overview



	G 8080i	G 7856	G 7859	Vita 50
Design	Integrated - needs custom panel	•		
	Stainless steel fascia	•		
	Stainless steel front panel	optional	•	•
	Undercounter	•	•	•
	Stand alone		•	•
Features	Wash programs	9	7	4
	China and Crystal Program	•	•	
	Optional detergent pump hook up		•	•
	ADA compliant	•		
	NSF approved			•
	Built-in water softener	•	•	•
	Drying	•	•	•
	Standard basket configuration	•	•	•
	Optional basket and inserts		•	•
	Temperature adjustable	86-185°F	86-158°F	86-199°F
	Delay start	•	•	•
	5 year extended warranty for home use only	•	•	
	Details	Electric:		
110 volt		•		
208-240 volt		•	•	
208 volt				•
Dimensions:				
Width:		23 ⁵ / ₈ "	23 ¹ / ₂ "	23 ¹ / ₂ "
Height:		32 - 34 ² / ₃ "	32 ¹ / ₂ " - 33 ¹ / ₂ "	32 ¹ / ₂ " - 33 ¹ / ₂ "
Depth:	23 ⁵ / ₈ "	23 ⁵ / ₈ "	23 ⁵ / ₈ "	

Product and Cut-out Dimensions

Futura Profi-Line PG8080i Integrated Dishwasher



Location Codes

C – Cutout 1 3/8" x 1 3/4" (35 mm x 44.5 mm) for water, drain and electric pass-through.
Adjust according to water and drain location.

D - 5 foot (1.5 meter) flexible drain hose connects lower center rear.

E - 5 foot (1.5 meter) power supply connects lower left. Depending on version ordered (please specify) units come with:

- 1) 120V 3 wire molded plug – NEMA 5-15P (Miele article number: 61808052USA)
- 2) 208-240V 4 wire molded plug – NEMA 14-30P (Miele article number: 61808051USA)

W - 5 foot (1.5 meter) water intake hose with a 3/8" compression fitting nut, connects lower center rear.

Notes

All installations must be done in accordance with local codes.

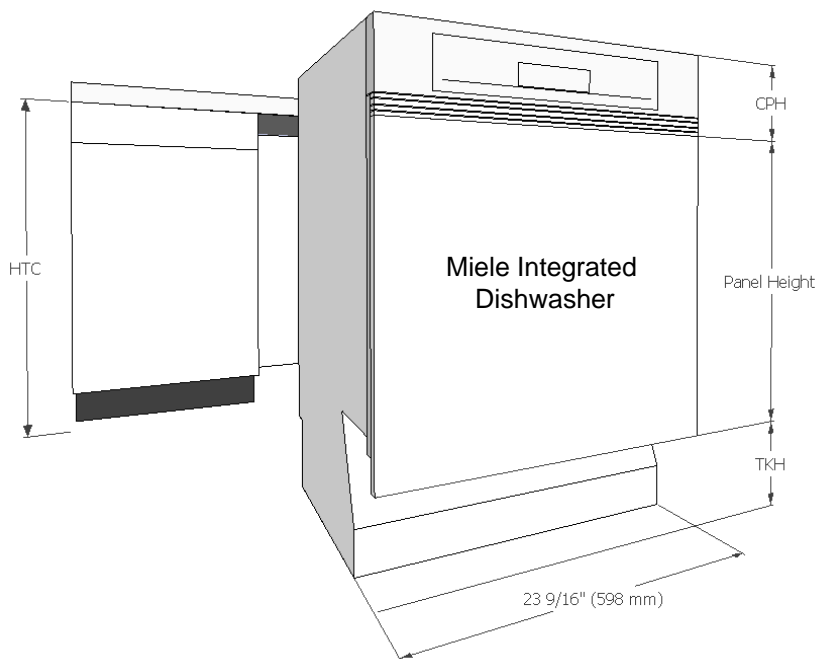
Drawing is not to scale

Product and Cut-out Dimensions

Futura Profi-Line PG8080i Integrated Dishwasher

Custom Panel Installations

Some Miele dishwashers do not come equipped with a front panel. These dishwashers are designed to accept a custom door panel supplied by the cabinet maker. Miele has a unique panel integration system which allows the dishwasher to align with the surrounding cabinets.



Width: 23 7/16" (598 mm) in all cases

Thickness: 3/4" (19 mm) in all cases

Height: Determined using the following calculation:

$$\text{Panel Height} = \text{HTC} - \text{CPH} - \text{TKH}$$

HTC = Height to the underside of countertop

CPH = Control panel height (**Note 1**)

TKH = Toe kick height

Note: Control panel height is determined by the height of the adjoining drawers in the cabinets. The height is adjustable between 4 5/8" and 5 7/8" (116-150 mm) with spacer strips provided.

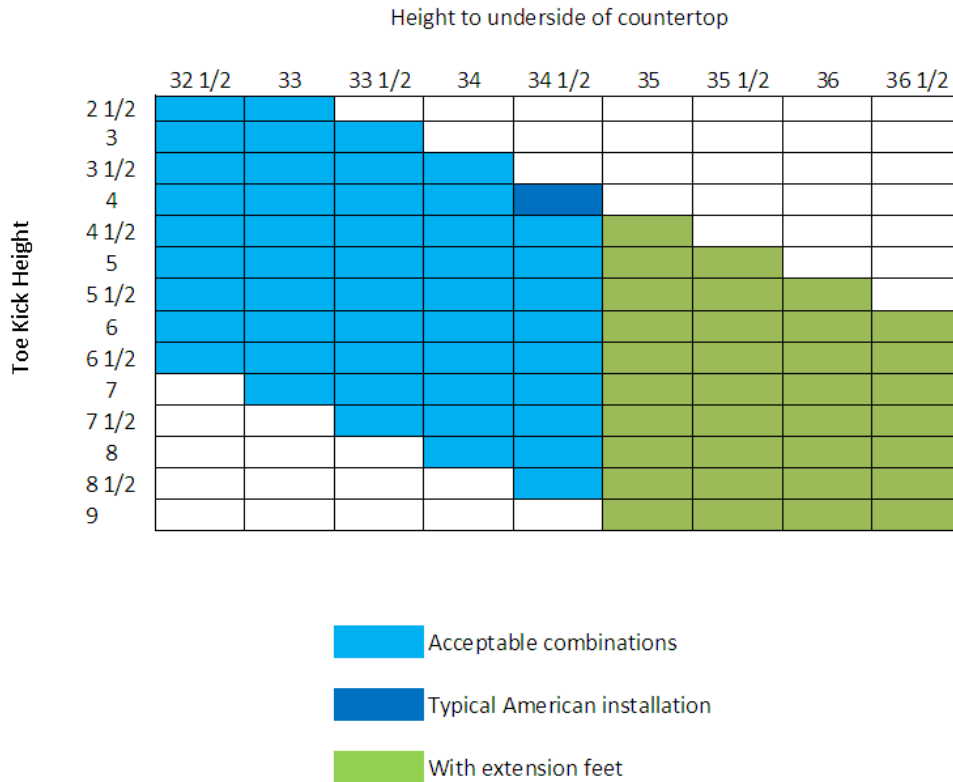
Maximum panel height: 27 1/4" (692 mm)

Minimum panel height: 21 1/4" (540 mm)

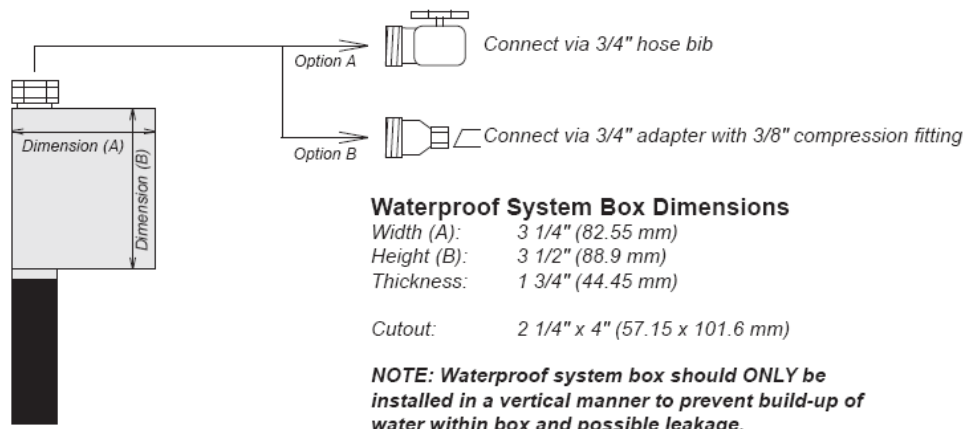
Maximum panel weight: 23 Pounds (10.4 kg)

Product and Cut-out Dimensions

Futura Profi-Line PG8080i Integrated Dishwasher



Water Connection



Waterproof System

Temperature: 110° - 130° F

Pressure: 4.5 - 145 PSI

Drain hose: 7/8" ID - 5 feet (1.5 meters) long