

Futura Series

Fully Integrated Dishwashers

PROFILINE PG 8083 SCVi



Futura Series ProfiLine Fully Integrated Dishwashers



PG 8083 SCVi

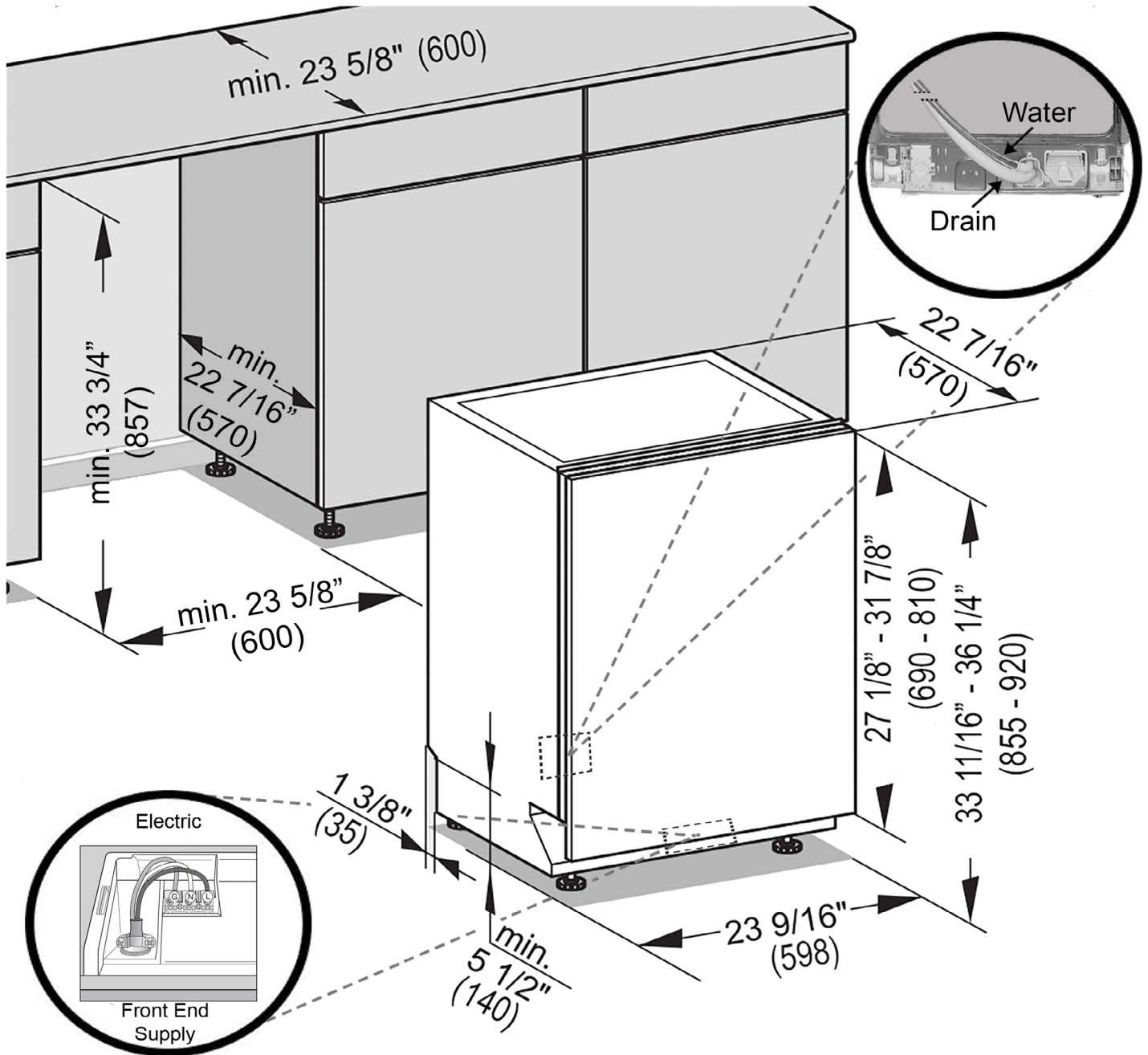
Features:

- Pro Speed 23 minute cycle
- Specialty programs
- Brilliant light
- 3D cutlery tray
- FlexiCare Premium basket design
- AutoSensor technology
- 9 Wash programs
- Q1 Acoustics rating
- AutoClose™ door
- AutoOpen drying
- Perfect GlassCare system
- SensorDry
- Delay Start

SPECIFICATIONS

PG 8083 SCVi (120 V) -	Item 61808365USA
PG 8083 SCVi (208V - 240V) -	Item 61808366USA
Overall Unit Width	23 ⁹ / ₁₆ " (598mm)
Overall Unit Height	33 ¹¹ / ₁₆ " - 36 ¹ / ₄ " (855 - 920mm)
Overall Unit Depth	22 ⁷ / ₁₆ " (570mm)
Niche	
Minimum Cabinet Opening Width	23 ⁵ / ₈ " (600mm)
Minimum Cabinet Opening Height	33 ³ / ₄ " (857mm)
Minimum Cabinet Opening Depth	22 ⁷ / ₁₆ " (570mm)
Plumbing	
Water Supply Requirements	May be connected to a cold or hot water supply up to a maximum of 140°F/60°C. Must be connected to a shut-off valve with a male 3/8" compression. The water shut-off valve must be accessible after installation. The water pressure must be between 4.35 psi (0.3 bar) and may not exceed 145 psi (10 bar). If the pressure is higher than 145 psi (10 bar), a pressure reducing valve must be installed.
Water Connection Line	4' 11" (1.5 m) flexible water intake hose is supplied with a 3/8" compression connection.
Drain Hose	4' 11" (1.5 m) flexible drain hose is supplied.
Electrical	
Electrical Requirements - Volts/Amps	Item 61808365USA - 110V / 120V, 60Hz, 15A Item 61808366USA - 208V / 240V, 60Hz, 30A (Both units are convertible to hard wire)
Power Cord - Plug and length	Item 61808365USA - NEMA 5-15 plug, 6' (1.7m) Item 61808366USA - NEMA 14-30 plug, 6' (1.7m)
Shipping	
Shipping Weight	127 lbs (57.5kg)
Support	
Call Miele	800.843.7231
Miele Website	www.mieleusa.com

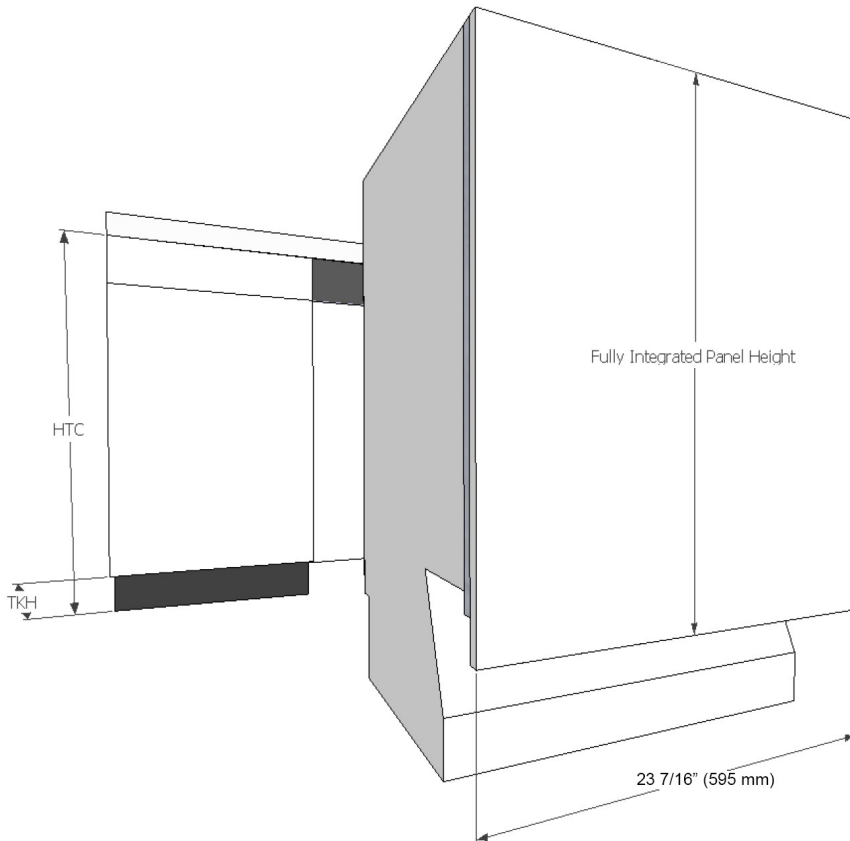
INSTALLATION SPECIFICATIONS



- Drain** - 4 ft 11 in (1.5 m) flexible drain hose.
(Connects from lower center rear)
- Water** - 4 ft 11 in (1.5 m) flexible water intake hose with 3/8" compression fitting.
(Connects from lower center rear)
- Electric** - 4 ft 11 in (1.5 m) 120V 15 A 3 wire molded NEMA 5-15 plug power supply. (Connects via Front End Supply or may be hardwired)

Custom Panel Installation

Some Miele dishwashers do not come equipped with a front panel. These dishwashers are designed to accept a custom door panel supplied by a cabinet maker. Miele has a unique panel integration system which allows the dishwasher to align with the surrounding cabinets.



Width: 23 7/16" (595 mm) in all Cases
Thickness: 3/4" (19 mm) in all Cases
Height: Determined using the following calculation:

$$\text{Panel Height} = \text{HTC} - \text{TKH}$$

HTC = Height to the underside of countertop
TKH = Toe kick height

Note: Control panel is along the top edge of the unit. It is not visible when the unit is closed. A handle **MUST** be located on front of panel in order to open unit. (Except K2o models).

Maximum panel height: 31 7/8" (810 mm)

Minimum panel height: 27 1/8" (690 mm)

Maximum panel weight: 21 lbs (9.5 kg)

GFVI Installations

Miele offers pre-fabricated stainless steel panels for all fully integrated units. These panels are designed for various toe-kick heights and offer a choice of handle options. See Miele Product Brochure for more info.

Acceptable Height Installation

Height to underside of countertop

	33 3/4	34	34 1/4	34 1/2	34 3/4	35	35 1/4	35 1/2	35 3/4	36
2 1/2	Acceptable	Acceptable	Acceptable	Acceptable	Acceptable	Acceptable	Acceptable	Acceptable	Acceptable	Acceptable
3	Acceptable	Acceptable	Acceptable	Acceptable	Acceptable	Acceptable	Acceptable	Acceptable	Acceptable	Acceptable
3 1/2	Acceptable	Acceptable	Acceptable	Acceptable	Acceptable	Acceptable	Acceptable	Acceptable	Acceptable	Acceptable
4	Acceptable	Acceptable	Acceptable	Typical American	Acceptable	Acceptable	Acceptable	Acceptable	Acceptable	Acceptable
4 1/2	Acceptable	Acceptable	Acceptable	Acceptable	Acceptable	Acceptable	Acceptable	Acceptable	Acceptable	Acceptable
5	Acceptable	Acceptable	Acceptable	Acceptable	Acceptable	Acceptable	Acceptable	Acceptable	Acceptable	Acceptable
5 1/2	Acceptable	Acceptable	Acceptable	Acceptable	Acceptable	Acceptable	Acceptable	Acceptable	Acceptable	Acceptable
6	Acceptable	Acceptable	Acceptable	Acceptable	Acceptable	Acceptable	Acceptable	Acceptable	Acceptable	Acceptable
6 1/2	Acceptable	Acceptable	Acceptable	Acceptable	Acceptable	Acceptable	Acceptable	Acceptable	Acceptable	Acceptable
7	Acceptable	Acceptable	Acceptable	Acceptable	Acceptable	Acceptable	Acceptable	Acceptable	Acceptable	Acceptable
7 1/2	Acceptable	Acceptable	Acceptable	Acceptable	Acceptable	Acceptable	Acceptable	Acceptable	Acceptable	Acceptable
8	Acceptable	Acceptable	Acceptable	Acceptable	Acceptable	Acceptable	Acceptable	Acceptable	Acceptable	Acceptable
8 1/2	Acceptable	Acceptable	Acceptable	Acceptable	Acceptable	Acceptable	Acceptable	Acceptable	Acceptable	Acceptable

Acceptable combinations

Typical American installation