

**Miele**

Professional For The Home  
Integrated Dishwasher

PG 8130i



**ADA**  
COMPLIANT

Shown: PG 8130i  
Please note: This information is subject to change

[mieleusa.com](http://mieleusa.com)  
Specification Sheets TRS 04042019

## ProfiLine Integrated Dishwasher

SPECIFICATIONS	
Overall Unit Dimensions	23 <sup>9</sup> / <sub>16</sub> " (598mm) W x 32 <sup>1</sup> / <sub>16</sub> " - 34 <sup>1</sup> / <sub>4</sub> " (814 - 870mm) H x 22 <sup>7</sup> / <sub>16</sub> " (570mm) D
<b>Niche</b>	
Minimum Cabinet Opening Dimensions	23 <sup>5</sup> / <sub>8</sub> " (600mm) W x 32 <sup>1</sup> / <sub>8</sub> " (816mm) H X 22 <sup>7</sup> / <sub>16</sub> " (570mm) D
<b>Plumbing</b>	
Water Supply Requirements	May be connected to a cold or hot water supply up to a maximum of 140°F/60°C. Must be connected to a shut-off valve with a male 3/4" GHT. The water shut-off valve must be accessible after installation. The water pressure must be between 4.35 psi (0.3 bar) and 145 psi (10 bar). If the pressure is higher than 145 psi (10 bar), a pressure reducing valve must be installed.
Water Connection Line	4' 11" (1.5 m) flexible water intake hose is supplied with a 3/4" GHT connection.
Drain Hose	4' 11" (1.5 m) flexible drain hose with a 7/8" (22 mm) internal diameter is supplied. The drain hose length must not be longer than 13' 1 1/2" (4 m) and the delivery head must not exceed 3' 3 3/8" (1 m).
<b>Electrical</b>	
	PG 8130i (120V) <span style="float: right;">PG 8130i (208-240V)</span>
Electrical Requirements	120V, 60Hz, 15 Amps <span style="float: right;">120/208-240V, 60Hz, 2x30Amps</span>
Power Cord	NEMA 5-15 plug, 5' 7" (1.7 m) <span style="float: right;">NEMA 14-30 plug, 5' 11" (1.8 m)</span>
<b>Shipping</b>	
Shipping Weight	121 lbs (55 kg)
Shipping Dimensions	27 <sup>1</sup> / <sub>8</sub> " W x 38 <sup>1</sup> / <sub>8</sub> " H x 26 <sup>3</sup> / <sub>8</sub> " D
<b>Support</b>	
Call Miele	(800) 999-1360
Miele Website	<a href="http://www.mieleusa.com">www.mieleusa.com</a>
20/20 Link	<a href="http://2020technologies.com">2020technologies.com</a>

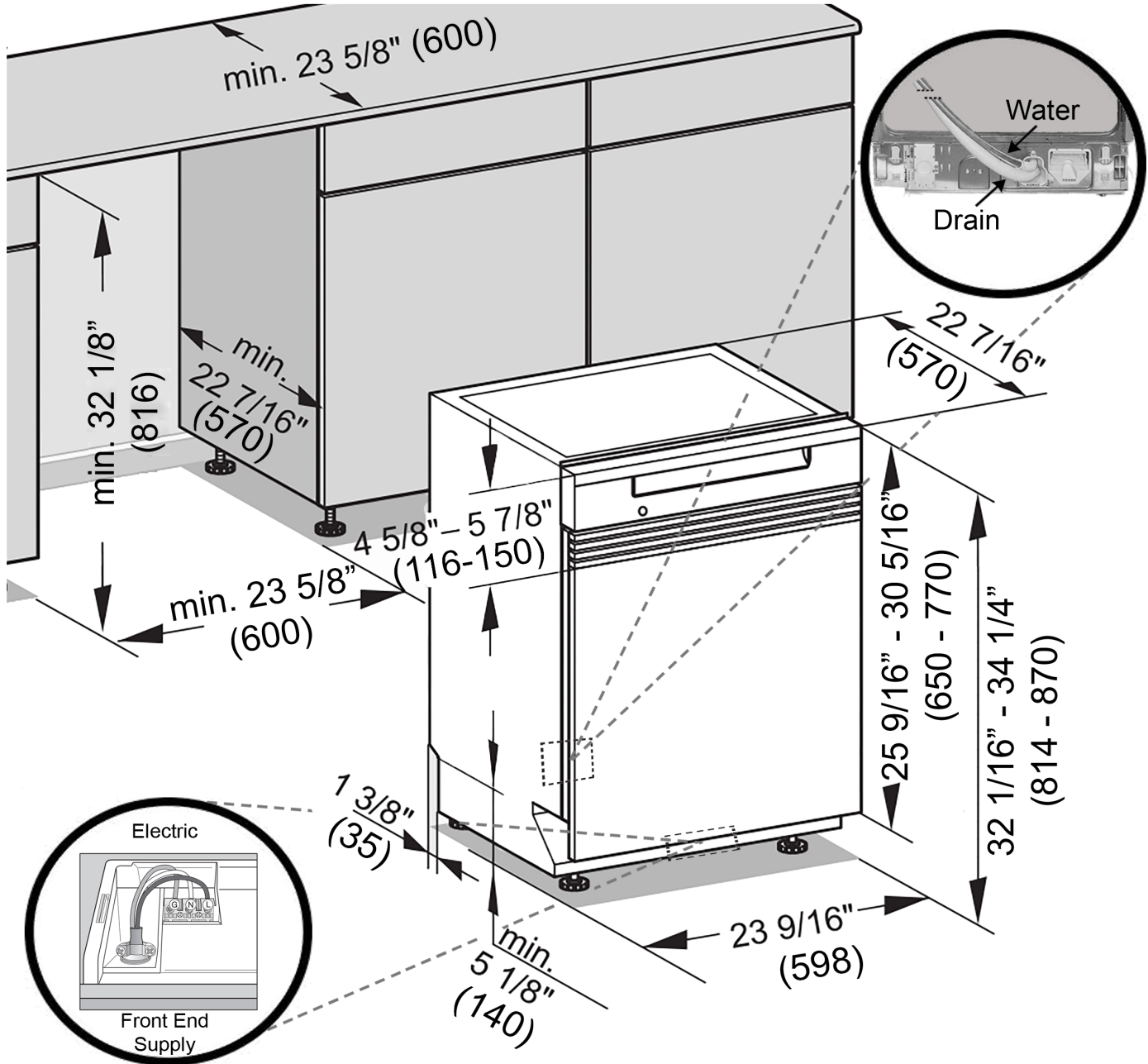
Custom Panel Ready

ProfiLine



PG 8130i  
 Item 61813052USA - (120V)  
 Item 61813051USA - (208/240 V)

## INSTALLATION SPECIFICATIONS



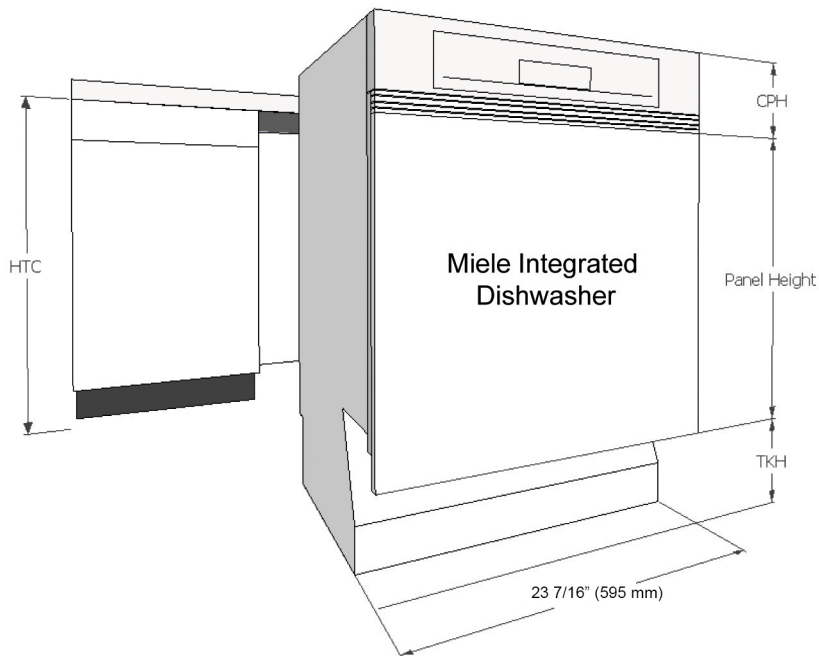
**Drain** - 4 ft 11 in (1.5 m) flexible drain hose.  
(Connects from lower center rear)

**Water** - 4 ft 11 in (1.5 m) flexible water intake hose with 3/4" GHT fitting.  
(Connects from lower center rear)

## ProfiLine Integrated Dishwasher

### CUSTOM PANEL DETAILS

Some Miele dishwashers do not come equipped with a front panel. These dishwashers are designed to accept a custom door panel supplied by a cabinet maker. Miele has a unique panel integration system which allows the dishwasher to align with the surrounding cabinets.



**Width:** 23 7/16" (595 mm) in all Cases  
**Thickness:** 3/4" (19 mm) in all Cases  
**Height:** Determined using the following calculation:

$$\text{Panel Height} = \text{HTC} - \text{CPH} - \text{TKH}$$

**HTC** = Height to the underside of countertop

**CPH** = Control panel height

**TKH** = Toe kick height

**Note:** Control panel height is determined by the height of the adjoining drawers in the cabinets. The height is adjustable between 4 5/8" and 5 7/8" (116 - 150 mm) with spacer strips provided.

Maximum panel height: 27 1/4" (692 mm)

Minimum panel height: 21 1/4" (540 mm)

Maximum panel weight: 23 lbs (10.4 kg)

### Miele Stainless Steel GFV Panels

Miele offers pre-fabricated stainless steel panels for all integrated units. These panels are designed for various toe-kick heights and offer a choice of handle options. See Miele Product Brochure for more info.

## ProfiLine Integrated Dishwasher

### POSSIBLE TOEKICK HEIGHT + CABINET HEIGHT COMBINATION

Height to underside of countertop

	32 1/2	33	33 1/2	34	34 1/2	35	35 1/2	36	36 1/2
2 1/2	Acceptable combinations	Acceptable combinations							
3	Acceptable combinations	Acceptable combinations							
3 1/2	Acceptable combinations	Acceptable combinations	Acceptable combinations						
4	Acceptable combinations	Acceptable combinations	Acceptable combinations	Acceptable combinations	Typical American installation				
4 1/2	Acceptable combinations	Acceptable combinations	Acceptable combinations	Acceptable combinations	Acceptable combinations	With extension feet			
5	Acceptable combinations	Acceptable combinations	Acceptable combinations	Acceptable combinations	Acceptable combinations	With extension feet	With extension feet		
5 1/2	Acceptable combinations	Acceptable combinations	Acceptable combinations	Acceptable combinations	Acceptable combinations	With extension feet	With extension feet	With extension feet	
6	Acceptable combinations	Acceptable combinations	Acceptable combinations	Acceptable combinations	Acceptable combinations	With extension feet	With extension feet	With extension feet	With extension feet
6 1/2	Acceptable combinations	Acceptable combinations	Acceptable combinations	Acceptable combinations	Acceptable combinations	With extension feet	With extension feet	With extension feet	With extension feet
7		Acceptable combinations	Acceptable combinations	Acceptable combinations	Acceptable combinations	With extension feet	With extension feet	With extension feet	With extension feet
7 1/2			Acceptable combinations	Acceptable combinations	Acceptable combinations	With extension feet	With extension feet	With extension feet	With extension feet
8				Acceptable combinations	Acceptable combinations	With extension feet	With extension feet	With extension feet	With extension feet
8 1/2					Acceptable combinations	With extension feet	With extension feet	With extension feet	With extension feet
9						With extension feet	With extension feet	With extension feet	With extension feet

- Acceptable combinations
- Typical American installation
- With extension feet