

Miele

Professional For The Home
Fully Integrated Dishwasher

ProfiLine PG 8133 SCVi



ProfiLine Fully Integrated Dishwasher

SPECIFICATIONS	
Overall Unit Dimensions	23 ⁹ / ₁₆ " (598mm) W x 33 ¹¹ / ₁₆ " - 36 ¹ / ₄ " (855 - 920mm) H x 22 ⁷ / ₁₆ " (570mm) D
Niche	
Minimum Cabinet Opening Dimensions	23 ⁵ / ₈ " (600mm) W x 33 ³ / ₄ " (857mm) H X 22 ⁷ / ₁₆ " (570mm) D
Plumbing	
Water Supply Requirements	May be connected to a cold or hot water supply up to a maximum of 140°F/60°C. Must be connected to a shut-off valve with a male 3/4" GHT. The water shut-off valve must be accessible after installation. The water pressure must be between 4.35 psi (0.3 bar) and 145 psi (10 bar). If the pressure is higher than 145 psi (10 bar), a pressure reducing valve must be installed.
Water Connection Line	4' 11" (1.5 m) flexible water intake hose is supplied with a 3/4" GHT connection.
Drain Hose	4' 11" (1.5 m) flexible drain hose with a 7/8" (22 mm) internal diameter is supplied. The drain hose length must not be longer than 13' 1 1/2" (4 m) and the delivery head must not exceed 3' 3 3/8" (1 m).
Electrical	PG 8133 SCVi (120V) PG 8133 SCVi (208-240V)
Electrical Requirements	120V, 60Hz, 15 Amps 120/208-240V, 60Hz, 2x30Amps
Power Cord	NEMA 5-15 plug, 5' 7" (1.7 m) NEMA 14-30 plug, 5' 11" (1.8 m)
Shipping	
Shipping Weight	121 lbs (55 kg)
Shipping Dimensions	27 ¹ / ₈ " W x 38 ¹ / ₈ " H x 26 ³ / ₈ " D
Support	
Call Miele	(800) 999-1360
Miele Website	www.mieleusa.com
20/20 Link	2020technologies.com

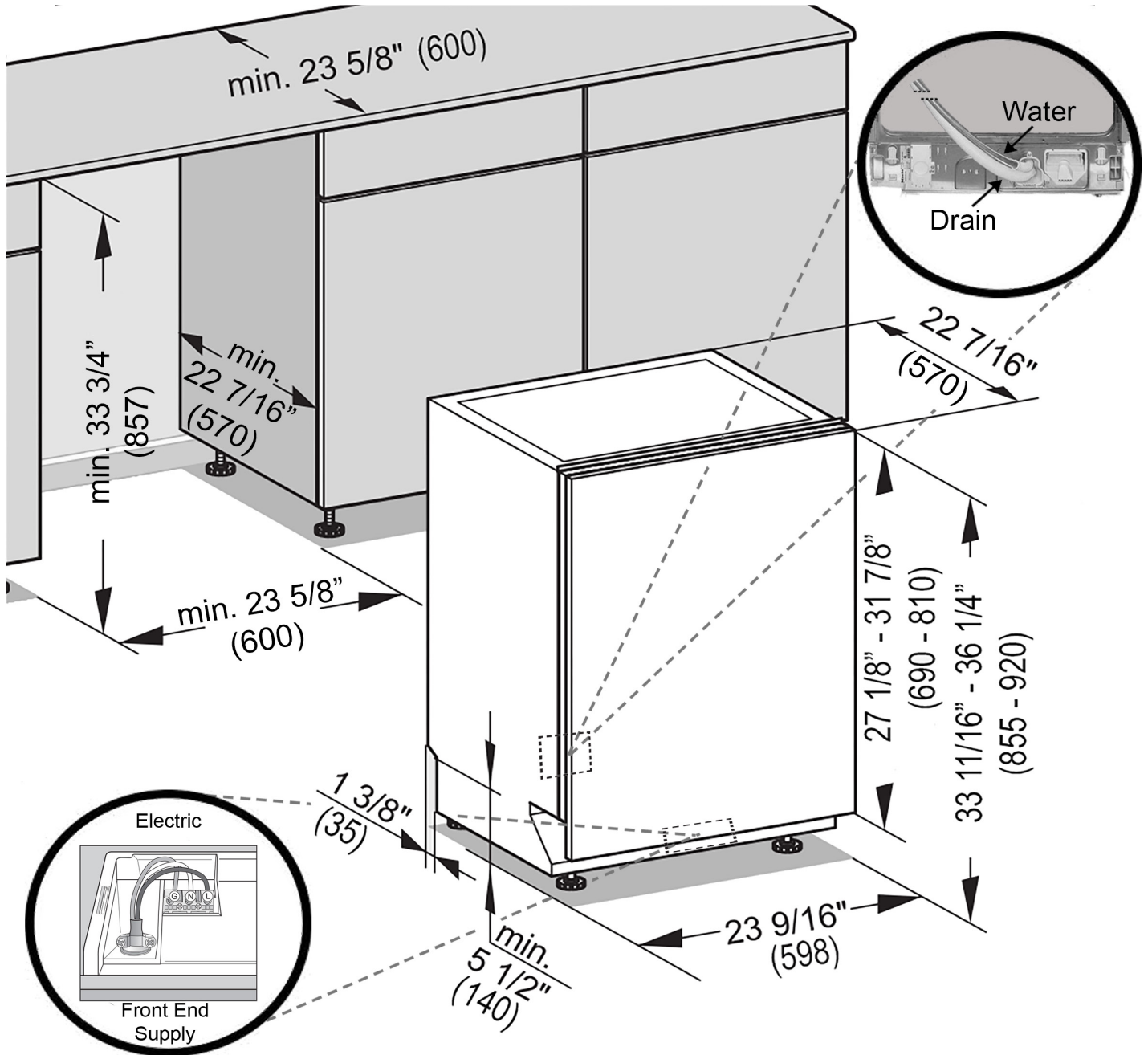
Custom Panel Ready

ProfiLine



PG 8133 SCVi
Item 61813365USA (120V)
Item 61813366USA (208-240V)

INSTALLATION SPECIFICATIONS



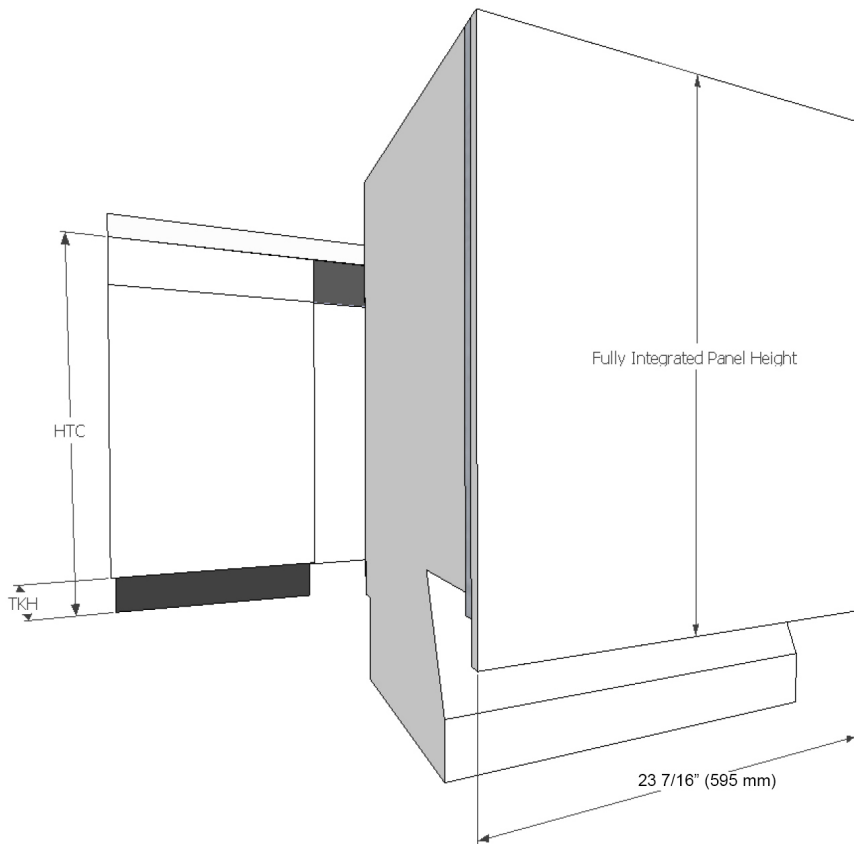
Drain - 4 ft 11 in (1.5 m) flexible drain hose.
(Connects from lower center rear)

Water - 4 ft 11 in (1.5 m) flexible water intake hose with 3/4" GHT fitting.
(Connects from lower center rear)

ProfiLine Fully Integrated Dishwasher

CUSTOM PANEL DETAILS

Some Miele dishwashers do not come equipped with a front panel. These dishwashers are designed to accept a custom door panel supplied by a cabinet maker. Miele has a unique panel integration system which allows the dishwasher to align with the surrounding cabinets.



Width: 23 7/16" (595 mm) in all Cases
Thickness: 3/4" (19 mm) in all Cases
Height: Determined using the following calculation:

$$\text{Panel Height} = \text{HTC} - \text{TKH}$$

HTC = Height to the underside of countertop
TKH = Toe kick height

Note: Control panel is along the top edge of the unit. It is not visible when the unit is closed. A handle **MUST** be located on front of panel in order to open unit. (Except K2o models).

Maximum panel height: 31 7/8" (810 mm)

Minimum panel height: 27 1/8" (690 mm)

Maximum panel weight: 21 lbs (9.5 kg)

Miele Stainless Steel GFVi Panels


Miele offers pre-fabricated stainless steel panels for all fully integrated units. These panels are designed for various toe-kick heights and offer a choice of handle options. See Miele Product Brochure for more info.


ProfiLine Fully Integrated Dishwasher

POSSIBLE TOEKICK HEIGHT + CABINET HEIGHT COMBINATION

Height to underside of countertop

	33 3/4	34	34 1/4	34 1/2	34 3/4	35	35 1/4	35 1/2	35 3/4	36
2 1/2	Acceptable combinations	Acceptable combinations	Acceptable combinations	Acceptable combinations	Acceptable combinations					
3	Acceptable combinations	Acceptable combinations	Acceptable combinations	Acceptable combinations	Acceptable combinations	Acceptable combinations	Acceptable combinations	Acceptable combinations		
3 1/2	Acceptable combinations	Acceptable combinations	Acceptable combinations	Acceptable combinations	Acceptable combinations	Acceptable combinations	Acceptable combinations	Acceptable combinations	Acceptable combinations	Acceptable combinations
4	Acceptable combinations	Acceptable combinations	Acceptable combinations	Typical American installation	Acceptable combinations	Acceptable combinations	Acceptable combinations	Acceptable combinations	Acceptable combinations	Acceptable combinations
4 1/2	Acceptable combinations	Acceptable combinations	Acceptable combinations	Acceptable combinations	Acceptable combinations	Acceptable combinations	Acceptable combinations	Acceptable combinations	Acceptable combinations	Acceptable combinations
5	Acceptable combinations	Acceptable combinations	Acceptable combinations	Acceptable combinations	Acceptable combinations	Acceptable combinations	Acceptable combinations	Acceptable combinations	Acceptable combinations	Acceptable combinations
5 1/2	Acceptable combinations	Acceptable combinations	Acceptable combinations	Acceptable combinations	Acceptable combinations	Acceptable combinations	Acceptable combinations	Acceptable combinations	Acceptable combinations	Acceptable combinations
6	Acceptable combinations	Acceptable combinations	Acceptable combinations	Acceptable combinations	Acceptable combinations	Acceptable combinations	Acceptable combinations	Acceptable combinations	Acceptable combinations	Acceptable combinations
6 1/2	Acceptable combinations	Acceptable combinations	Acceptable combinations	Acceptable combinations	Acceptable combinations	Acceptable combinations	Acceptable combinations	Acceptable combinations	Acceptable combinations	Acceptable combinations
7			Acceptable combinations	Acceptable combinations	Acceptable combinations	Acceptable combinations	Acceptable combinations	Acceptable combinations	Acceptable combinations	Acceptable combinations
7 1/2						Acceptable combinations	Acceptable combinations	Acceptable combinations	Acceptable combinations	Acceptable combinations
8									Acceptable combinations	Acceptable combinations
8 1/2										

 Acceptable combinations

 Typical American installation