

ContourLine  
30" Warming Drawer

ESW 6780



# ContourLine 30" Warming Drawer ESW 6780



## ESW 6780

### Features:

- Touch controls
- Fan-assisted heating system
- Time control, 4-hour timer
- Temperature settings from 105°F to 185°F
- Keeps food or plates and cups warm
- Non-slip liner
- Cool touch front
- Soft Open
- Auto Close
- Warm dishware for up to 12 people
- Sabbath Program
- Movable half rack insert allows food and dishware to be stored and warmed on two levels
- Comfort handle



## SPECIFICATIONS

### ESW 6780 - Item 30678052USA

Overall Unit Width - Excluding Fascia Dimension	25 <sup>15</sup> / <sub>16</sub> " (659 mm)
Overall Height - Excluding Fascia Dimension	10 <sup>9</sup> / <sub>16</sub> " (268 mm)
Overall Depth - Excluding Fascia Dimension	23 <sup>7</sup> / <sub>8</sub> " (606 mm)
Overall Fascia Dimensions	29 <sup>13</sup> / <sub>16</sub> " (757 mm) W x 10 <sup>13</sup> / <sub>16</sub> " (275 mm) H x 1" (26 mm) D

### Built-In

Minimum Cabinet Width	26 <sup>5</sup> / <sub>16</sub> " (668 mm)
Maximum Cabinet Width	28 <sup>1</sup> / <sub>2</sub> " (724 mm)
Minimum Cabinet Depth	24" (610 mm)
Minimum Cabinet Height	10 <sup>5</sup> / <sub>8</sub> " (270 mm)
Minimum Base Support	120 lbs
Minimum Shelf Spacing Between Stacked Product	<sup>3</sup> / <sub>4</sub> " (19 mm)

### Electrical

Electrical Requirements	120V, 15A, 60Hz
Power Cord	Molded NEMA 5-15 plug, 5 ft (1.5 m)
Electrical Rating	1kW (120V)
Total Amps	6A on 120V

### Shipping

Shipping Weight	70 lbs
Shipping Dimensions	32 <sup>7</sup> / <sub>8</sub> " W x 14 <sup>3</sup> / <sub>8</sub> " H x 29 <sup>7</sup> / <sub>8</sub> " L

### Support

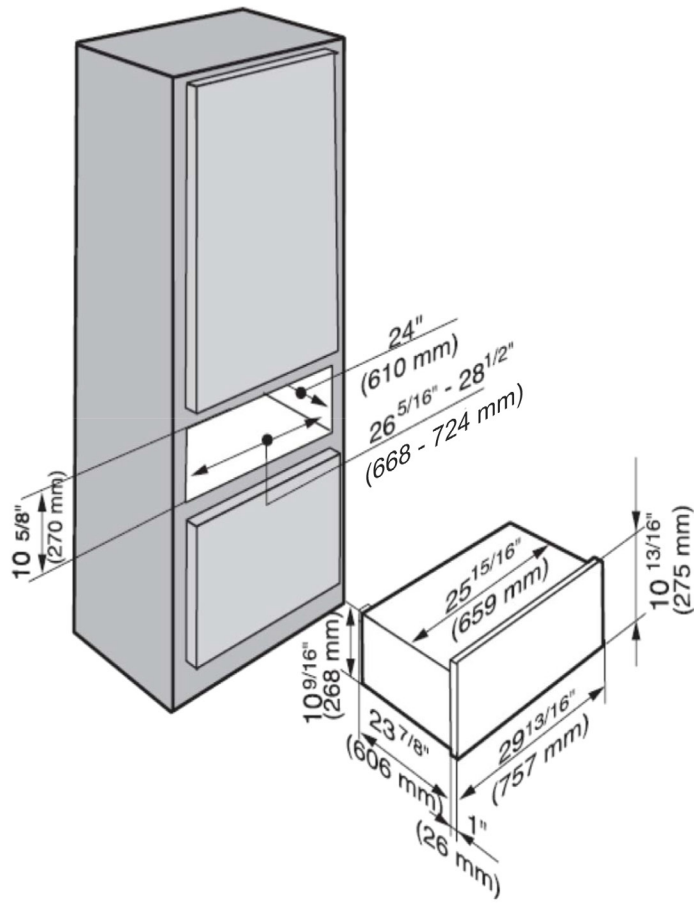
Call Miele	800.999.1360
Miele Website	<a href="http://www.mieleusa.com">www.mieleusa.com</a>
20/20 Link	<a href="http://2020technologies.com">2020technologies.com</a>

# ContourLine 30" Warming Drawer ESW 6780

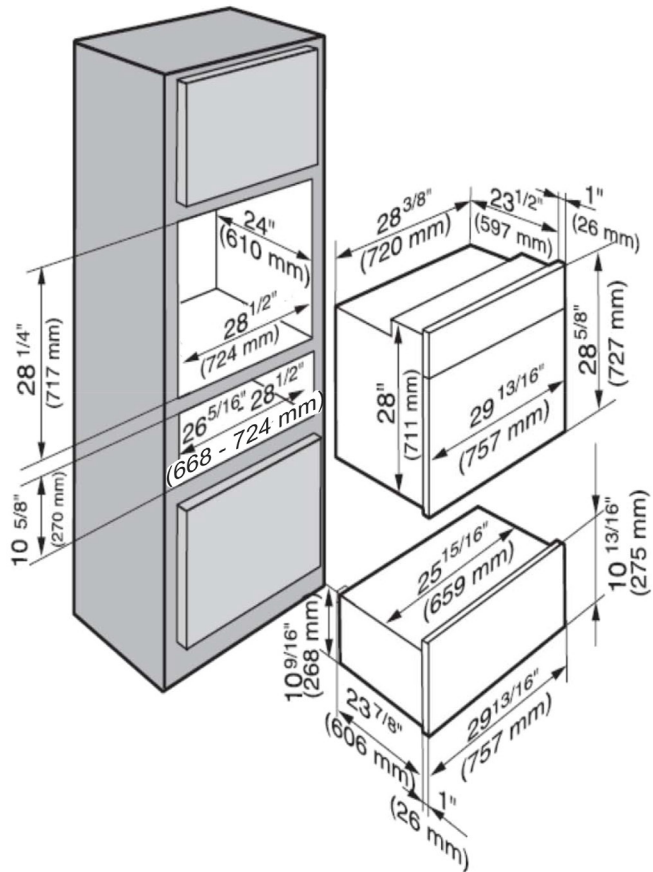


## INSTALLATION SPECIFICATIONS

Solo Install

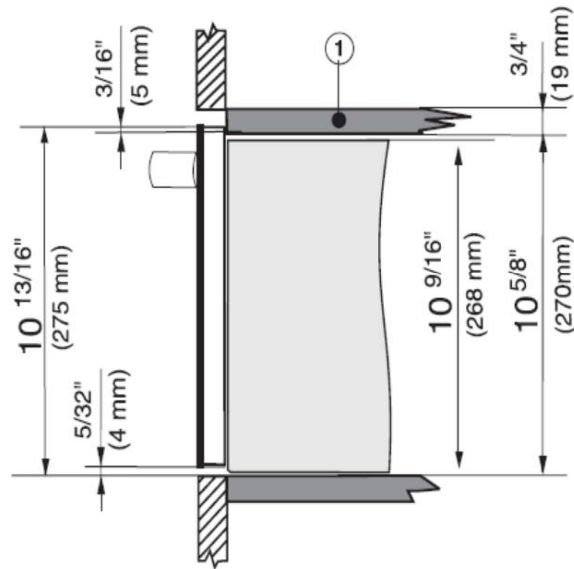


Install with 30" Oven



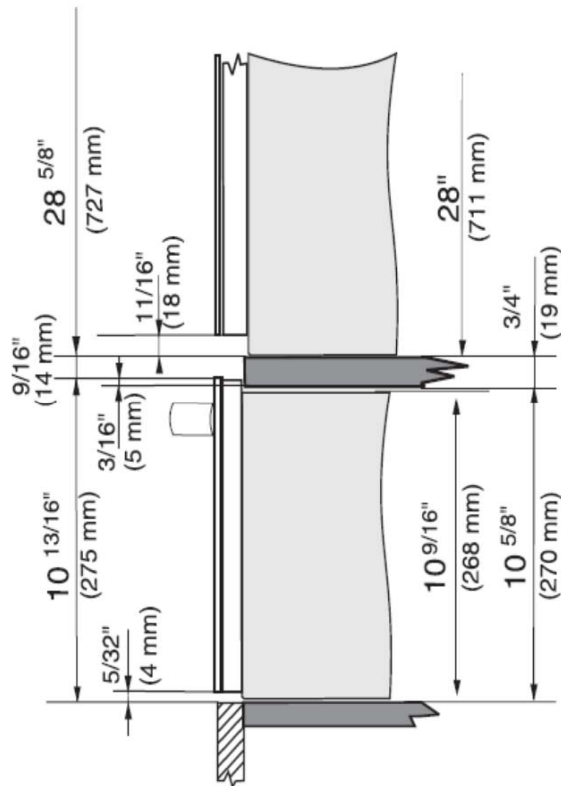
## INSTALLATION SPECIFICATIONS

Side View



① Fixed shelf

Side View with Oven

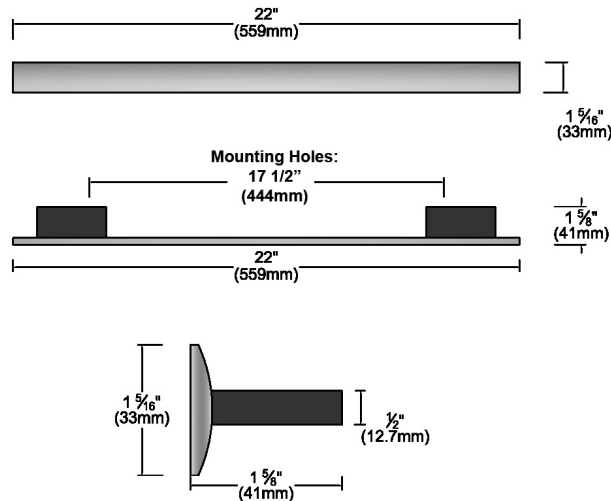


# ContourLine 30" Warming Drawer ESW 6780



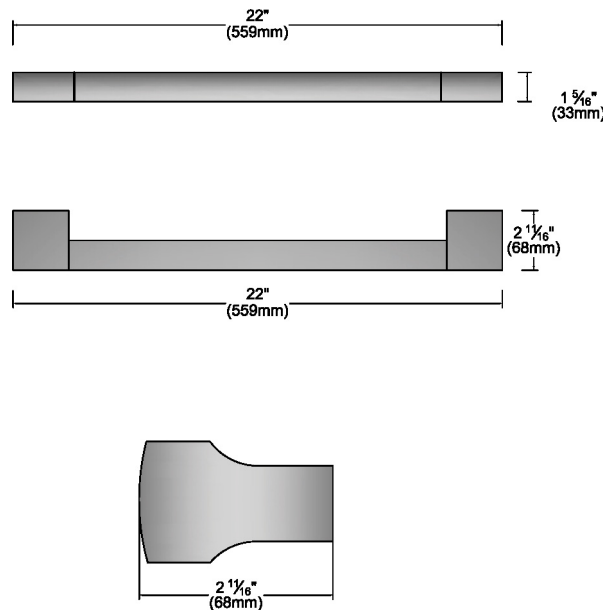
## HANDLE DETAILS

All Miele Signature And PureLine  
Handle Dimensions



Please note hinges may require adjusting or replacing when changing from a ContourLine Handle to a PureLine or Miele Signature Handle.

All ContourLine Handle  
Dimensions



Please note hinges may require adjusting or replacing when changing from a PureLine or Miele Signature Handle to a ContourLine Handle.