

BRILLIANT WHITE PLUS
PLATE AND CUP
WARMER

ESW 4086-14 BRWS+



Brilliant White Plus Plate and Cup Warmer ESW 4086-14 BRWS+



FEATURES

- Touch controls
- Full extension drawer
- Unique, open-sided design
- Fan-assisted heating system
- Rapid heat-up
- Moisture and humidity control damper
- Continuous operation setting
- Time control, 4-hour timer
- Temperature settings from 104°F to 185°F
- Sabbath mode
- Easy open/close hydraulic hinges

SPECIFICATIONS

Product — Item 30408691CDN

Overall Width — excluding fascia	21 ¹ / ₈ " (537mm)
Overall Height	5 ⁹ / ₁₆ " (141mm)
Overall Depth	21 ⁹ / ₁₆ " (548mm)
Overall Fascia Dimensions	23 ⁷ / ₁₆ " (595mm) W x 5 ³ / ₁₆ " (131mm) H x 7 ⁷ / ₈ " (22mm) Thick
Overall Depth	Max. 55 lbs

Built-In

Minimum Cabinet Width	22 ¹ / ₁₆ " — 22 ³ / ₈ " (560-568mm)
Minimum Cabinet Height	5 ⁵ / ₈ " (143mm)
Minimum Cabinet Depth	Min. 21 ⁷ / ₈ " min (555mm)
Minimum Base Support	43 lbs
Additional Cut-outs Required	No

Electrical

Electrical Requirements	120 V, AC, 60hz, 15 amps
Power Cord	Moled plug, 120 V power cord, 5 ft. (1.5m)
Cut Out for Power Cord	Min. 3" square
Electrical Rating	.72 kW (120 V)
Total Amps	6 Amps on 120v

Shipping

Shipping Weight	46 lbs
Shipping Dimensions	23 ³ / ₄ " W x 8 ¹ / ₂ " H x 25 ⁵ / ₈ " L

Support

Call	800.843.7231
20/20	©2020technologies.com

HANDLES

Chrome Handle - Standard
DS 4046



OPTIONAL HANDLES

Profi Handle
DS 4040



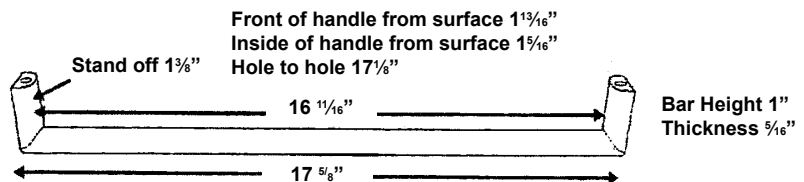
Classic Handle
DS 4041



Straight Handle
DS 4044



DS 4046

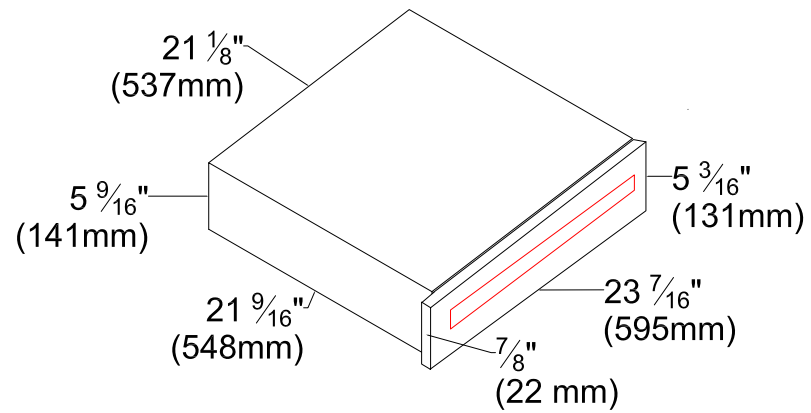


Brilliant White Plus Plate and Cup Warmer ESW 4086-14 BRWS+

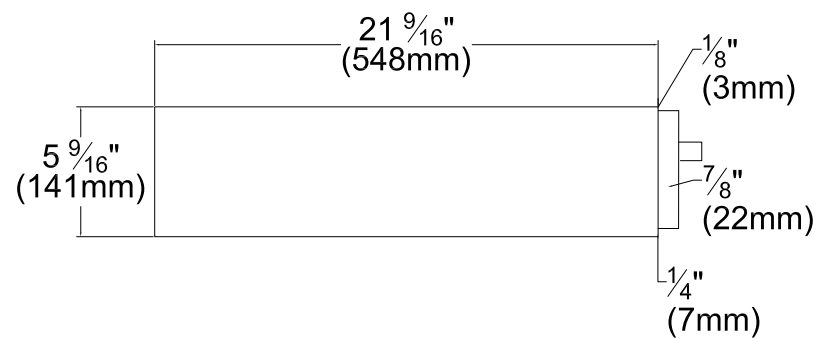


PRODUCT VIEWS

Isometric View



Side View

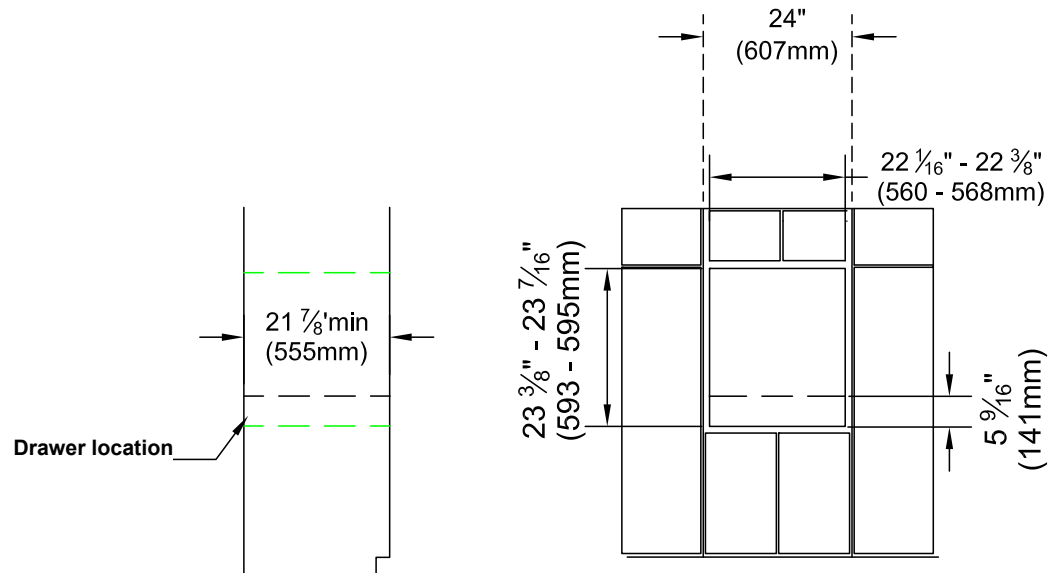


Brilliant White Plus Plate and Cup Warmer ESW 4086-14 BRWS+

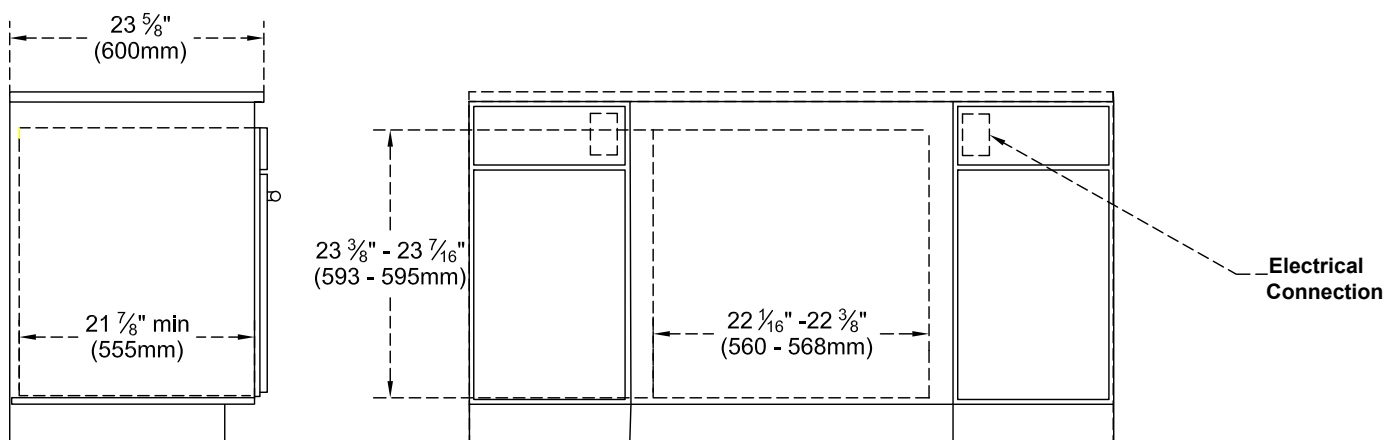


INSTALLATION SPECIFICATIONS

Wall Cabinet Installation



Undercounter Installation



Warming drawer installation is typically placed under another unit such as a speed oven, steam oven or coffee system.