

Miele

36" Built-In Wall Cabinet Hood

DA 3698



36" Built-In Wall Cabinet Hood

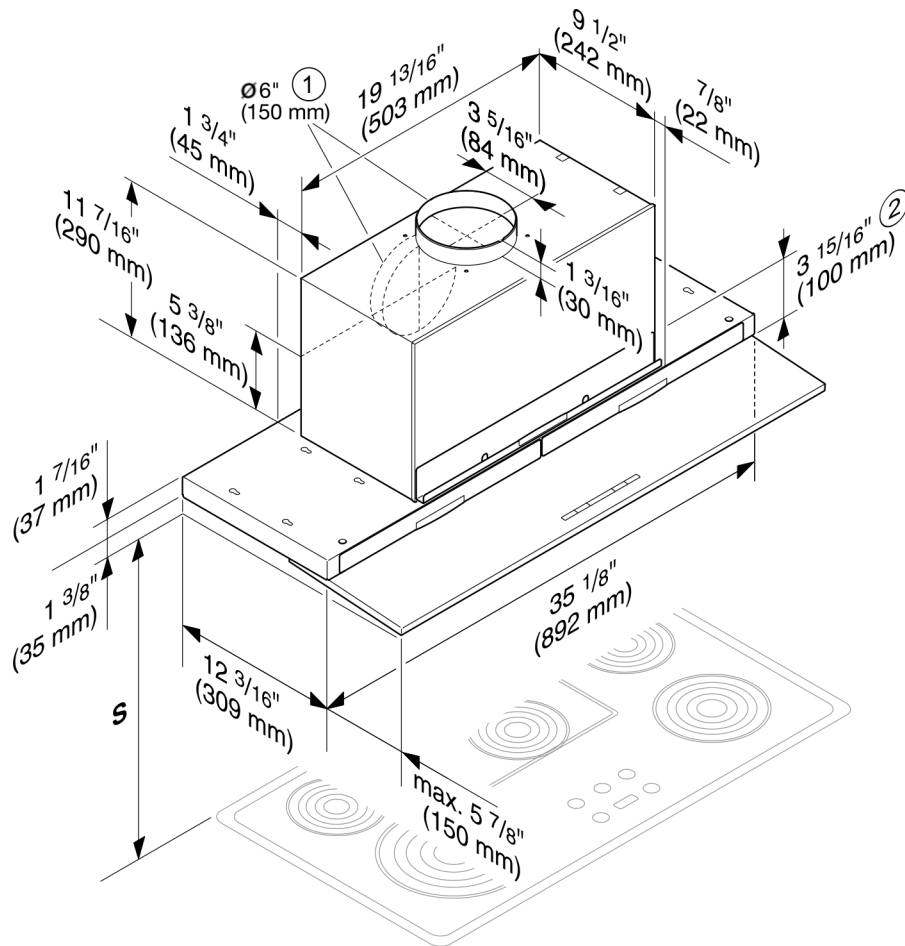
SPECIFICATIONS	
Overall Unit Dimensions	35 ¹ / ₈ " (892 mm) W x 14 ¹ / ₁₆ " (357 mm) H x 12 ³ / ₁₆ " (309 mm) D [Depth Retracted]
Unit Depth Extended	18 ¹ / ₁₆ " (459 mm)
Built-In	
Minimum Opening Dimensions	22 ¹ / ₈ " (562 mm) W x 13 ³ / ₄ " (350 mm) H x 12 ³ / ₁₆ " (310 mm) D
Fan	
Fan Speeds	4
Maximum CFM	625 CFM, (Reducing Collar is available to reduce Air flow to less than 400 CFM)
Duct	
Duct Diameter	6" (150 mm)
Electrical	
Electrical Requirements	120V, 60Hz, 15A
Power Cord	Molded NEMA 5-15 plug, 2.5 ft (0.75 m)
Shipping	
Shipping Weight	41.8 lbs (19 kg)
Shipping Dimensions	37 ⁷ / ₁₆ " W x 20 ¹ / ₂ " H x 14" D
Support	
Call Miele	800.843.7231
Miele Website	www.mieleusa.com
20/20 Link	2020technologies.com



DA 3698
Item 28369855USA

36" Built-In Wall Cabinet Hood

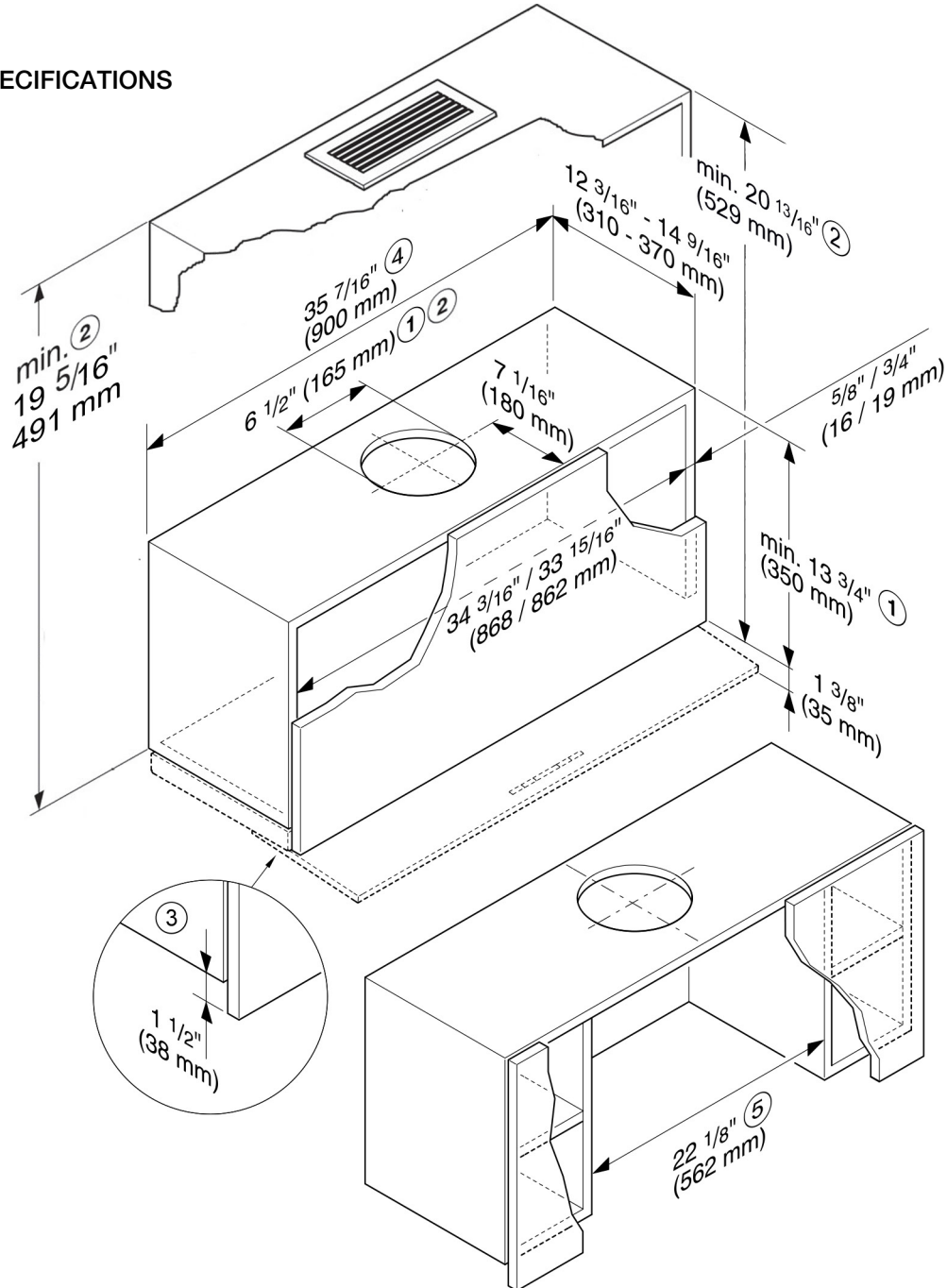
INSTALLATION SPECIFICATIONS



- ① The ducting can also be connected at the back.
- ② After installation, the wall unit can be fitted with an interim panel. If this is done, make sure that the slots for the grease filters and, for the charcoal filters in recirculation mode, remain easily accessible.
- ③ Please see Page 5 of Specification Sheet for further details.

36" Built-In Wall Cabinet Hood

INSTALLATION SPECIFICATIONS



- ① Extraction, recirculation with conversion kit DUU 150.
- ② Recirculation mode with conversion kit DUU 151.
- ③ The wall unit carcass needs to be 1 1/2" (38 mm) shorter than the wall unit door.
- ④ Installation is also possible in a 23 5/8" (600 mm) wide unit. In the process, the following must be observed:
 - The side units must also be shortened by 1 1/2" (38 mm).
 - The doors of the built-in unit and side units must be opened to the top so that the grease filters are accessible.
- ⑤ Alternatively, the wall unit can be fitted with side sections.

36" Built-In Wall Cabinet Hood

INSTALLATION SPECIFICATIONS

Distance Between Cooktop and Ventilation Hood (S)

Provided a larger distance is not given by the manufacturer of the cooktop, follow the minimum safety distances between a cooktop and the bottom of the hood.

Please also observe the information contained in the "IMPORTANT SAFETY INSTRUCTIONS" section of the manual.

Cooking appliance	Minimum distance S	
	Miele products	Non-Miele products
Electric Cooktops	24" (610 mm)	
Electric Barbeques and Fryers	26" (660 mm)	
Multiburner Gas Cooktops ≤ 43,000 BTU/hr (12.6 W), no burner > 15,000 BTU/hr (4.5 kW).	26" (660 mm)	30" (760 mm)
Multiburner Gas Cooktops ≤ 73,800 BTU/hr (21.6 W), no burner > 16,500 BTU/hr (4.8 kW)	30" (760 mm)	
Multiburner Gas Cooktops > 73,800 BTU/hr (21.6 W), or one of the burners > 16,500 BTU/hr (4.8 kW)	Not possible	
Single Burner Gas Cooktops ≤ 20,500 BTU/hr (6 kW)	26" (660 mm)	30" (760 mm)
Single Burner Gas Cooktops > 20,500 BTU/hr (6 kW) ≤ 27,600 BTU/hr (8.1 kW)	30" (760 mm)	
Single Burner Gas Cooktops > 27,600 BTU/hr (8.1 kW)	Not possible	

If you are installing a front panel made of wood or plastic to the hood, observe the safety distances given by the cooktop manufacturer regarding the use of easily flammable materials.