

42" Built-In Ventilation Hood

DA 2510

pancake

- 1 cup flour
- 1 egg
- 1 cup milk
- 1/2 cup sugar



42" Built-In Ventilation Hood

DA 2510



DA 2510

Features:

- Integrated LED ClearView lighting (2x)
- Con@ctivity 2.0 - communication between hood and cooktop
- Backlit LED controls
- Updated removable dishwasher-safe stainless steel filters
- Designed for vented or recirculated use
- Four fan speeds (incl. intensive)
- Delayed shutdown for 5 or 15 minutes
- Hood interior with CleanCover
- Stainless steel finish
- Filter saturation indicator (grease and charcoal filters)
- ADA-compliant hood (optional accessory: remote control)

SPECIFICATIONS

DA 2510 — Item 28251055USA

Overall Unit Width	43 ³ / ₄ " (1102 mm)
Overall Unit Height	12 ⁷ / ₈ " (326 mm)
Overall Unit Depth	15 ¹³ / ₁₆ " (402 mm)
Built-In	
Minimum Opening Width	42 ¹ / ₈ " (1070 mm)
Minimum Opening Depth	14 ⁹ / ₁₆ " (370 mm)
Minimum Opening Thickness	⁵ / ₈ " (16 mm)
Maximum Opening Thickness	1 ³ / ₈ " (35 mm)
Fan	
Fan Speeds	4
Maximum CFM	625 CFM, (Reducing Collar is available to reduce Air flow to less than 400 CFM, more information on page 8)
Duct	
Recommended Duct Diameter	6" (150 mm)
Electrical	
Electrical Requirements	120V, 60Hz, 15A
Power Cord	Molded NEMA 5-15 plug, 2.5 ft (0.75 m)
Shipping	
Shipping Weight	40.4 lbs (18.3 kg)
Shipping Dimensions	46 ¹ / ₁₆ " W x 21 ⁷ / ₈ " H x 18 ¹ / ₂ " D
Support	
Call Miele	800.843.7231
Miele Website	~www.mieleusa.com
20/20 Link	~2020technologies.com

Optional Accessories:



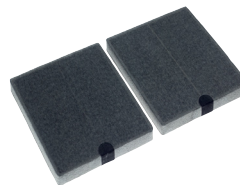
DUU 150

Recirculation kit for straight ductwork



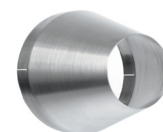
DUU 151

Recirculation kit



DKF15-900

OdorFree Charcoal filter required accessory for recirculation mode (2 sets required)



Reducing collar

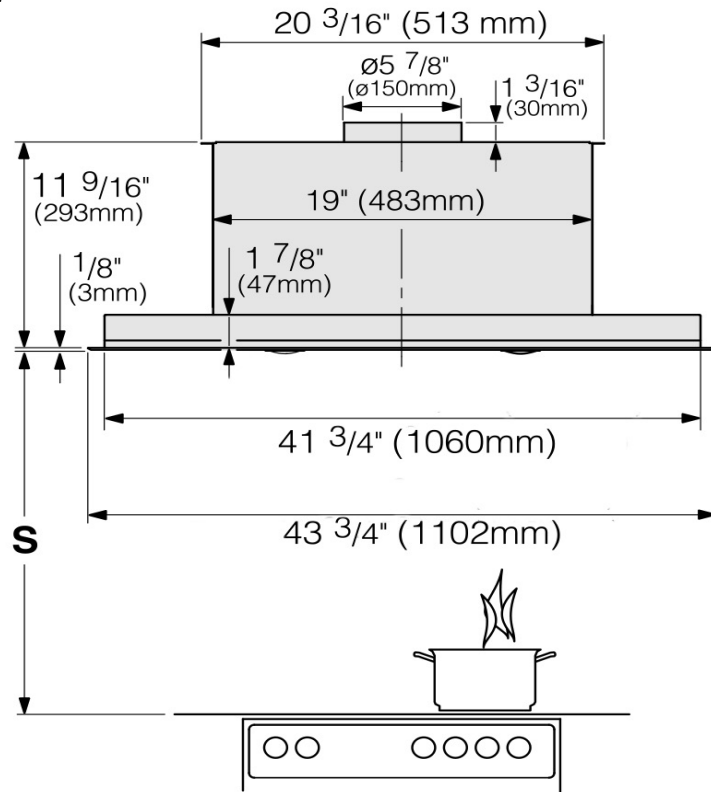
Reducing collar limits air flow to less than 400 CFM

42" Built-In Ventilation Hood DA 2510

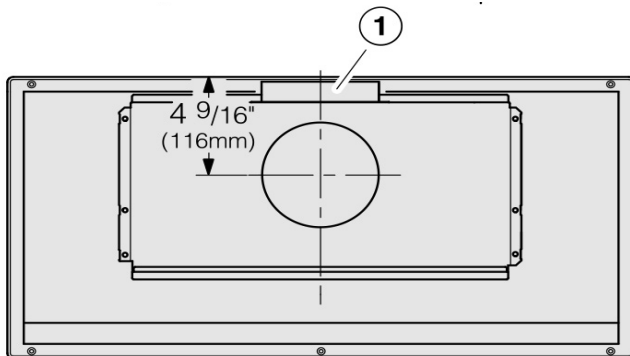


INSTALLATION SPECIFICATIONS Product Dimensions

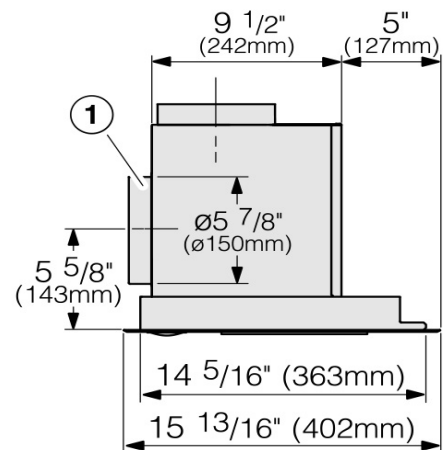
Front View



Top View



Side View



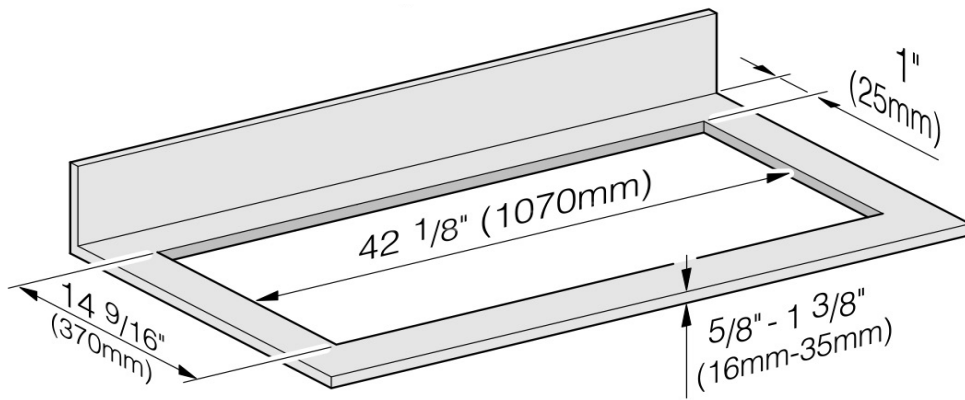
42" Built-In Ventilation Hood

DA 2510



INSTALLATION SPECIFICATIONS

Cabinetry Cut-Out Dimensions



42" Built-In Ventilation Hood

DA 2510



INSTALLATION SPECIFICATIONS

Distance Between Cooktop and Ventilation Hood (S)

Provided a larger distance is not given by the manufacturer of the cooktop, follow the minimum safety distances between a cooktop and the bottom of the hood.

Please also observe the information contained in the "IMPORTANT SAFETY INSTRUCTIONS" section of the manual.

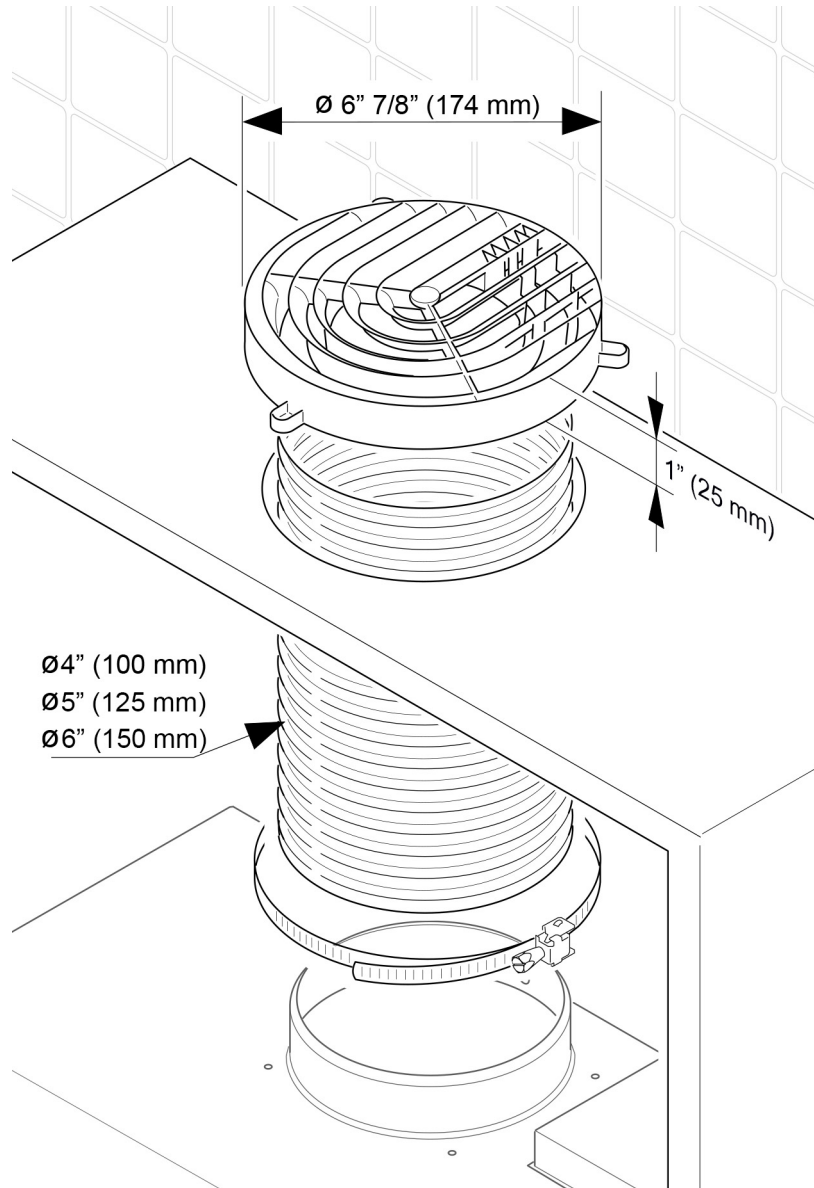
Cooking appliance	Minimum distance S	
	Miele products	Non-Miele products
Electric Cooktops	24" (610 mm)	
Electric Barbeques and Fryers	26" (660 mm)	
Multiburner Gas Cooktops ≤ 43,000 BTU/hr (12.6 W), no burner > 15,000 BTU/hr (4.5 kW).	26" (660 mm)	30" (760 mm)
Multiburner Gas Cooktops ≤ 73,800 BTU/hr (21.6 W), no burner > 16,500 BTU/hr (4.8 kW)	30" (760 mm)	
Multiburner Gas Cooktops > 73,800 BTU/hr (21.6 W), or one of the burners > 16,500 BTU/hr (4.8 kW)	Not possible	
Single Burner Gas Cooktops ≤ 20,500 BTU/hr (6 kW)	26" (660 mm)	30" (760 mm)
Single Burner Gas Cooktops > 20,500 BTU/hr (6 kW) ≤ 27,600 BTU/hr (8.1 kW)	30" (760 mm)	
Single Burner Gas Cooktops > 27,600 BTU/hr (8.1 kW)	Not possible	

If you are installing a front panel made of wood or plastic to the hood, observe the safety distances given by the cooktop manufacturer regarding the use of easily flammable materials.

42" Built-In Ventilation Hood DA 2510



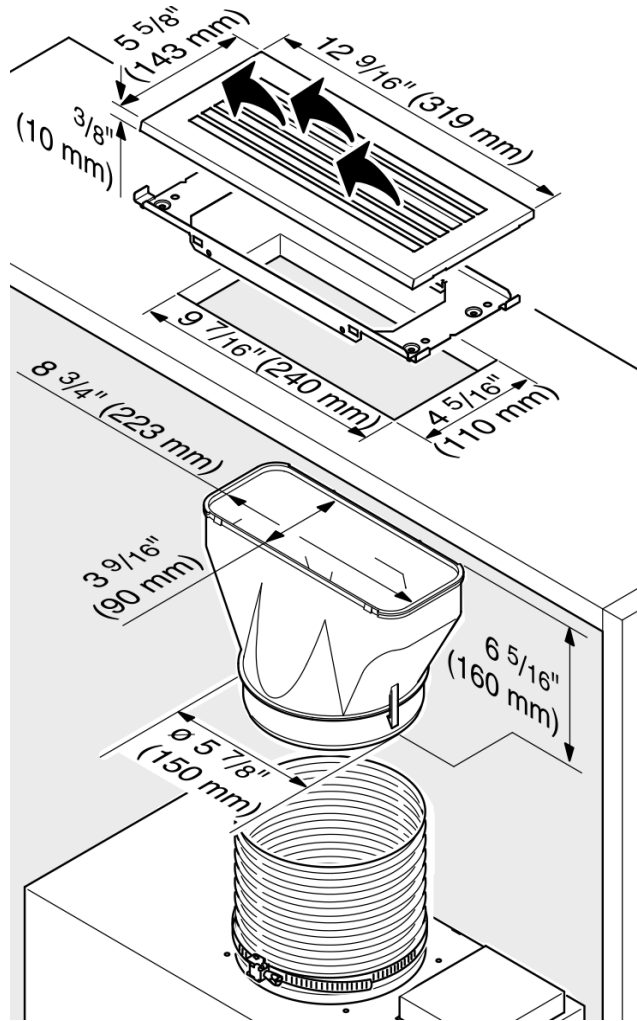
Recirculation Kit DUU 150 (Optional Accessory)



42" Built-In Ventilation Hood DA 2510



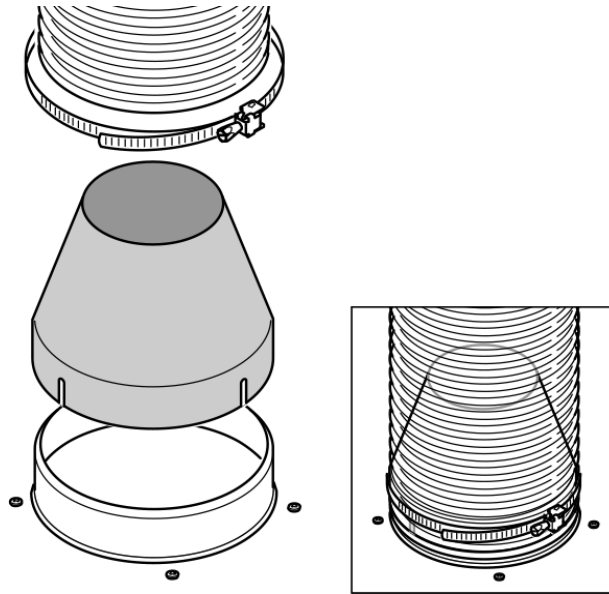
Recirculation Kit DUU 151 (Optional Accessory)



42" Built-In Ventilation Hood DA 2510



Reducing Collar (Optional Accessory)



If you would like to reduce the environmental impact of your ventilation system by limiting the CFM output the Reducing Collar can be installed. It reduces the air flow to less than 400 CFM. Check local building codes for maximum CFM requirements.