

# 30" Built-In Ventilation Hood

DA 2580



# 30" Built-In Ventilation Hood

## DA 2580



### DA 2580

#### Features:

- Integrated LED ClearView lighting (2x)
- Con@ctivity 2.0 - communication between hood and cooktop
- Backlit LED controls
- Updated removable dishwasher-safe stainless steel filters
- Designed for vented or recirculated use
- Four fan speeds (incl. intensive)
- Delayed shutdown for 5 or 15 minutes
- Hood interior with CleanCover
- Stainless steel finish
- Filter saturation indicator (grease and charcoal filters)
- ADA-compliant hood (optional accessory: remote control)

#### SPECIFICATIONS

DA 2580 — Item 28258055USA

Overall Unit Width	31 <sup>9</sup> / <sub>16</sub> " (802 mm)
Overall Unit Height	12 <sup>7</sup> / <sub>8</sub> " (326 mm)
Overall Unit Depth	15 <sup>13</sup> / <sub>16</sub> " (402 mm)
<b>Built-In</b>	
Minimum Opening Width	30 <sup>5</sup> / <sub>16</sub> " (770 mm)
Minimum Opening Depth	14 <sup>9</sup> / <sub>16</sub> " (370 mm)
Minimum Opening Thickness	<sup>5</sup> / <sub>8</sub> " (16 mm)
Maximum Opening Thickness	1 <sup>3</sup> / <sub>8</sub> " (35 mm)
<b>Fan</b>	
Fan Speeds	4
Maximum CFM	625 CFM, (Reducing Collar is available to reduce Air flow to less than 400 CFM, more information on page 8)
<b>Duct</b>	
Recommended Duct Diameter	6" (150 mm)
<b>Electrical</b>	
Electrical Requirements	120V, 60Hz, 15A
Power Cord	Molded NEMA 5-15 plug, 2.5 ft (0.75 m)
<b>Shipping</b>	
Shipping Weight	27 lbs (12.3 kg)
Shipping Dimensions	34 <sup>1</sup> / <sub>16</sub> " W x 16 <sup>1</sup> / <sub>2</sub> " H x 18 <sup>1</sup> / <sub>2</sub> " D
<b>Support</b>	
Call Miele	800.843.7231
Miele Website	~www.mieleusa.com
20/20 Link	~2020technologies.com

#### Optional Accessories:



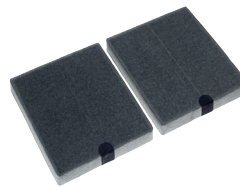
DUU 150

Recirculation kit for straight ductwork. Requires a 6" reducing collar



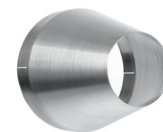
DUU 151

Recirculation kit. Requires a 6" reducing collar



DKF15-900

OdorFree Charcoal filter required accessory for recirculation mode



R2000

Reducing collar limits air flow to less than 400 CFM

# 30" Built-In Ventilation Hood

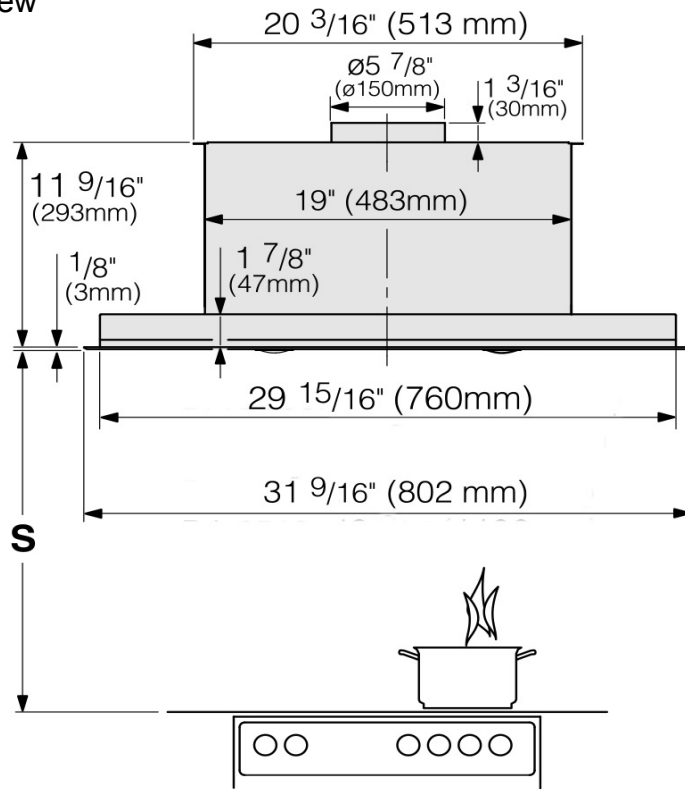
## DA 2580



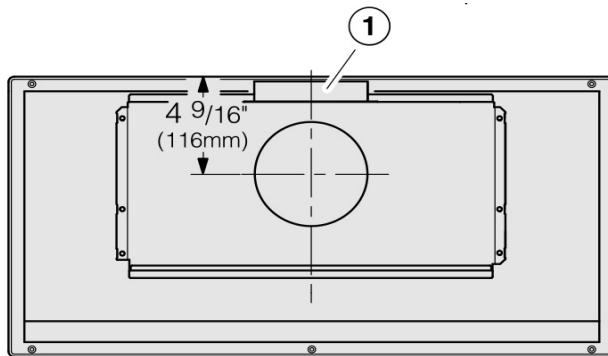
### INSTALLATION SPECIFICATIONS

#### Product Dimensions

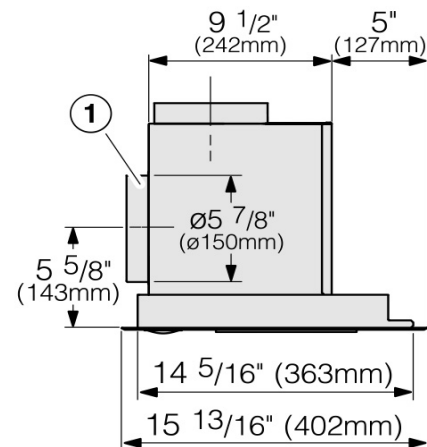
Front View



Top View



Side View



① The ducting can also be connected at the back.

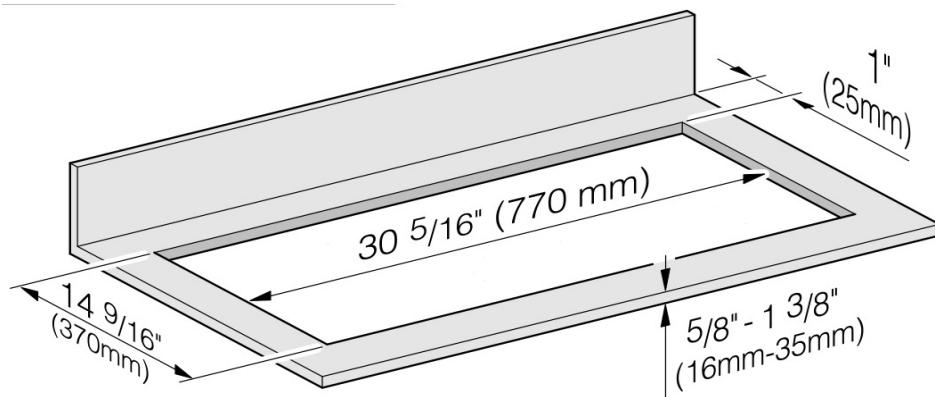
# 30" Built-In Ventilation Hood

## DA 2580



### INSTALLATION SPECIFICATIONS

Cabinetry Cut-Out Dimensions



# 30" Built-In Ventilation Hood

## DA 2580



### INSTALLATION SPECIFICATIONS

#### Distance Between Cooktop and Ventilation Hood (S)

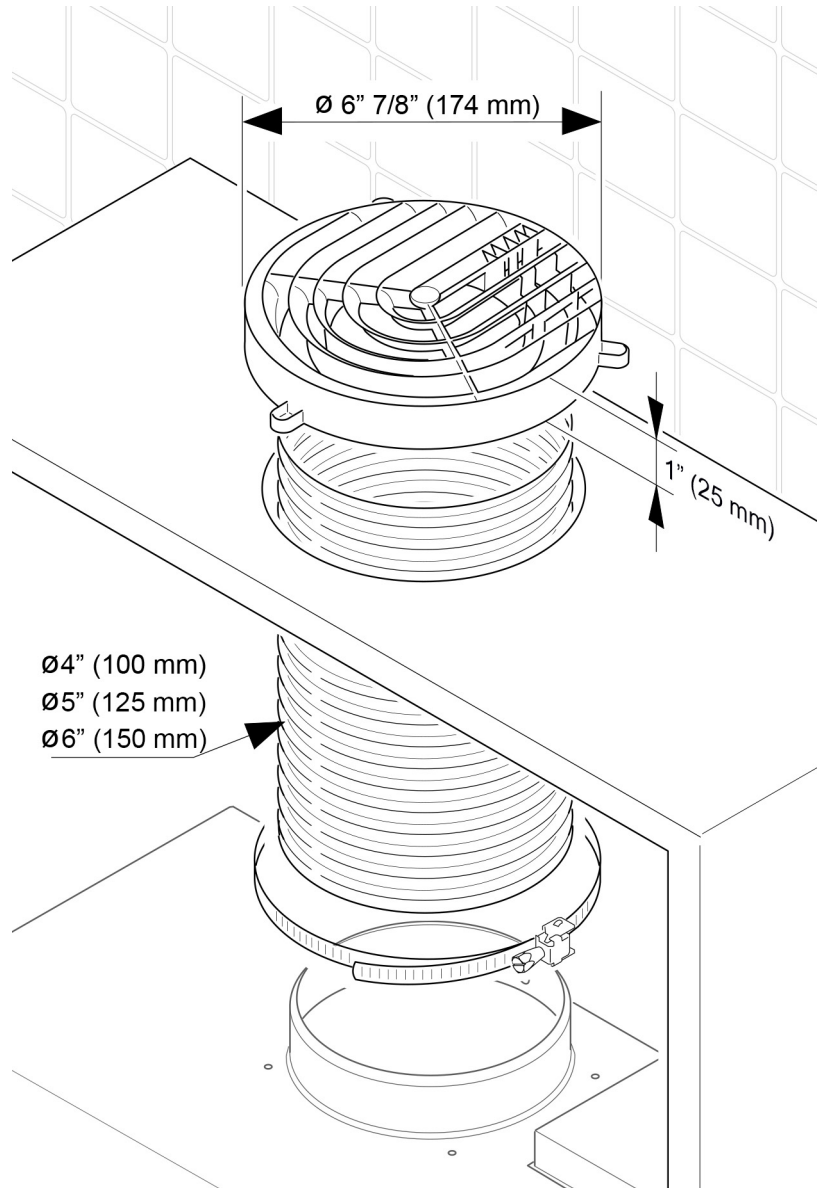
Provided a larger distance is not given by the manufacturer of the cooktop, follow the minimum safety distances between a cooktop and the bottom of the hood.  
Please also observe the information contained in the "IMPORTANT SAFETY INSTRUCTIONS" section.

Cooking appliance	Minimum distance S	
	Miele appliance	Non-Miele appliance
Electric Cooktops	24" (610 mm)	
Electric Barbeques and Fryers	26" (660 mm)	
Multiburner Gas Cooktops ≤ 43,000 BTU/hr (12.6 kW), no burner > 15,000 BTU/hr (4.5 kW).	26" (660 mm)	30" (760 mm)
Multiburner Gas Cooktops ≤ 73,800 BTU/hr (21.6 kW), no burner > 16,500 BTU/hr (4.8 kW)	30" (760 mm)	
Multiburner Gas Cooktops > 73,800 BTU/hr (21.6 kW), or one of the burners > 16,500 BTU/hr (4.8 kW)	Not possible	
Single Burner Gas Cooktops ≤ 20,500 BTU/hr (6 kW)	26" (660 mm)	30" (760 mm)
Single Burner Gas Cooktops > 20,500 BTU/hr (6 kW) ≤ 27,600 BTU/hr (8.1 kW)	30" (760 mm)	
Single Burner Gas Cooktops > 27,600 BTU/hr (8.1 kW)	Not possible	

# 30" Built-In Ventilation Hood DA 2580



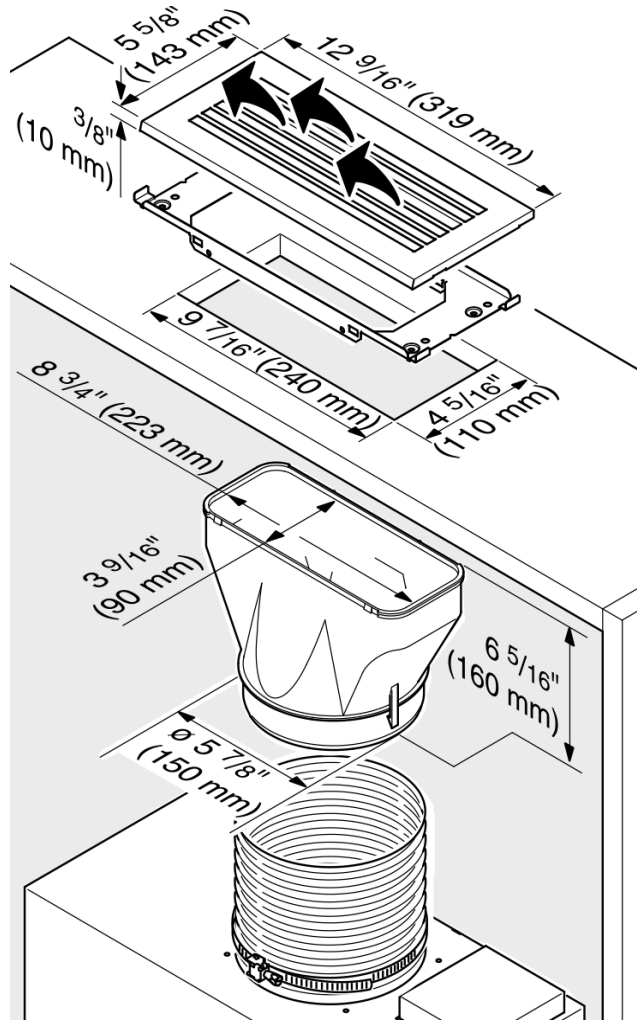
## Recirculation Kit DUU 150 (Optional Accessory)



# 30" Built-In Ventilation Hood DA 2580



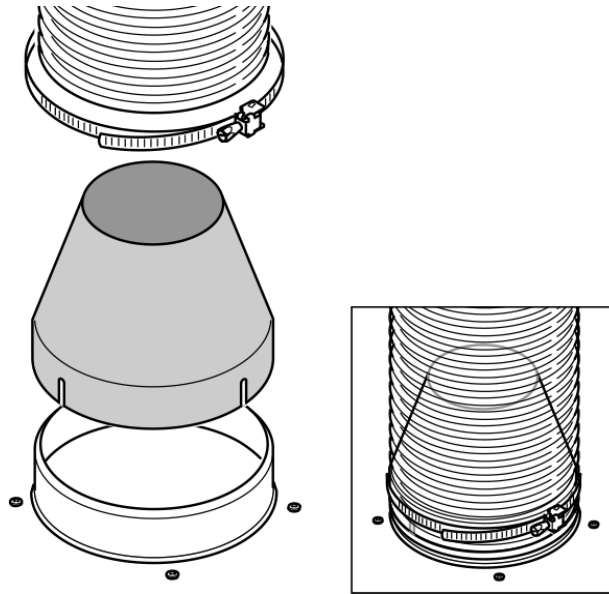
## Recirculation Kit DUU 151 (Optional Accessory)



# 30" Built-In Ventilation Hood DA 2580



## Reducing Collar (Optional Accessory)



If you would like to reduce the environmental impact of your ventilation system by limiting the CFM output the Reducing Collar can be installed. It reduces the air flow to less than 400 CFM. Check local building codes for maximum CFM requirements.