

36" Decorator Wall Hood

DA 5391W



36" Decorator Wall Hood DA 5391W



DA 5391W

Features:

- Four speed selector switch
- Delayed shutdown for 5 or 15 minutes
- Integrated halogen lighting
- Programmable filter saturation timers
- Stainless steel finish or RAL color options
- Polished stainless steel logo
- Automatic shut-off of intensive level, programmable for 10 minutes

SPECIFICATIONS

DA 5391W — Item 28539150USA

Overall Unit Width	35 ⁷ / ₁₆ " (898 mm)
Overall Unit Height (Vented)	29 ⁵ / ₁₆ " - 41 ⁹ / ₁₆ " (745 - 1005 mm)
Overall Unit Height (Recirculation)	34 ⁷ / ₁₆ " - 46 ¹ / ₁₆ " (875 - 1185 mm)
Unit Depth	20 ¹ / ₂ " (520 mm)
Fan	
Fan Speeds	4, Including Intensive setting
Maximum CFM	625 CFM, (Reducing Collar is available to reduce Air flow to less than 400 CFM)
Duct	
Recomended Duct Diameter	6" (150 mm)
Electrical	
Electrical Requirements	120V, 60Hz, 15A
Power Cord	Molded NEMA 5-15 plug, 4 ft (1.2 m)
Shipping	
Shipping Weight	114 lbs (52 kg)
Shipping Dimensions	52 ³ / ₄ " W x 31 ¹ / ₂ " H x 26" D
Support	
Call Miele	800.843.7231
Miele Website	www.mieleusa.com
20/20 Link	2020technologies.com

Optional Accessories:



Reducing collar

Reducing collar for use with 5" (125 mm) exhaust ducting. Lowers air flow to less than 400 CFM



DUW 20

Installation kit for recirculation mode



DKF12-1

OdorFree Charcoal filter required accessory for recirculation mode



DATK1-760

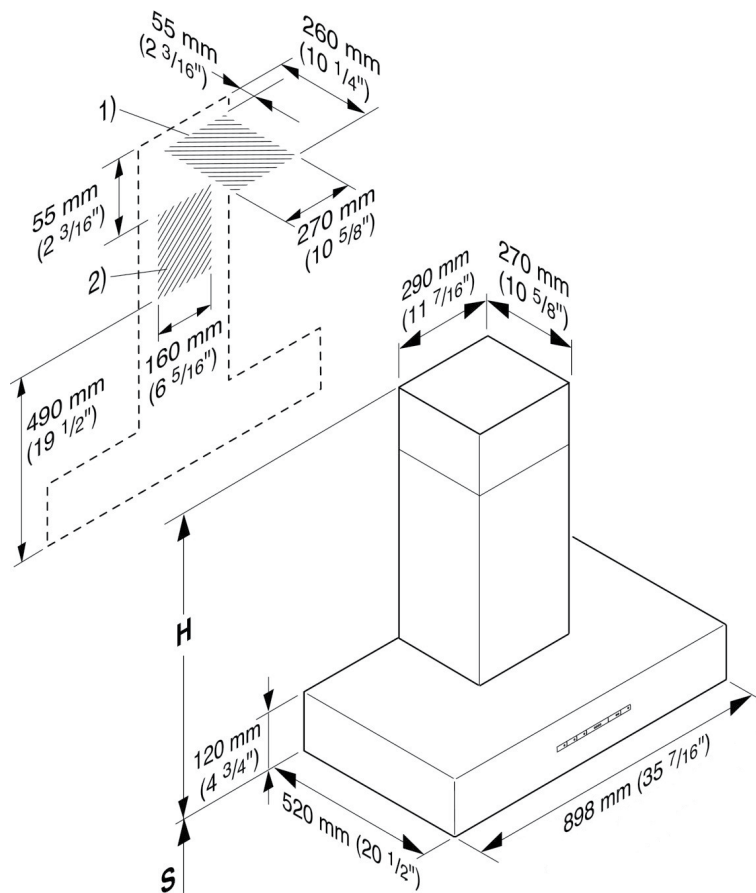
30" Chimney Extension



DATK2-1000

40" Chimney Extension

INSTALLATION SPECIFICATIONS



- 1) Air extraction mode
- 2) Recirculation mode
- 3) Air extraction vent installed upwards

- 4) and 5) Installation area
Wall/ceiling area respectively for vent
hole and outlet installation.
For recirculation mode only 4)
and only outlet installation.

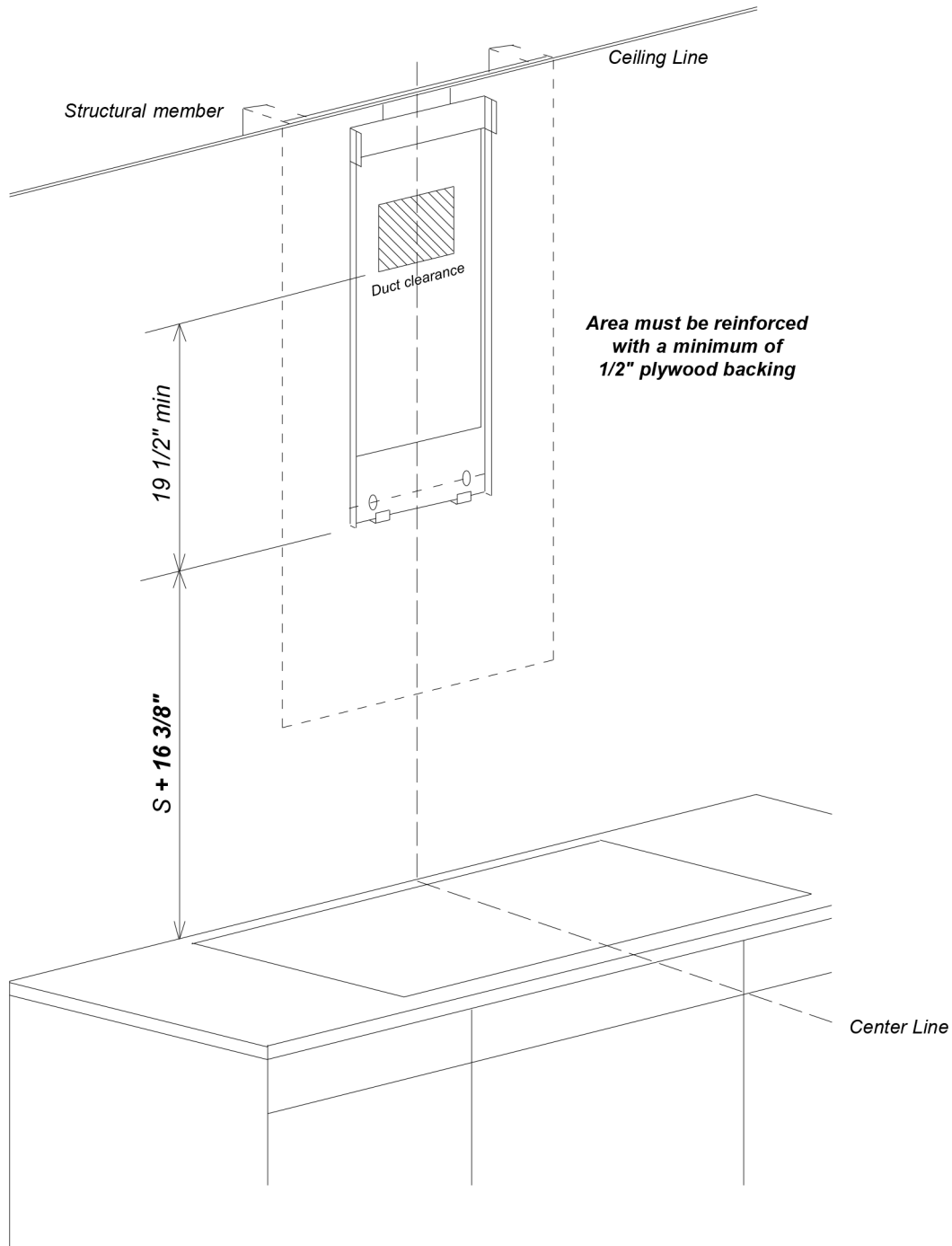
Vent hole 6" (150 mm) with reducing
collar 5" (125 mm).

Cut out area in wall or ceiling for entrance of 6" (150 mm) ductwork or 5" (125 mm) ductwork with a reducing collar.

36" Decorator Wall Hood DA 5391W



INSTALLATION SPECIFICATIONS Mounting Details



- Center unit over cooking surface
- Distances "S" is determined by the cooking surface. See "Distance between cooktop and hood (S)" dimensions.
- Area behind mounting plates **MUST** be reinforced using a minimum of 1/2" plywood. Reinforcing material should be affixed to structural wall members

INSTALLATION SPECIFICATIONS

Distance Between Cooktop and Ventilation Hood (S)

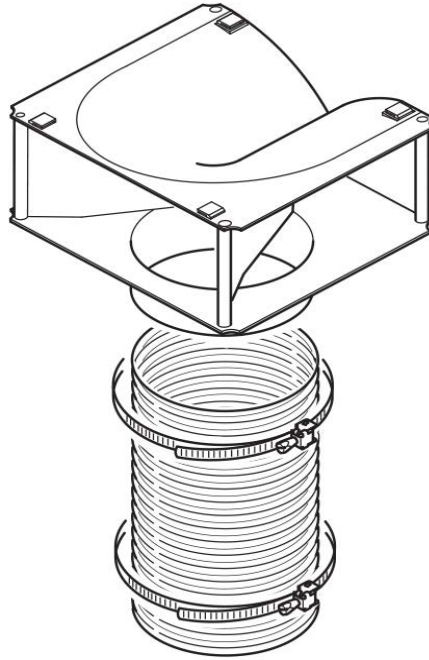
Distance between cooktop and hood (S)

Do not install this exhaust hood over cooktops burning solid fuel.

Provided a larger distance is not given by the manufacturer of the cooktop, follow the minimum safety distances between a cooktop and the bottom of the hood:

	Minimum distance S	
	Miele Cooktops	Non-Miele Cooktops
Electric Cooktops	24" (610 mm)	
Electric Barbeques and Fryers	26" (660 mm)	
Multiburner Gas cooktops ≤ 43,000 BTU/hr (12.6 KW) and no burner > 15,000 BTU/hr (4.5 KW)	26" (660 mm)	30" (760 mm)
Multiburner Gas cooktops ≤ 73,800 BTU/hr (21.6 KW) and no burner > 16,500 BTU/hr (4.8 KW)	30" (760 mm)	
Multiburner Gas cooktops > 73,800 BTU/hr (21.6 KW) or one of the burners > 16,500 BTU/hr (4.8 KW)	Not possible	
Single Burner Gas Cooktops ≤ 20,500 BTU/hr (6 KW)	26" (660 mm)	30" (760 mm)
Single Burner Gas Cooktops > 20,500 BTU/hr (6 KW) ≤ 27,600 BTU/hr (8.1 KW)	30" (760 mm)	
Single Burner Gas Cooktops > 27,600 BTU/hr (8.1 KW)	Not possible	

INSTALLATION SPECIFICATIONS
Recirculation Kit



For Recirculation mode conversion kit DUW 20 is required.