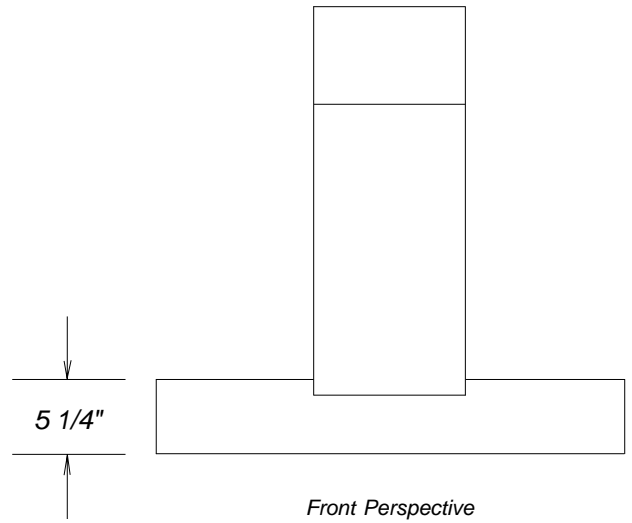
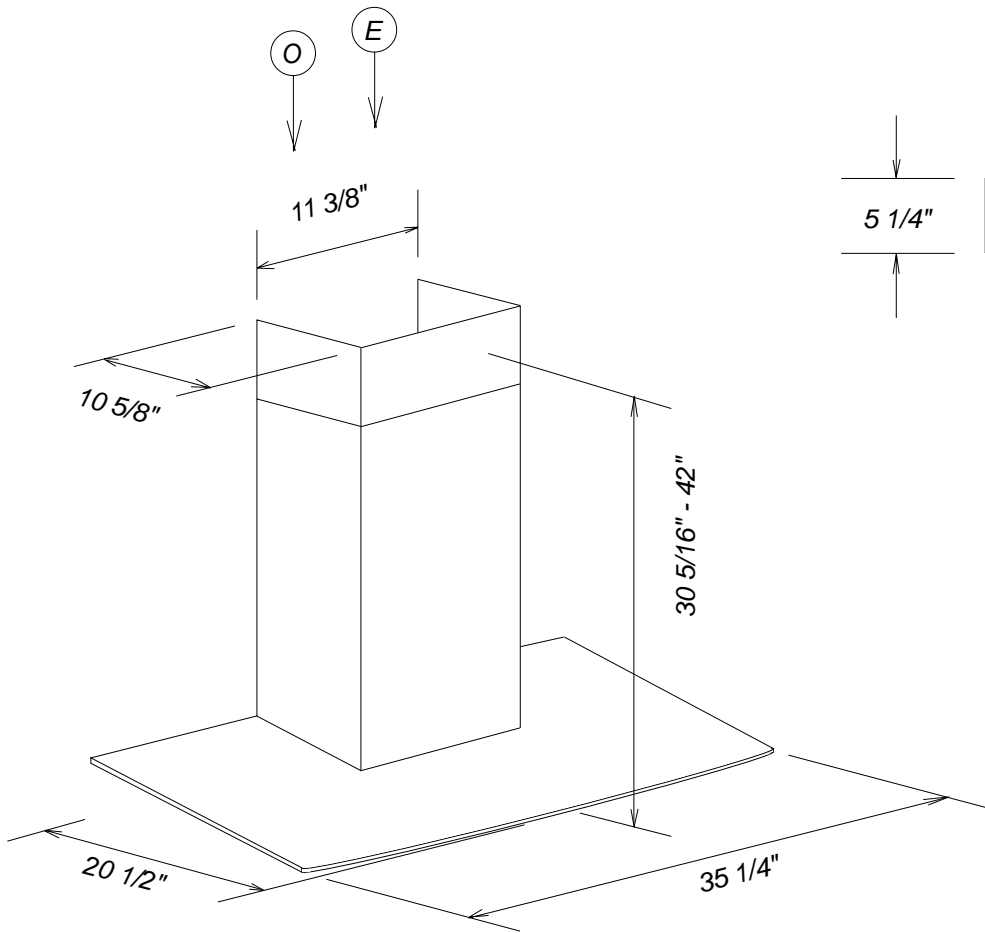


# Product Dimensions

## Decorator Wall Hood

### DA5990W



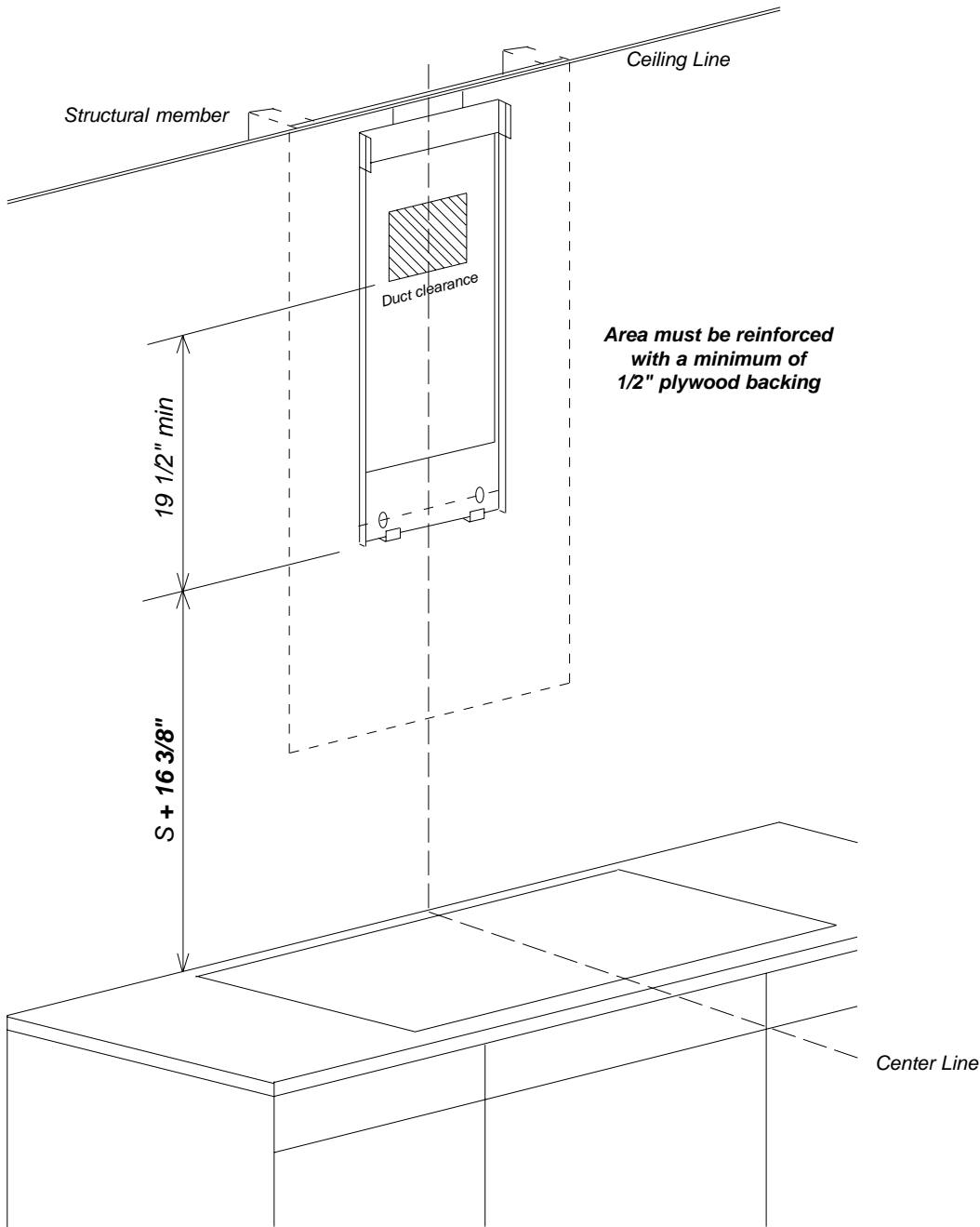
Location Codes
<p><i>E</i> - 110 Volt - 15 Amp 3-wire power supply connects through top or rear of chimney.</p> <p><i>O</i> - Standard 110 Volt Outlet</p>
Notes
<ul style="list-style-type: none"> <li>• All installations must be done in accordance with local codes.</li> <li>• 6" duct connects to blower system inside chimney.</li> </ul>

NOTE: Drawing is not to scale.  
SPECIFICATION SHEETS 010610

# Installation Dimensions

## Decorator Wall Hoods

### DA5990W



#### Notes

- Center unit over cooking surface
- Distance "S" is determined by the cooking surface.  
Minimum distance "S" is:
  - 24" for electric surfaces
  - 24" for gas surfaces based on BTU output  
(see hood instructions for details)
- Area behind mounting plates **MUST** be reinforced using a minimum of 1/2" plywood. Reinforcing material should be affixed to structural wall members

NOTE: Drawing is not to scale.  
SPECIFICATION SHEETS 010610