

Wall Ventilation Hood

DA 5996 W



Wall Ventilation Hood DA 5996 W



FEATURES

- NEW: Front mounted backlit controls
- Four fan speeds (incl. intensive)
- Removable dishwasher-safe stainless steel grease filter
- Integrated halogen lighting
- Polished steel logo
- Stainless steel finish or RAL color options

SPECIFICATIONS

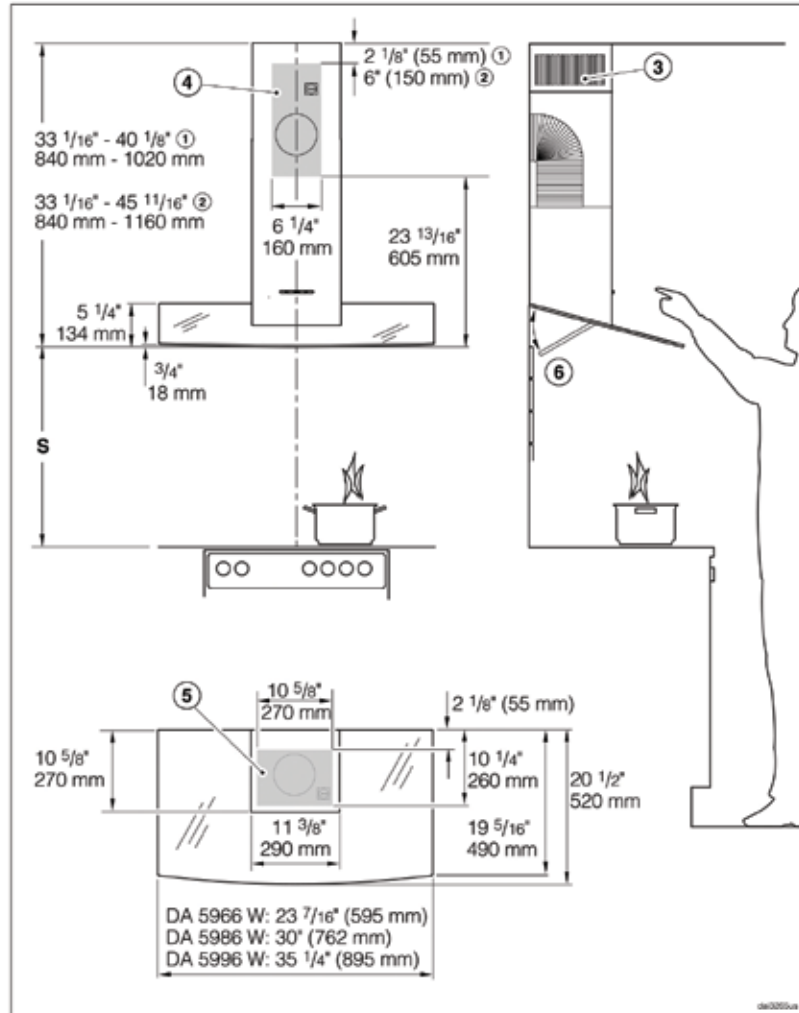
DA 5996 W — Item 28599650USA

Vented or Recirculating	625 CFM setting
Canopy Dimensions	35 ¹ / ₄ " (895mm) W x 5 ¹ / ₄ " (134mm) H x 20 ¹ / ₂ " (520mm) D
Dimensions (Standard Height) - Vented	33 ¹ / ₁₆ " — 40 ¹ / ₈ " (840—1020mm) H
Dimensions (Standard Height) - Recirculating	33 ¹ / ₁₆ " — 45 ¹¹ / ₁₆ " (840—1160mm) H
Chimney Dimensions	11 ³ / ₈ " (290mm) W x 10 ⁵ / ₈ " (270mm) D
Minimum distance above cooktop	Please refer to page 26 of the installation manual
Color	Available in brushed stainless steel or RAL colors
Electrical	
Electrical Requirements	120 V, 60 Hz, 15 Amps
Power Cord	Molded plug 2.5 ft (0.75m) NEMA 5-15
Electrical Rating	400 W (Blower: 350 W; Lighting: 1x50 W)
Optional Accessories	
Recirculating Kit	DUW 20 Recirculating Kit
OdorFree Charcoal Filter	DKF 12-1 OdorFree Charcoal Filter
Reducing Collar (air flow max. 400 CFM)	
Shipping	
Shipping Weight	48.4 lbs (21kg)
Support	
Call	800.843.7231
20/20	2020technologies.com

Wall Ventilation Hood DA 5996 W



PRODUCT VIEW



The drawing is not to scale.

- ① Vented
- ② Recirculation
- ③ Air outlet positioned at top for recirculation
- ④⑤ (only ④ is required for recirculation mode hoods): The shaded area represents the wall or ceiling area for the vent cut-out, for fitting the connection socket and on EXT models for feeding the connection cable through to the external motor. Recirculation mode range hoods only require an electrical connection socket.
- ⑥ Existing tiling or a back panel behind the hood can make it difficult to remove the grease filter. If this is the case, turn the filter by 180° and fit it before the range hood is installed.

Exhaust connector $\varnothing 6''$ (150 mm), with reducer $\varnothing 5''$ (125 mm).

PLEASE NOTE: The majority of the weight of the installed ventilation system will be supported by the lower retaining plate. It must be firmly attached to the stud framing behind the drywall. If studs are not available in the required locations, a plywood backing (min. $\frac{1}{2}''$ (13 mm) thick) spanning at least two studs must be installed. Failure to adequately support the weight as stated may result in the ventilation system falling off the wall, causing personal injury and property damage.