

Lumen Island
Ventilation Hood

DA 6296 D



Lumen Island Ventilation Hood DA 6296 D



FEATURES

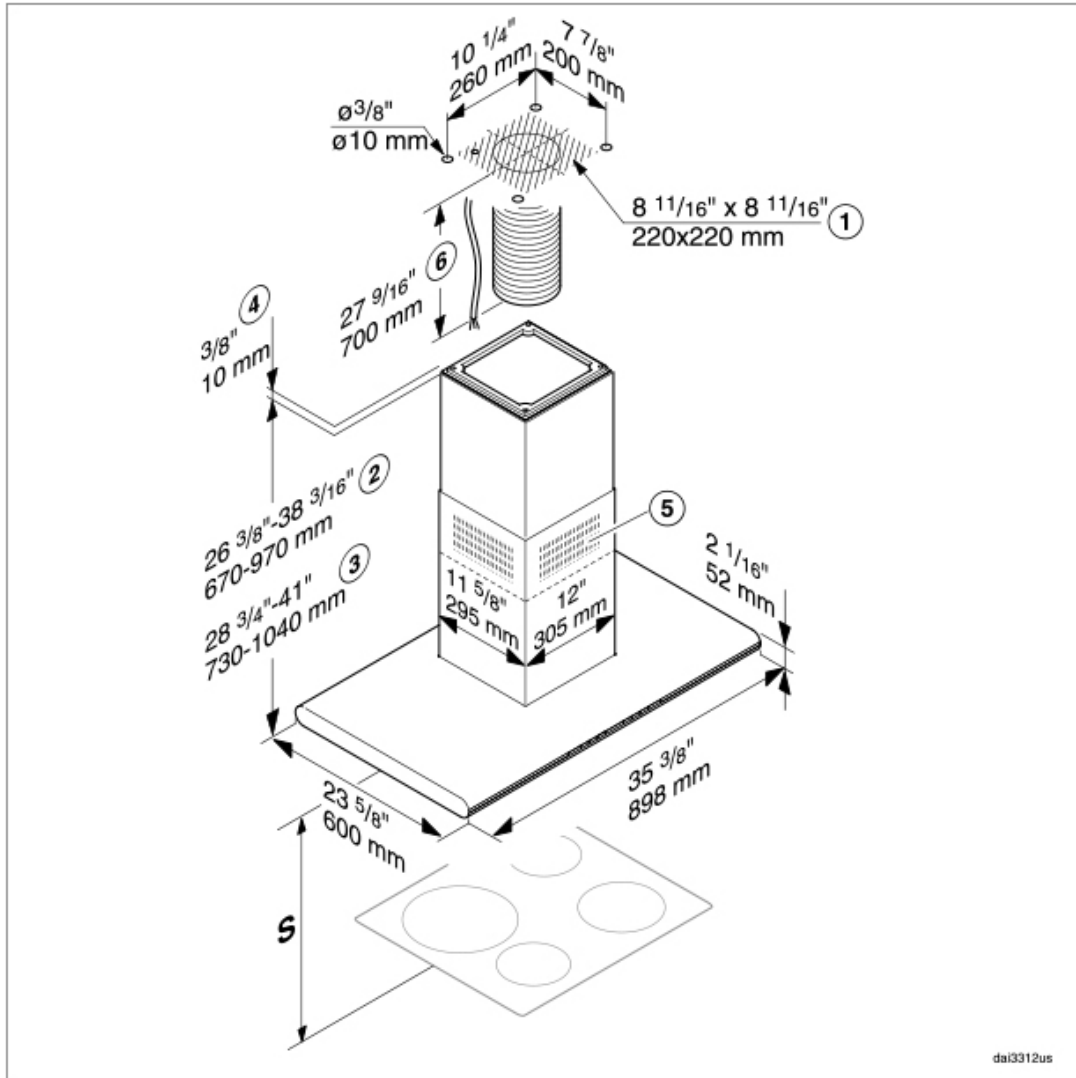
- NEW: LED ClearView lighting
- NEW: Con@ctivity — communication between hood and cooktop
- NEW: Telescopic chimney
- NEW: Recirculating as option
- Front mounted, backlit controls
- Four fan speeds (incl. intensive)
- Delayed shutdown for 5 or 15 minutes
- Dishwasher-safe metal filters
- Multi-colored LED glass-edge lighting with four preset colors and a setting that transitions through 196,000 colors with a change sequence of 1 or 15 minute intervals, enabling a favorite selection
- Polished stainless steel logo
- Stainless steel finish or RAL color options

SPECIFICATIONS

DA 6296 D — Item 28629655USA

Vented or Recirculating	625 CFM setting
Canopy Dimensions	35 ³ / ₈ " (898mm) W x 2 ¹ / ₁₆ " (52mm) H x 23 ⁵ / ₈ " (600mm) D
Dimensions (Standard Height) - Vented	26 ³ / ₈ " — 38 ³ / ₁₆ " (670—970mm) H
Dimensions (Standard Height) - Recirculating	28 ³ / ₄ " — 41" (730—1040mm) H
Chimney Dimensions	12" (305mm) W x 11 ⁵ / ₈ " (295mm) D
Minimum distance above cooktop	Please refer to page 26 of the installation manual
Color	Available in brushed stainless steel or RAL colors
Electrical	
Electrical Requirements	120 V, 60 Hz, 15 Amps
Electrical Rating	382 W (Blower: 350 W; Lighting: 4x3 W; Glass edge lighting: 2x10 W)
Optional Accessories	
Recirculating Kit	DUI 32 Recirculating Kit
OdorFree Charcoal Filter	DKF 12-1 OdorFree Charcoal Filter
Reducing Collar (air flow max. 400 CFM)	
Shipping	
Shipping Weight	81.4 lbs (37kg)
Support	
Call	800.843.7231
20/20	☎2020technologies.com

PRODUCT VIEW



- ① Mounting area for the exhaust ducting and power cable. In recirculation mode, only the power cord is required.
- ② Possible height range for appliance in vented mode
- ③ Possible height range for appliance in recirculation mode
- ④ Alternative installation with spacer frame
- ⑤ Air vent positioned at the top for recirculation