

30" Downdraft Hood

DA 6480



30" Downdraft Hood DA 6480



DA 6480

Features:

- Telescopic downdraft ventilation system
- Raises to 14" over cooktop surface
- Stainless steel finish
- Easy-to-use controls with LED indicators
- Four power levels including an Intensive setting
- 500 CFM or 1,000 CFM blower options available
- 15-minute delayed shutdown
- Dishwasher-safe stainless steel filters
- Safety temperature sensor
- Safety motion sensor when retracting downward

SPECIFICATIONS

DA 6480 w/ DAG 500 — Item DA6480+500

DA 6480 w/ DAG 1000 — Item DA6480+1000

Overall Unit Width	30" (762 mm)
Overall Unit Height (Unextended)	28 ³ / ₄ " (730 mm)
Overall Unit Height (Extended)	43 ¹ / ₄ " (1,100 mm)
Overall Canopy Height	14 ¹ / ₂ " (370 mm)
Overall Unit Depth	2 ¹ / ₈ " (54 mm)

Built-In

Minimum Opening Width	27 ¹ / ₂ " (699 mm)
Minimum Opening Depth	1 ¹³ / ₁₆ " (46 mm)
Minimum Opening Height (Including Countertop)	28 ³ / ₄ " (730 mm)

Fan

Fan Speeds	4
Maximum CFM	DA 6480 + DAG 500 - 500 CFM DA 6480 + DAG 1000 - 1000 CFM

Duct

Duct Diameter	DAG 500 - 6" (150 mm) DAG 1000 - 10" (254 mm)
---------------	--

Electrical

Electrical Requirements	120V, 60Hz, 15A
Power Cable	Ventilation system must be hard wired

Shipping

Shipping Weight	44 lbs (20 kg)
Shipping Dimensions	31 ⁵ / ₁₆ " W x 33 ¹ / ₁₆ " H x 8 ¹ / ₄ " D

Support

Call Miele	800.843.7231
Miele Website	www.mieleusa.com
20/20 Link	2020technologies.com

Not intended for use with flush mounted style cooktop, Combisets, Range, Rangetop, or KM 2355 gas cooktop.

Optional Accessories:



DKF18-1

Replacement OdorFree charcoal filter for DUU 2900



DUU 2900

Recirculation kit



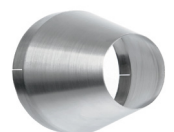
DAG 500

500 CFM Internal Blower



DAG 1000

1000 CFM External Blower



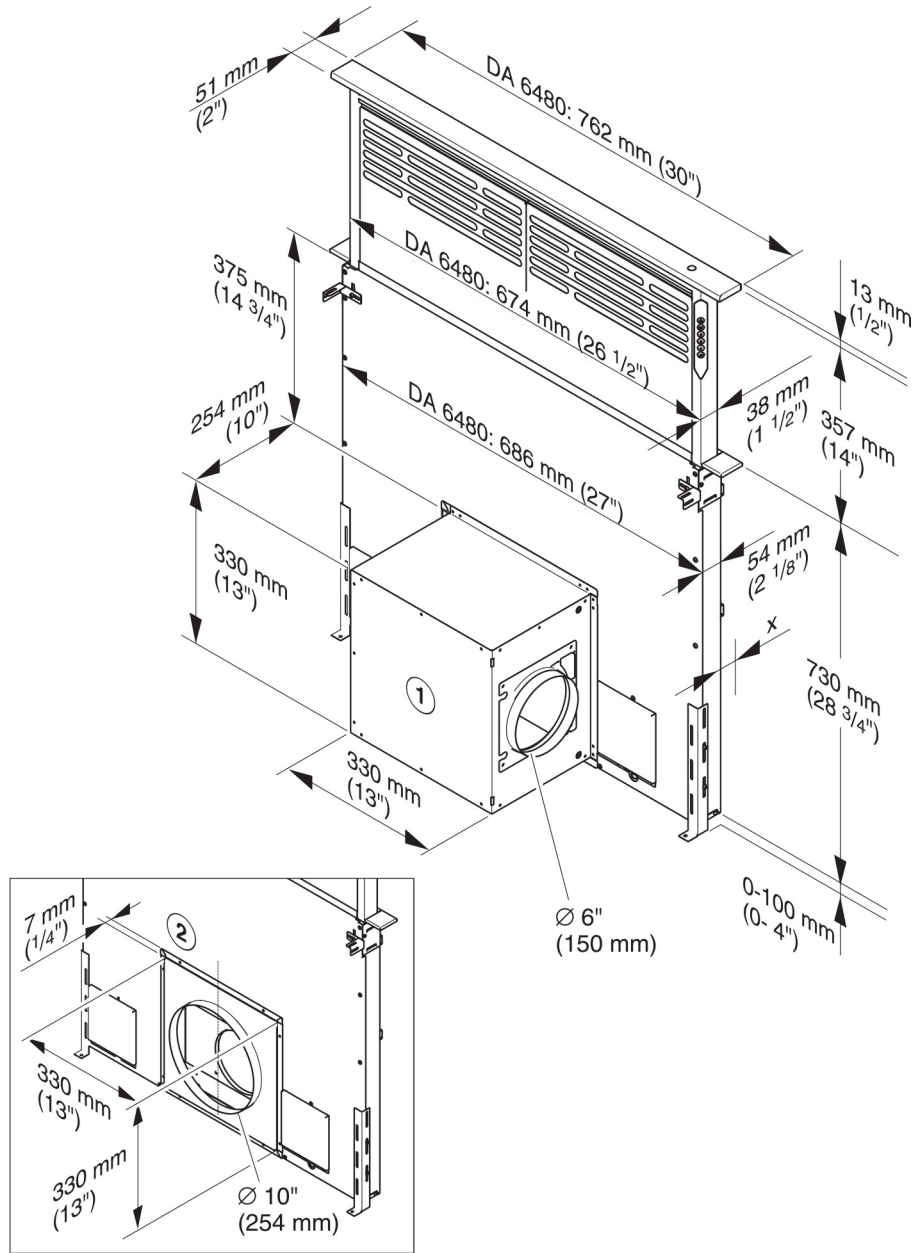
R2000

Reducing collar limits air flow to less than 300 CFM with DAG 500

30" Downdraft Hood DA 6480



PRODUCT SPECIFICATIONS

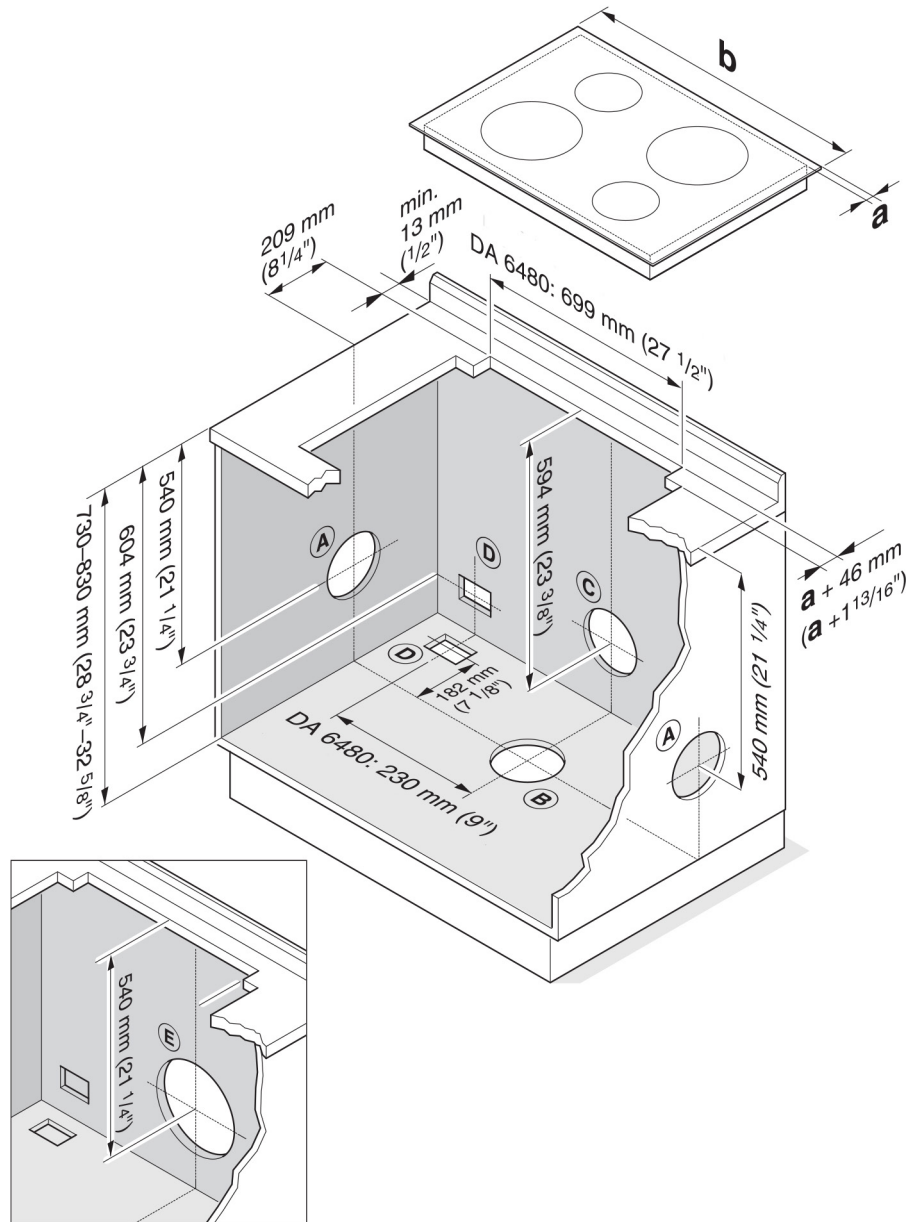


Not intended for use with flush mounted style cooktop, Combisets, Range, Rangetop, or KM 2355 gas cooktop.

30" Downdraft Hood DA 6480



INSTALLATION SPECIFICATIONS Cabinet Dimensions



a) Cooktop overhang

b) Minimum width of the cooktop:

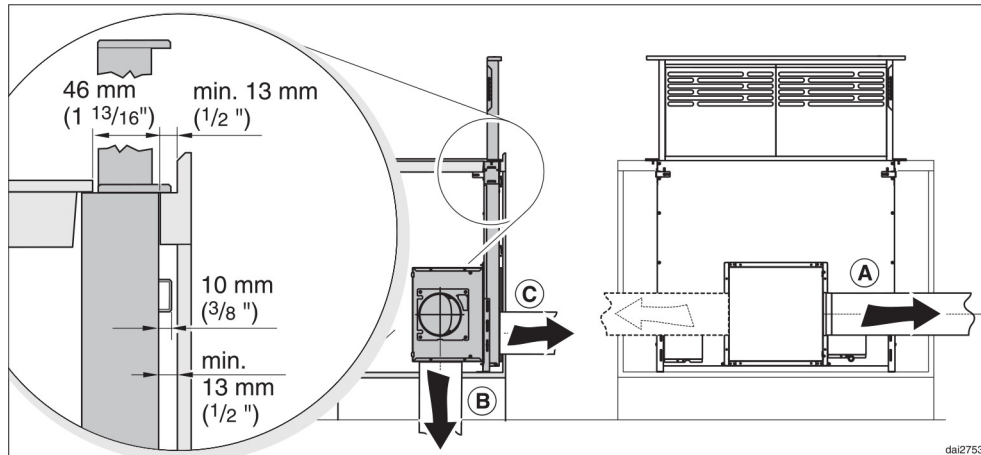
DA 6480: 28" (711 mm)

DA 6490: 34" (864 mm)

Please see Page 5 for letter Key

Not intended for use with flush mounted style cooktop, Combisets, Range, Rangetop, or
KM 2355 gas cooktop.

INSTALLATION SPECIFICATIONS Cabinet Dimensions Continued



Exhaust air ducting using the DAG 500 internal blower, installed on the front of the appliance [vent duct 6" Ø (150 mm)]: **A** to the left or right, **B** downwards, **C** to the rear.

If the blower is being installed at the rear of the appliance, a cut-out must be made in the rear of the cabinet or wall where it will be mounted and the appropriate clearances must be maintained behind the cabinet.

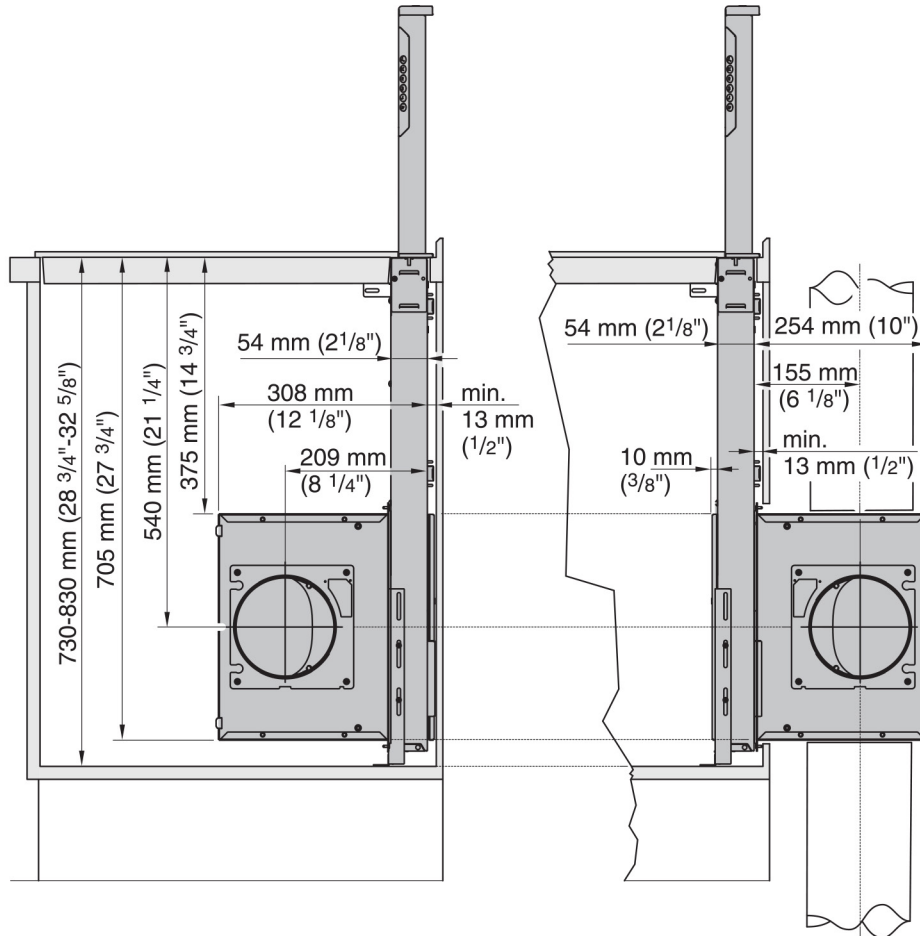
D Feed the power cord and control cable when using an external blower downwards or to the rear.

E Using the DAG 1000 external blower, install exhaust ducting to the rear (vent duct 10" Ø (254 mm)). If installing the exhaust ducting to the front, appropriate clearances must be maintained in the cabinet.

30" Downdraft Hood DA 6480



INSTALLATION SPECIFICATIONS Installation With DAG 500



DAG 500 mounted in front of the exhaust system.

DAG 500 mounted behind the exhaust system.

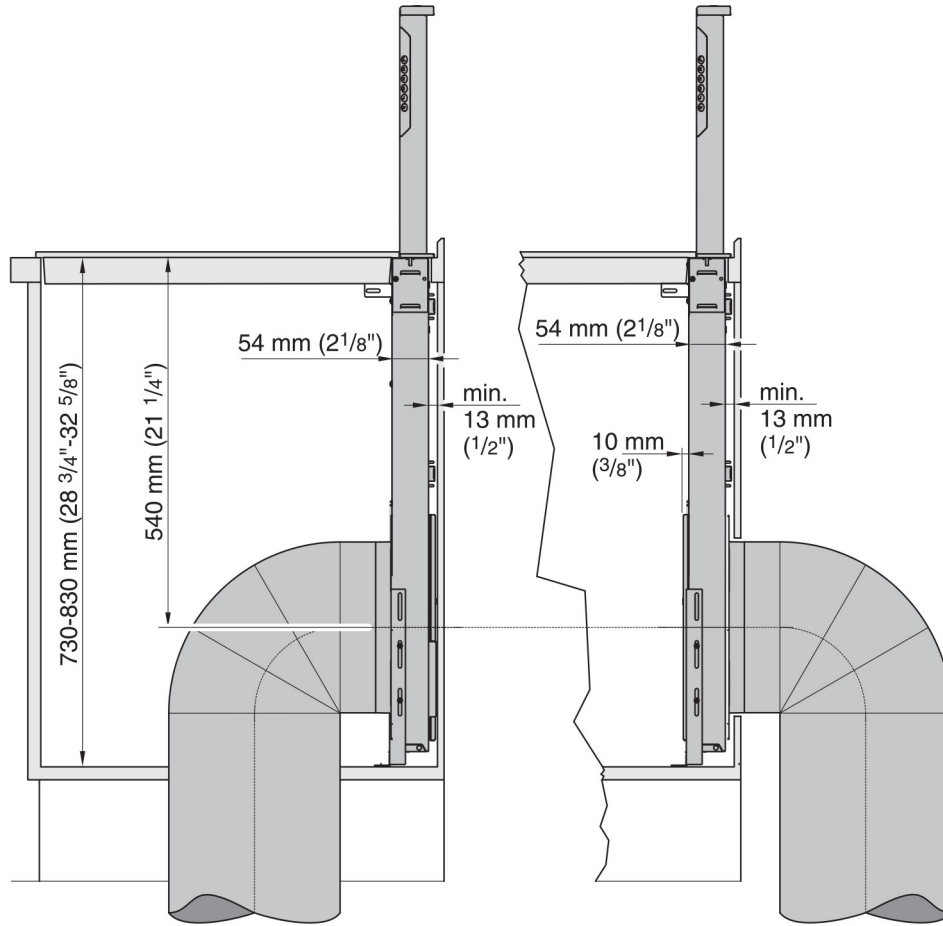
Note that the blower must be accessible to install the venting ductwork.

Not intended for use with flush mounted style cooktop, Combisets, Range, Rangetop, or KM 2355 gas cooktop.

30" Downdraft Hood DA 6480



INSTALLATION SPECIFICATIONS Installation With DAG 1000



Exhaust air ducting to the front.

Exhaust air ducting to the rear.

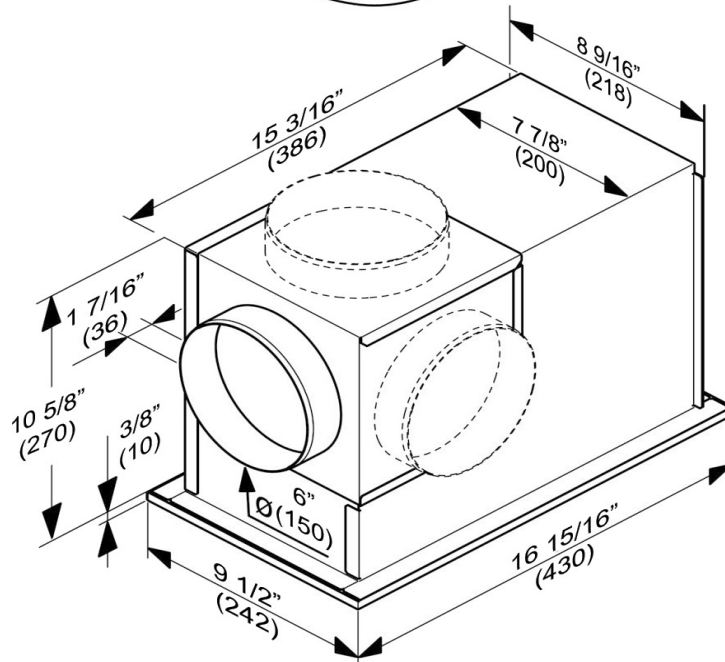
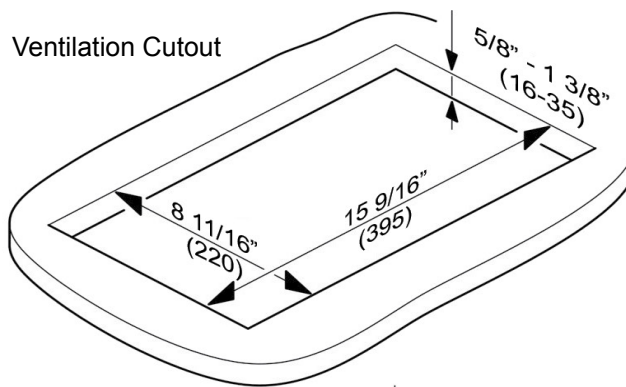
Note that the back must be accessible for the installation of the vent duct.

Not intended for use with flush mounted style cooktop, Combisets, Range, Rangetop, or KM 2355 gas cooktop.

30" Downdraft Hood DA 6480



DUU 2900
(optional accessory)



R2000
(optional accessory)



If you would like to reduce the environmental impact of your ventilation system by limiting the CFM output the Reducing Collar can be installed. It reduces the air flow to less than 300 CFM in use with DAG 500. Check local building codes for maximum CFM requirements.