

# Puristic Island Ventilation Hood

DA 6690 D HVBR



# Puristic Island Ventilation Hood

## DA 6690 D HVBR



### DA 6690 D HVBR

#### Features:

- LED ClearView lighting
- Con@ctivity - communication between hood and cooktop
- Touch on Glass controls
- Four fan speeds (incl. intensive)
- Removable dishwasher-safe stainless steel grease filter
- Filter saturation indicator (grease and charcoal filters)
- Delayed shutdown for 5 or 15 minutes
- Automatic shutdown of intensive level, programmable for 10 minutes

#### SPECIFICATIONS

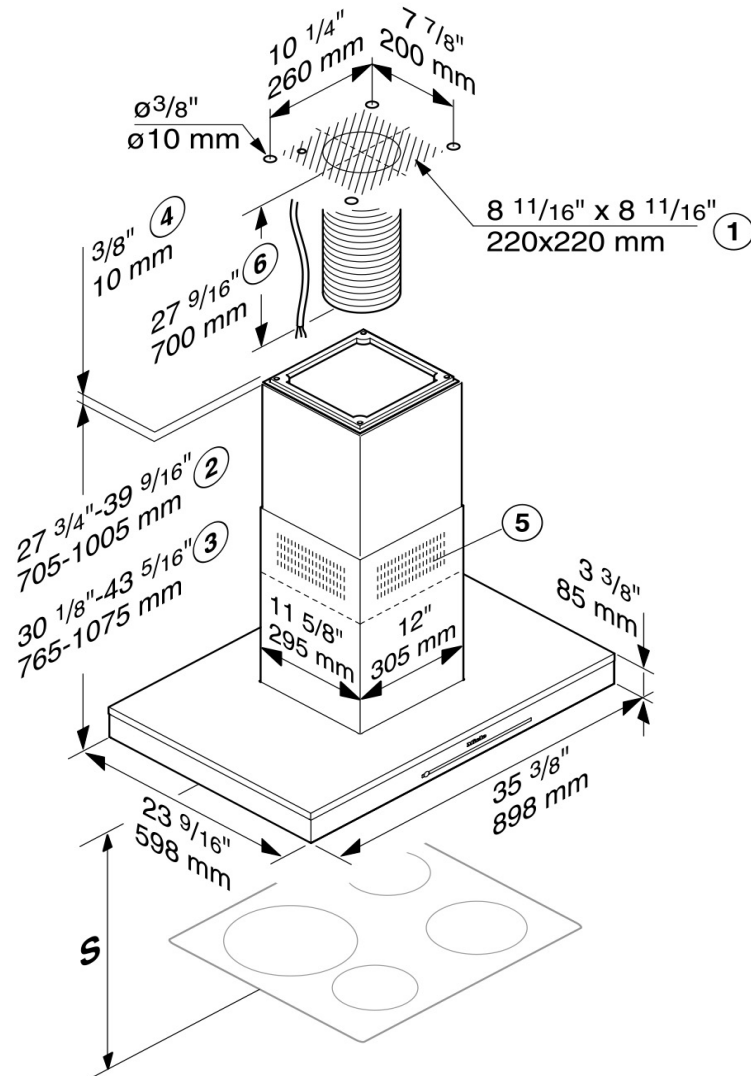
##### DA 6690 D HVBR — Item 28669005USA

|                           |  |
|---------------------------|--|
| Max CFM                   | 625 CFM  |
| Canopy Dimensions         | 35 <sup>3</sup> / <sub>8</sub> " (898mm) W x 3 <sup>3</sup> / <sub>8</sub> " (85mm) H x 23 <sup>9</sup> / <sub>16</sub> " (598mm) D  |
| Vented Height             | 27 <sup>3</sup> / <sub>4</sub> " (705mm) - 39 <sup>9</sup> / <sub>16</sub> " (1005mm)  |
| Recirculation Height      | 30 <sup>1</sup> / <sub>8</sub> " (765mm) - 43 <sup>5</sup> / <sub>16</sub> " (1075mm)  |
| Chimney Dimensions        | 12" (305mm) W x 11 <sup>5</sup> / <sub>8</sub> " (295mm) D   |
| <b>Electrical</b>         |  |
| Electrical Requirements   | 120 V, 60 Hz, 15 Amps  |
| Power Cord Requirements   | The hood must be hard wired.<br>A power cord with a minimum length of 27 <sup>9</sup> / <sub>16</sub> " (700mm) is required between the ceiling and the hood connectors. Power cord is not included. |
| <b>Exhaust Duct</b>       |  |
| Recommended Duct Diameter | 6" (150mm)   |
| <b>Shipping</b>           |  |
| Shipping Weight           | 77 lbs (35kg)  |
| <b>Support</b>            |  |
| Call Miele                | 800.843.7231   |
| Miele Website             | <a href="http://www.mieleusa.com">www.mieleusa.com</a>   |
| 20/20 Link                | <a href="http://2020technologies.com">2020technologies.com</a>   |

# Puristic Island Ventilation Hood DA 6690 D HVBR



## PRODUCT VIEW



- ① Mounting area for the exhaust ducting and power cable. In recirculation mode, only the power cord is required.
- ② Possible height range for appliance in vented mode
- ③ Possible height range for appliance in recirculation mode
- ④ Alternative installation with spacer frame
- ⑤ Air vent positioned at the top for recirculation
- ⑥ A power cord is required to connect the hood to the power supply (Power cord is not supplied). With extraction mode flexible ductin is also required.

Exhaust connection  $\varnothing$  6" (150 mm)

S - Distance between cooktop and ventilation hood. Please see manual for further detail.