

36" Shape Wall
Ventilation Hood

DA 6796 W



36" Shape Wall Ventilation Hood

DA 6796 W



DA 6796 W

Features:

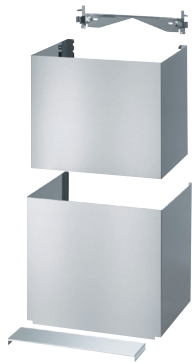
- LED ClearView Lighting
- Con@ctivity 2.0 - communication between hood and cooktop
- No chimney (venting to back) but if needed DADC 6000 in stainless steel can be purchased
- Vented or recirculating possible
- Front-mounted touch on glass controls, or controllable via optional remote control accessory (DARC6)
- Four fan speeds (including intensive)
- Fold-down canopy for easy access to removable dishwasher-safe stainless steel grease filter
- Filter saturation indicator (grease and charcoal filter)
- Delayed shutdown for 5 or 15 minutes
- Automatic shutdown of intensive level, programmable for 10 minutes

SPECIFICATIONS

DA 6796 W – Item 28679640USA

Overall Unit Width	35 ³ / ₈ " (898 mm)
Overall Unit Height	22 ³ / ₈ " (568 mm)
Overall Unit Depth	19 ⁷ / ₁₆ " (493 mm)
Fan	
Fan Speeds	4, Including Intensive setting
Maximum CFM	625 CFM, (Reducing Collar is available to reduce air flow to less than 400 CFM)
Duct	
Recommended Duct Diameter	6" (150 mm)
Electrical	
Electrical Requirements	120V, 60Hz, 15A
Power Cord	Molded NEMA 5-15 plug, 2.5 ft (0.75 m)
Shipping	
Shipping Weight	103.5 lbs (47 kg)
Shipping Dimensions	34 ⁷ / ₈ " W x 25" H x 41" D
Support	
Call Miele	800.843.7231
Miele Website	www.mieleusa.com
20/20 Link	2020technologies.com

Optional Accessories:



DADC 6000

Chimney attachment



Reducing collar

Reducing collar for use with 5" (125 mm) exhaust ducting. Lowers air flow to less than 400 CFM



DKF25-900

OdorFree Charcoal filter required accessory for recirculation mode



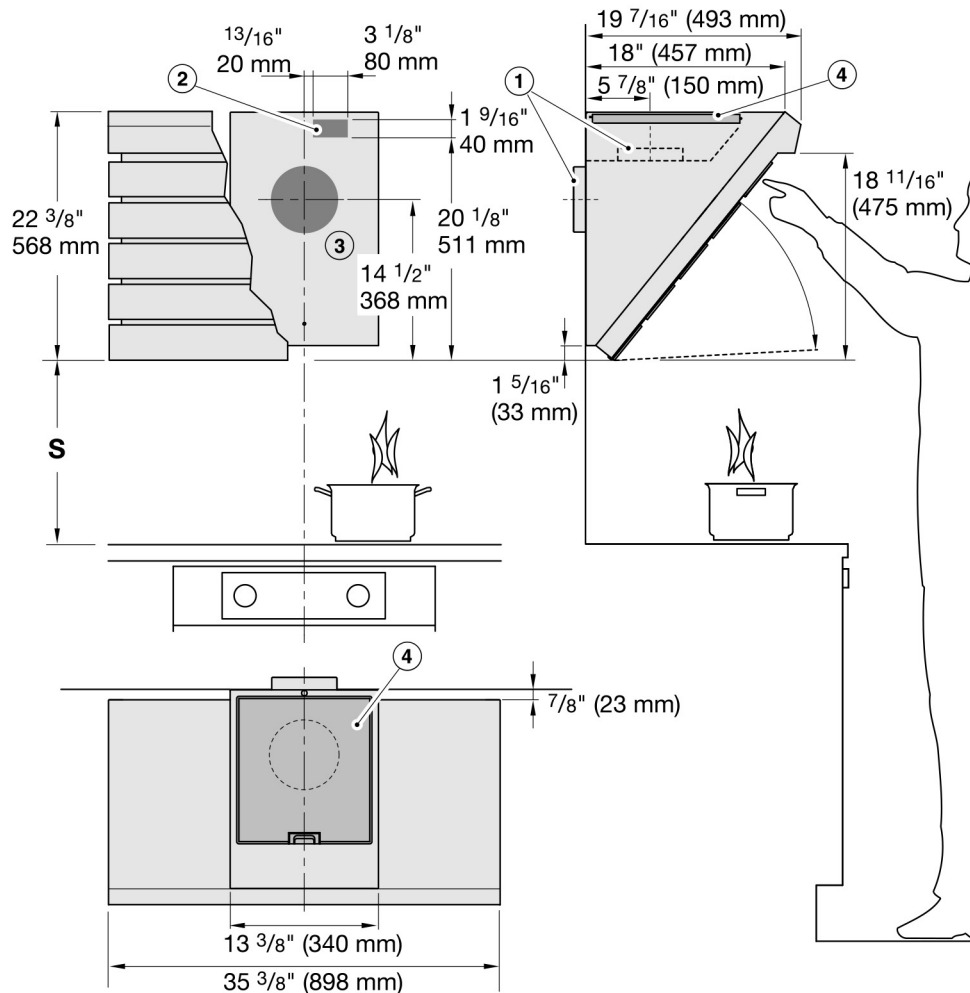
DARC6

Remote control for ventilation hood

36" Shape Wall Ventilation Hood DA 6796 W



INSTALLATION SPECIFICATIONS



- ① Extraction ducting upwards or to the rear.
- ② Cut-out for ventilation hoods with hard-wired connection rather than a plug.
- ③ $7 \frac{7}{8}$ " (200 mm) \varnothing cut-out ensures sufficient space through the wall for the extraction ducting to flex.
- ④ Ventilation outlet for recirculation mode. A gap of at least $11 \frac{11}{16}$ " (300 mm) must be maintained between the top of the ventilation hood and the ceiling or any furniture above it.

Vent collar \varnothing 6" (150 mm), with adapter \varnothing 5" (125 mm).

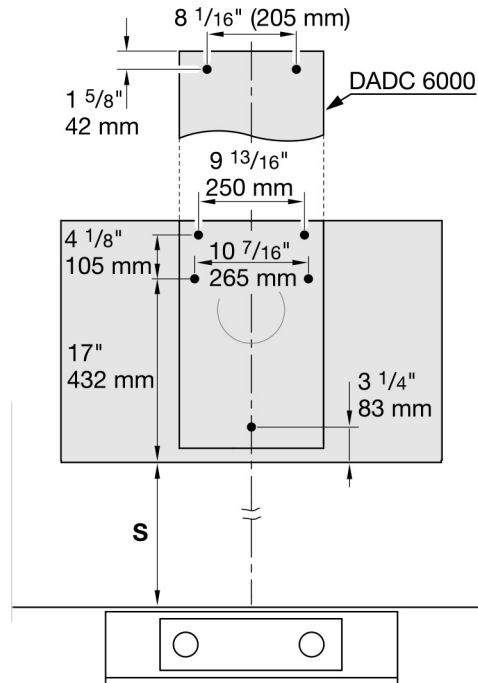
Please observe installation positions for the socket and for the ducting outlet shown on the relevant drawings when using the DADC 6000 canopy.

36" Shape Wall Ventilation Hood DA 6796 W



INSTALLATION SPECIFICATIONS

Mounting Details



- Center unit over cooking surface
- Distances "S" is determined by the cooking surface. See "Distance between cooktop and hood (S)" dimensions.
- If studs are not available in the required locations, a plywood backing (min. 1/2" (13 mm)) **MUST** be used to reinforce support. Reinforcing material should be affixed to structural wall members. Failure to adequately support the weight as stated may result in the ventilation system falling off the wall, causing personal injury and property damage.

36" Shape Wall Ventilation Hood

DA 6796 W



INSTALLATION SPECIFICATIONS

Distance Between Cooktop and Ventilation Hood (S)

Distance between cooktop and ventilation hood (S)

Provided a larger distance is not given by the manufacturer of the cooktop, follow the minimum safety distances between a cooktop and the bottom of the hood.
Please also observe the information contained in the "IMPORTANT SAFETY INSTRUCTIONS" section.

Cooking appliance	Minimum distance S	
	Miele appliance	Non-Miele appliance
Electric Cooktops	24" (610 mm)	
Electric Barbeques and Fryers	26" (660 mm)	
Multiburner Gas Cooktops ≤ 43,000 BTU/hr (12.6 kW), no burner > 15,000 BTU/hr (4.5 kW).	26" (660 mm)	30" (760 mm)
Multiburner Gas Cooktops ≤ 73,800 BTU/hr (21.6 kW), no burner > 16,500 BTU/hr (4.8 kW)	30" (760 mm)	
Multiburner Gas Cooktops > 73,800 BTU/hr (21.6 kW), or one of the burners > 16,500 BTU/hr (4.8 kW)	Not possible	
Single Burner Gas Cooktops ≤ 20,500 BTU/hr (6 kW)	26" (660 mm)	30" (760 mm)
Single Burner Gas Cooktops > 20,500 BTU/hr (6 kW) ≤ 27,600 BTU/hr (8.1 kW)	30" (760 mm)	
Single Burner Gas Cooktops > 27,600 BTU/hr (8.1 kW)	Not possible	

36" Shape Wall Ventilation Hood

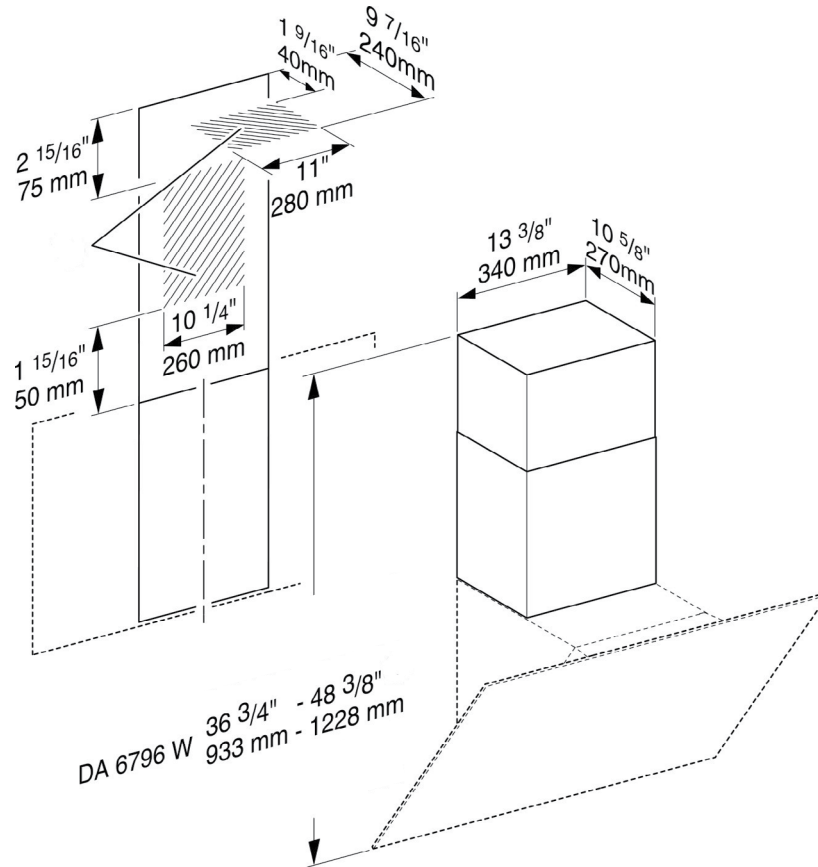
DA 6796 W



INSTALLATION SPECIFICATIONS

Optional Chimney Details

DADC 6000



 Cut out area in wall or ceiling for entrance of 6" (150 mm) ductwork or 5" (125 mm) ductwork with a reducing collar.