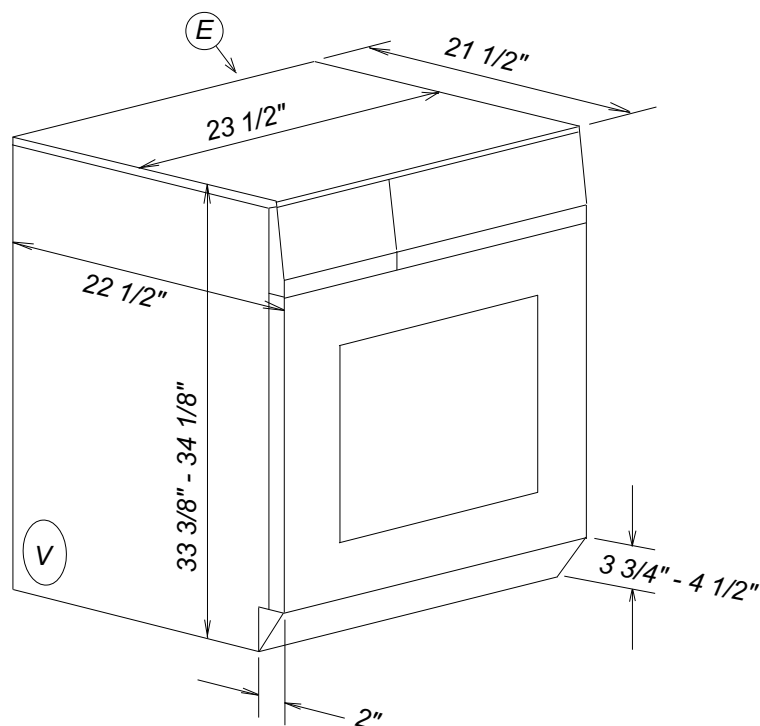


# Product Dimensions

## Large Capacity Vented Dryer

### Angled control

#### T8003 / T8005



#### Location Codes

- E - 208/240 Volt, 30 Amp 5 foot molded plug power supply connects upper right rear (NEMA 14-30 Configuration).*
- V- Venting location may be adjusted to lower right or left side or lower left rear (see separate sheet).*

#### Notes

- All installations must be done in accordance with local codes**
- See "Cut-out Dimensions" sheet for undercounter or built-in space requirements

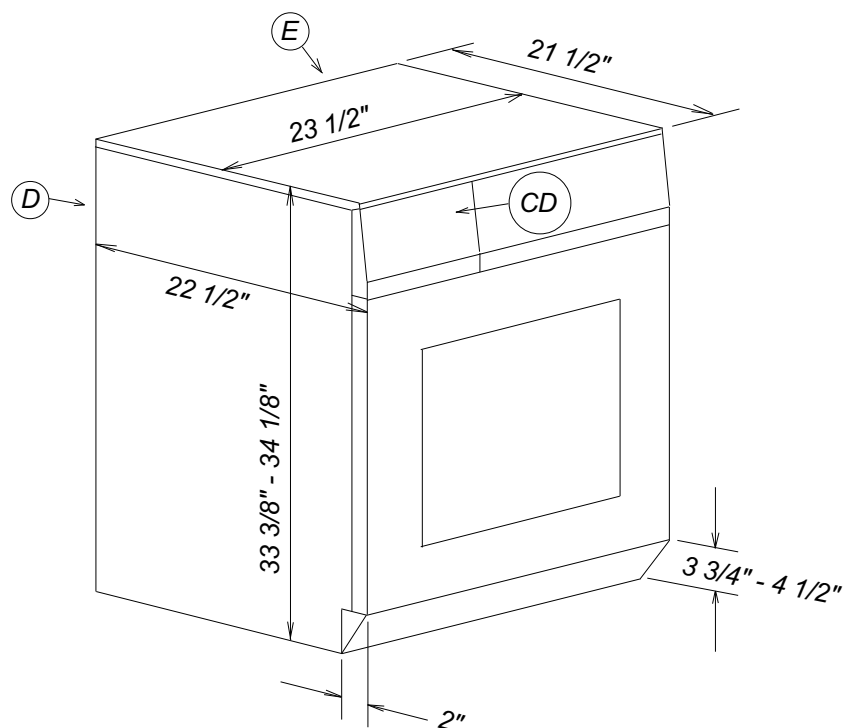
NOTE: Drawing is not to scale.  
SPECIFICATION SHEETS 08262011

# Product Dimensions

## Large Capacity Condenser Dryer

### Angled control

### T8013C



Location Codes
E - 208/240 Volt, 30 Amp 5 foot molded plug power supply connects upper right rear (NEMA 14-30 Configuration).

Notes
<ul style="list-style-type: none"> <li>• <b>All installations must be done in accordance with local codes</b></li> <li>• See "Cut-out Dimensions" sheet for undercounter or built-in space requirements</li> </ul>

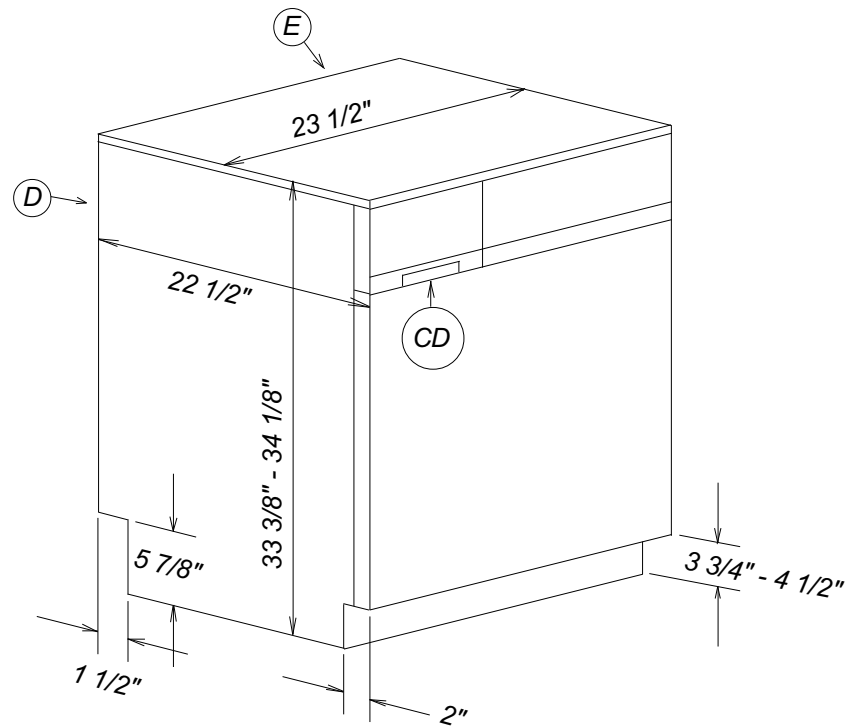
NOTE: Drawing is not to scale.  
SPECIFICATION SHEETS 08262011

# Product Dimensions

## Large Capacity Condenser Dryers

### Flat Controls - Decor unit

#### T8019Ci



#### Location Codes

E - 208/240 Volt, 30 Amp 5 foot molded plug power supply connects upper right rear (NEMA 14-30 Configuration).

#### Notes

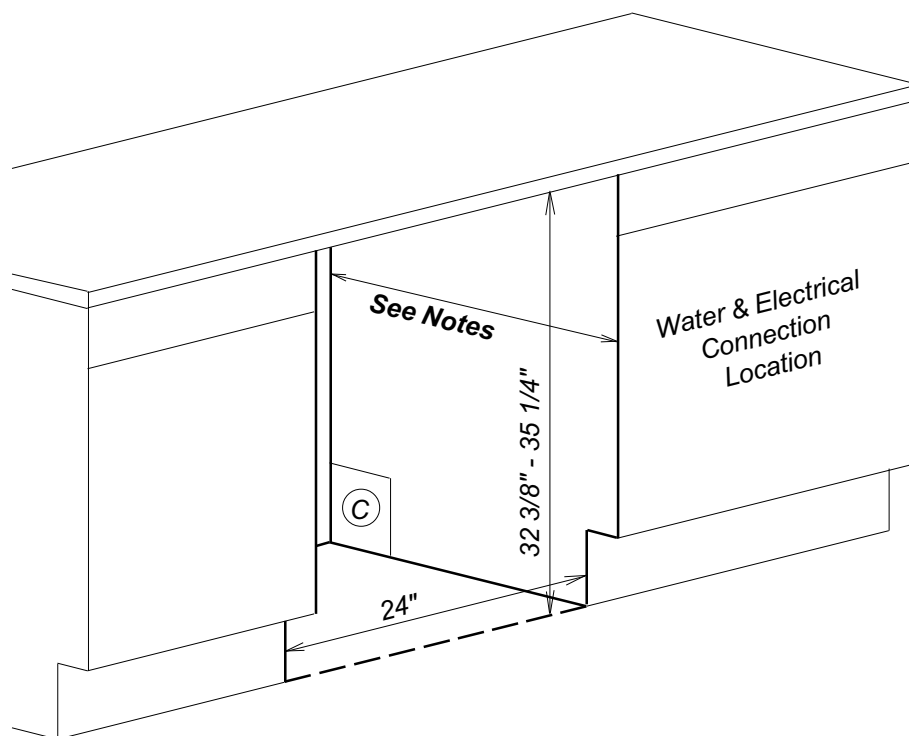
- **All installations must be done in accordance with local codes**
- See "Cut-out Dimensions" sheet for undercounter or built-in space requirements

NOTE: Drawing is not to scale.  
SPECIFICATION SHEETS 08262011

# Cut-out Dimensions

## Built-in Installations

### Large Capacity Laundry Products



Location Codes
C - Cutout for Electric and Vent/Drain pass-through. Adjust according to duct or drain location.

Notes
<ul style="list-style-type: none"> <li>• Needed depth will vary by model number: T8003-T8013C: 24" minimum T8019Ci 25" minimum</li> <li>• Typically requires removal of unit's lid. Out of box unit height dimension without lid is 32 5/16" - 32 11/16".</li> </ul>

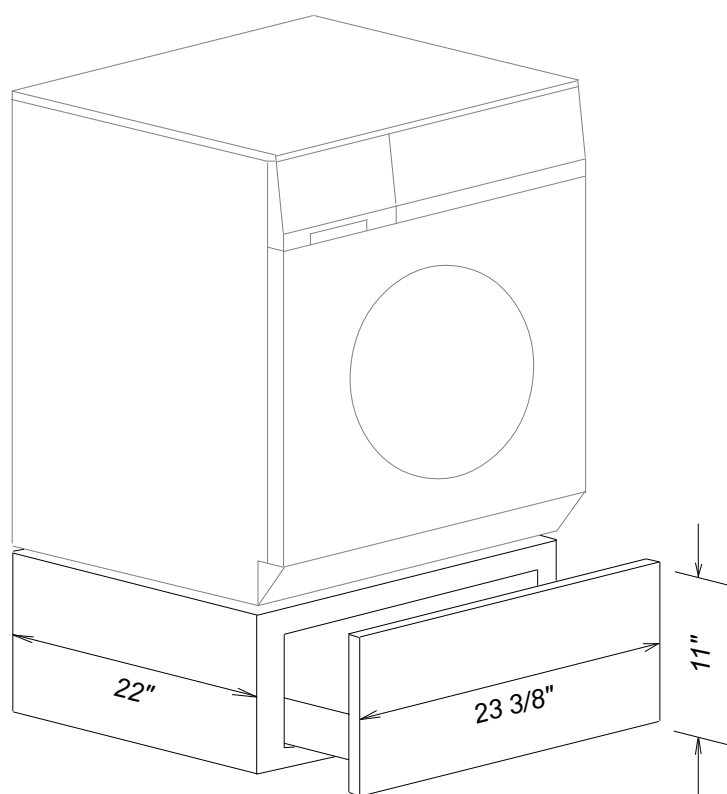
NOTE: Drawing is not to scale.  
SPECIFICATION SHEETS 08262011

# Product Dimensions

Laundry Stand

WTS410 - White Only

**Miele**



## Notes

- For use with the T8003, T8005 and T8013C large capacity tumble dryers.
- All installations must be done in accordance with local codes

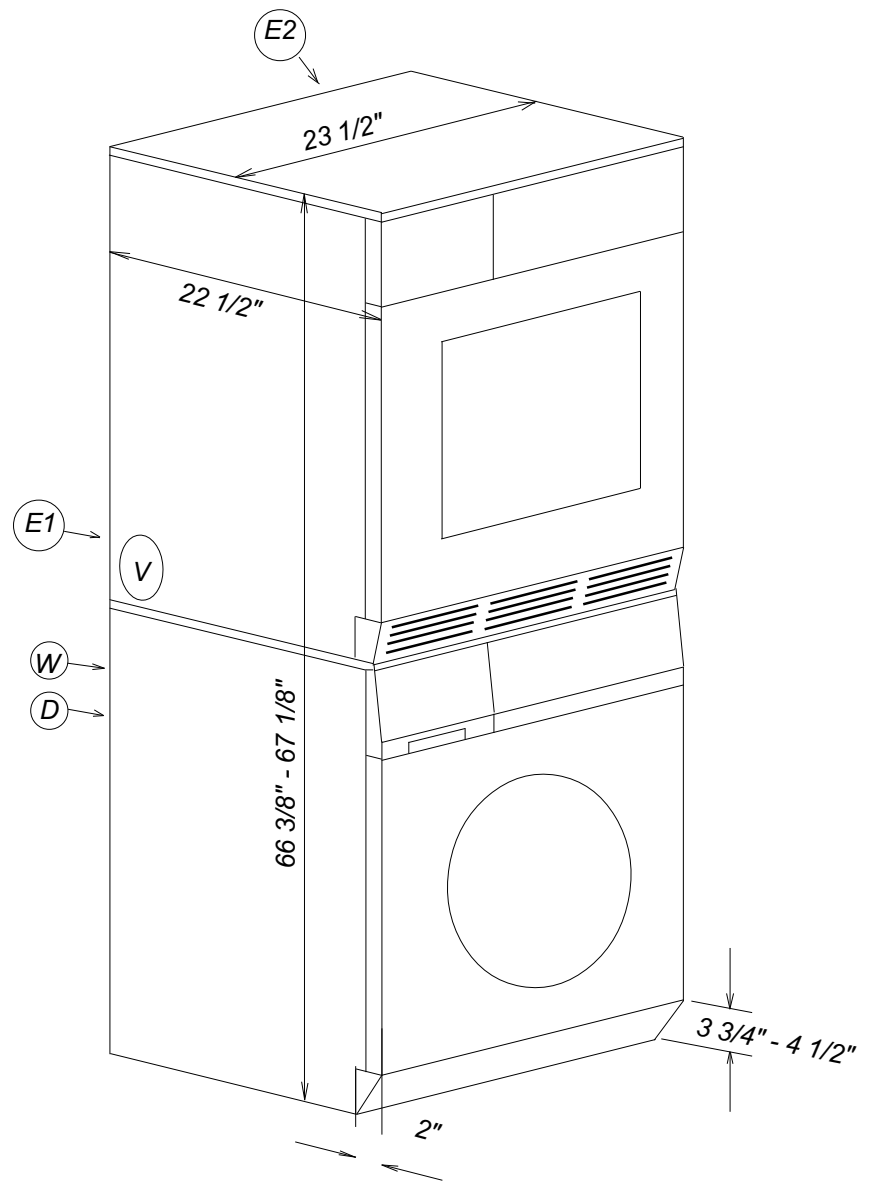
NOTE: Drawing is not to scale.  
SPECIFICATION SHEETS 08262011

# Product Dimensions

## Stacked Washer & Dryer

### Example Combination

### W3033 + T8003



Location Codes	
D -	5 foot flexible drain hose connects upper left rear.
E1 -	120 Volt, 15 Amp 5 foot molded plug power supply connects upper left rear (NEMA 5-15 Configuration).
E2 -	208/240 Volt, 30 Amp 5 foot molded plug power supply connects upper right rear (NEMA 14-30 Configuration).
W -	5 foot separate flexible hot and cold water intake hoses connect upper left rear.

#### Notes

- **All installations must be done in accordance with local codes**
- See "Cut-out Dimensions" sheet for undercounter or built-in space requirements
- **Remove transport struts in rear of machine before installation.**
- **WTV 407 Stacking kit for W3033, T8003, T8013C**
- **WTV 410 Stacking kit for W3039i / T8019Ci**
- **WTV 419 Stacking kit for W3035 / T8005**

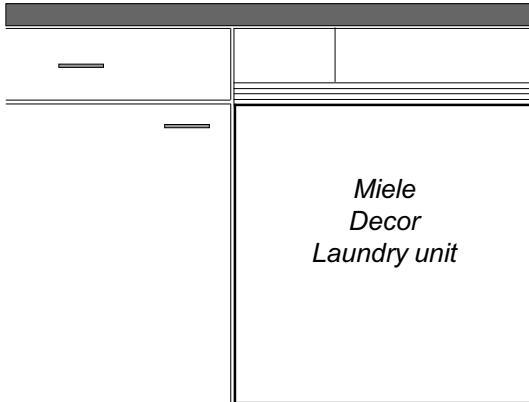
# Panel Information

## Integrated Laundry T8019Ci Decor Unit



These units come equipped with a full size white front panel. These units are also designed to either accept a thin insert or a custom front panel supplied by the custom cabinet maker.

Sizes are as follows:



### Version 1 - Thin insert

**Width:** 23 1/4" for all machines  
**Thickness:** up to 1/8"  
**Height:** 25" in all cases

With this version, a thin white frame will be exposed after installation

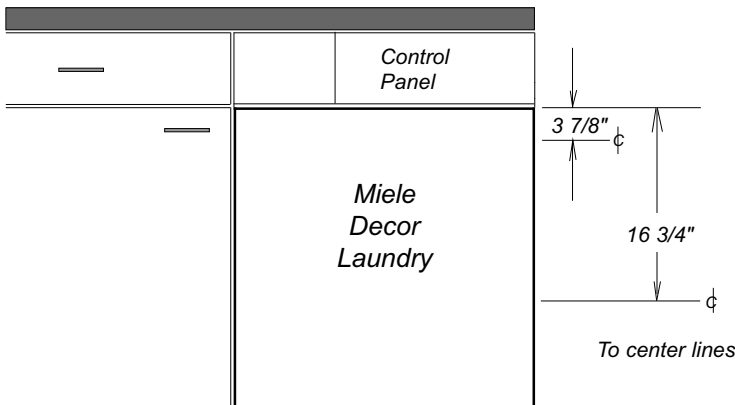
### Version 2 - Custom Front Panel

**Width:** 23 3/8" for all machines  
**Thickness:** up to 3/4"  
**Height:** Up to 25"

With this version, the existing front panel is removed and replaced by the new custom panel

### Hinge Notches

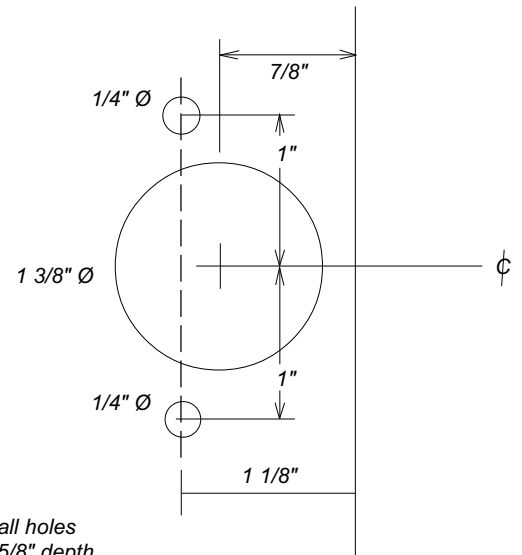
In certain installations, notches will be required to accommodate the hinges in the front panel.



**Note:** To insure access to customer serviceable features, a minimum 4" toe kick above finished floor (AFF) is required.

### Notch Pattern

For this installation, drill the following pattern in the appropriate locations.



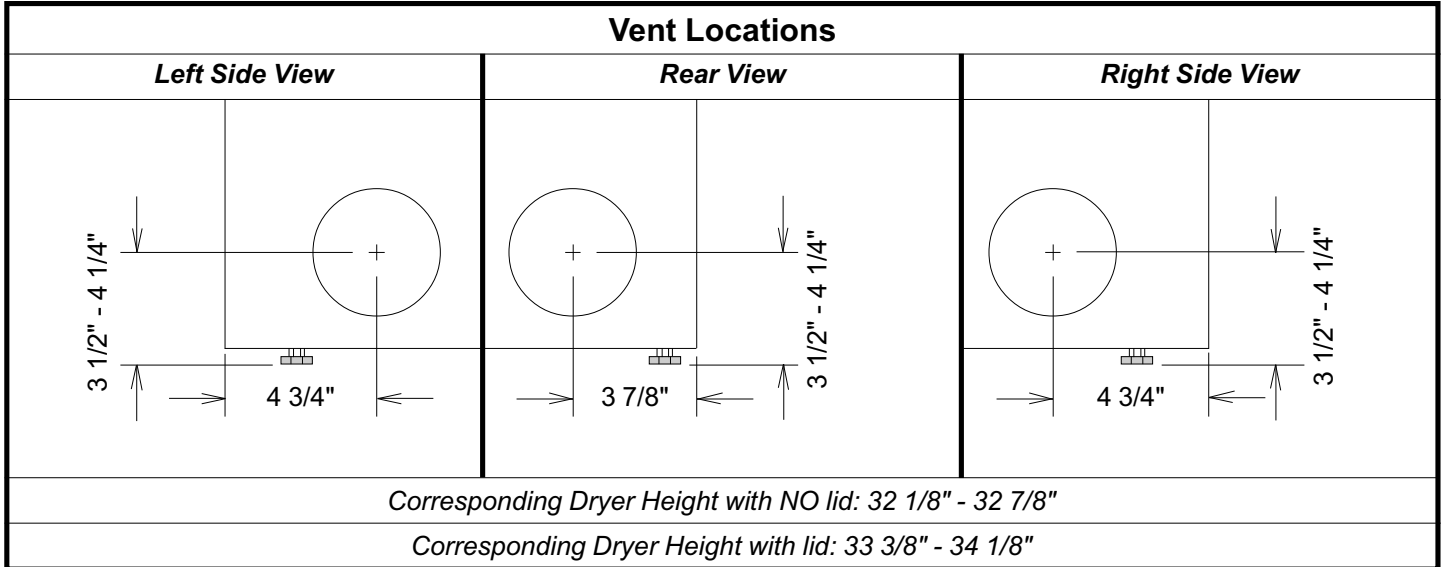
Drill all holes to a 5/8" depth

NOTE: Drawing is not to scale.  
 SPECIFICATION SHEETS 08262011

# Vent Locations

Vented dryers

T8003, T8005



Vent Duct Calculations			
Maximum Duct Lengths	Type of Bend or duct	Effective Radius	Subtract
4" diameter	Flexible duct 90°	4 - 12 inches	1 3/4 feet
4 3/16" diameter	Flexible duct 90°	12 - 20 inches	1 1/4 feet
4 3/4" diameter	Flexible duct 45°	4 - 20 inches	1 1/4 feet
5" diameter	Smooth duct 90° or 45°	4 - 8 inches	1 1/4 feet
	Elbow 90°	Sharp bend	8 1/4 feet
	Concertina bend	8 inch	2 3/4 feet
	Segmented bend	8 inch	2 feet
	Louvered wall or window vent (#03780400)		12 1/2 feet
	Wall vent kit with flap (#00087184)		5 feet
	Window vent kit with flap (#00087185)		5 feet
	Exhaust connection - left		20 feet
	Exhaust connection - right		33 feet
	Flat duct (#01221330)		59 feet

DO NOT use vinyl ducting with Miele appliances.



# Vent Locations

## Stacked Washer & Dryer

### Example Combination

