

H 7660 BP

24" Convection Oven - PureLine

Features:

- M-Touch S Display with Motion React - Simple to use touch controls
- Miele@Home - Control the appliances with your app
- Roast Probe - For Precision cooking
- Moisture Plus - a burst of steam for professional quality cooking results at home
- Taste Control - Prevents overcooked dishes

Included:

- 1 Universal baking tray
- 1 Grilling and Roasting Insert for baking tray
- 2 Self Clean Ready Baking and Roasting Rack
- 1 Set of FlexiClips

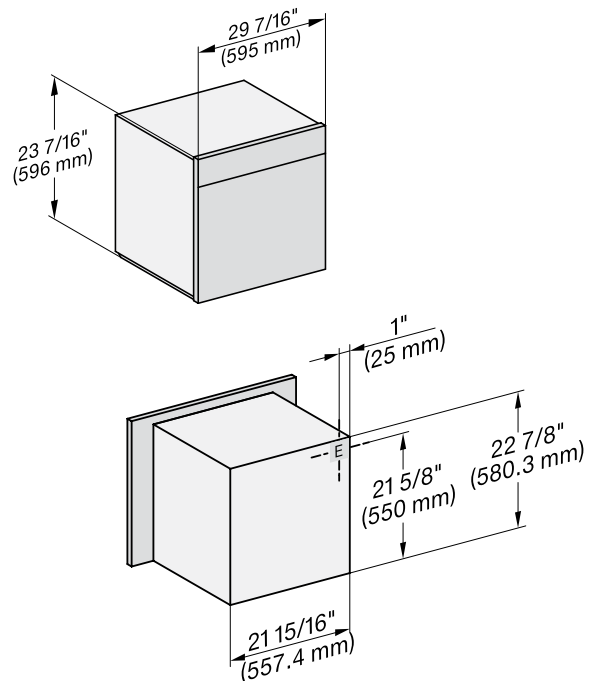


MATERIAL

11804810

SPECIFICATIONS	
Overall Unit Dimensions	23 ⁷ / ₁₆ " (595 mm) W x 23 ⁷ / ₁₆ " (596 mm) H x 21 ¹ / ₂ " (546 mm) D
Niche	
Minimum Cabinet Niche Opening	22 ¹ / ₈ " (562 mm) W x 23 ¹ / ₄ " (590 mm) H x 24" (610 mm) D
Electrical	
Electrical Requirements	120/208-240V, 60Hz, 30 Amps
Power Cord	NEMA 14-30 plug, 5 ft (1.52 m)
Shipping	
Shipping Weight	119 lbs (54 kg)
Shipping Dimensions	27 ¹ / ₈ " (698 mm) W x 29 ⁷ / ₁₆ " (747 mm) H x 26 ⁷ / ₁₆ " (671 mm) D

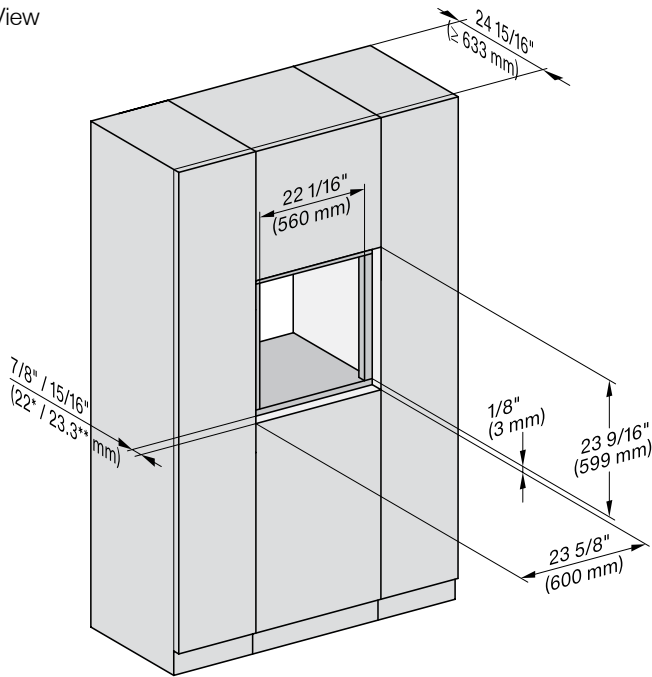
PRODUCT DIMENSIONS



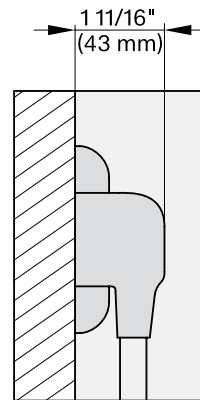
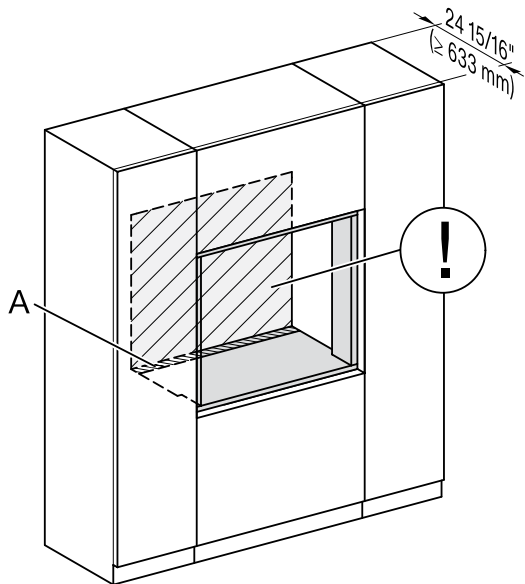
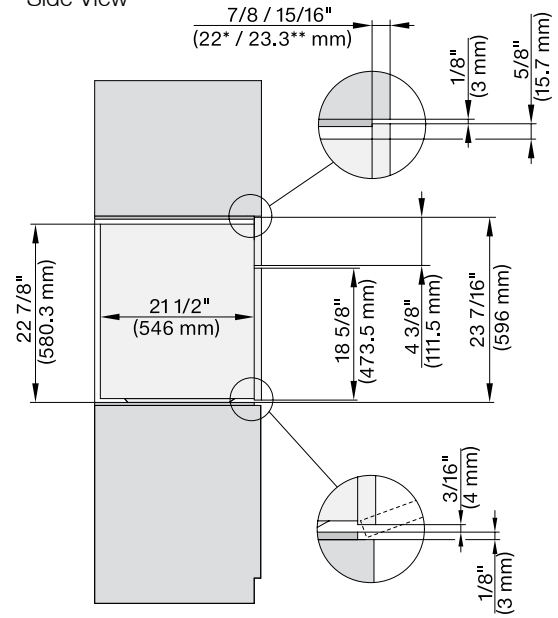
E = Electrical Connection

FLUSH CUTOUT DIMENSIONS

Front View



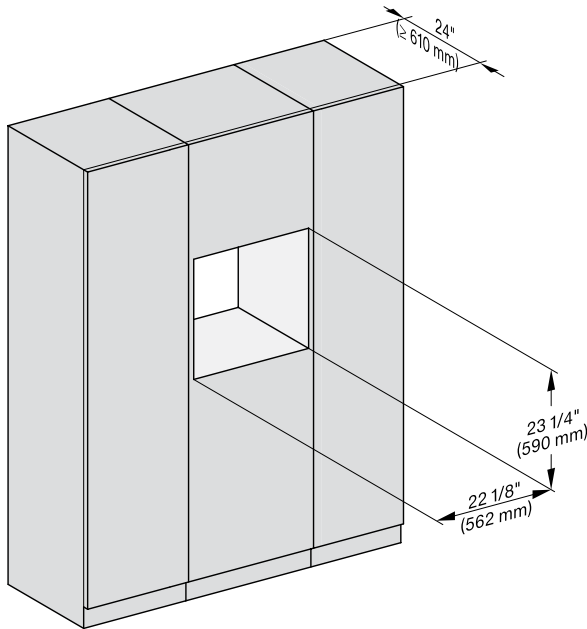
Side View



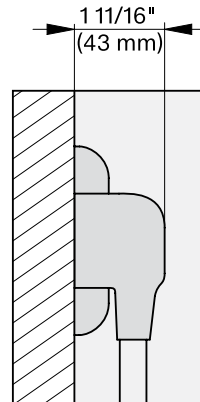
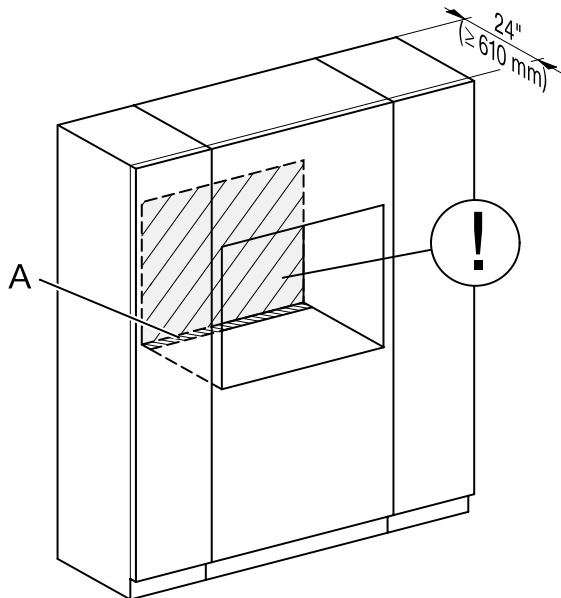
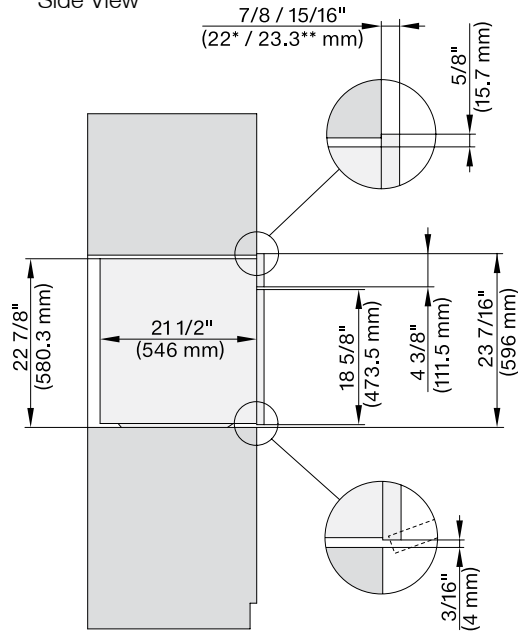
- A - Cut-out (4" x 28" [100 mm x 720 mm]) in the bottom of the cabinet for the power cord and Ventilation
- ⓘ - Electrical and water supplies are recommended to be placed in adjacent cabinetry.
Additional cabinet depth is required when placing the electrical and water supplies behind the appliance.

PROUD CUTOUT DIMENSIONS

Front View



Side View



A - Cut-out (4" x 28" [100 mm x 720 mm]) in the bottom of the cabinet for the power cord and Ventilation

ⓘ - Electrical and water supplies are recommended to be placed in adjacent cabinetry.

Additional cabinet depth is required when placing the electrical and water supplies behind the appliance.