

H 7670 BM

30" Speed Oven - PureLine

Features:

- Speed ovens combine the functionality of a microwave and compact convection oven into one appliance
- M-Touch S Display - Simple to use touch controls
- WifiConn@ct - Monitor appliances from your mobile device
- Motion React - Appliance reacts to you when approached
- Roast Probe - Precise temperature control of food
- Automatic programs - easily master new recipes



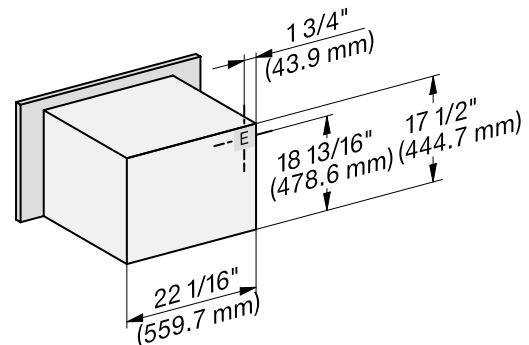
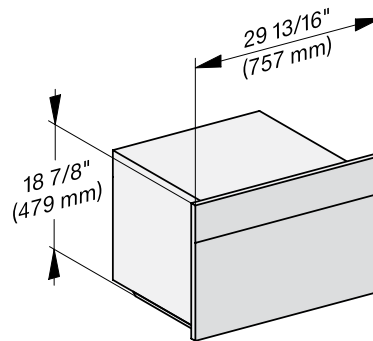
Included:

- 1 Baking and Roasting Rack with Perfect Clean
- 1 Glass Dish

MATERIAL #	UMRP	RETAIL
11804610	tbd.	tbd.

SPECIFICATIONS	
Overall Unit Dimensions	29 ¹³ / ₁₆ " (757 mm) W x 18 ⁷ / ₈ " (479 mm) H x 21 ¹ / ₁₆ " (551 mm) D
Niche	
Minimum Cabinet Niche Opening	28 ¹ / ₂ " (470 mm) W x 18 ¹ / ₂ " (724 mm) H x 24" (610 mm) D
Electrical	
Electrical Requirements	120/208-240V, 60Hz, 30 Amps
Power Cord	NEMA 14-30 plug, 5 ft (1.52 m)
Shipping	
Shipping Weight	128 lbs (58 kg)
Shipping Dimensions	30 ⁵ / ₈ " (777 mm) W x 29 ³ / ₄ " (743 mm) H x 32 ⁷ / ₈ " (837 mm) D

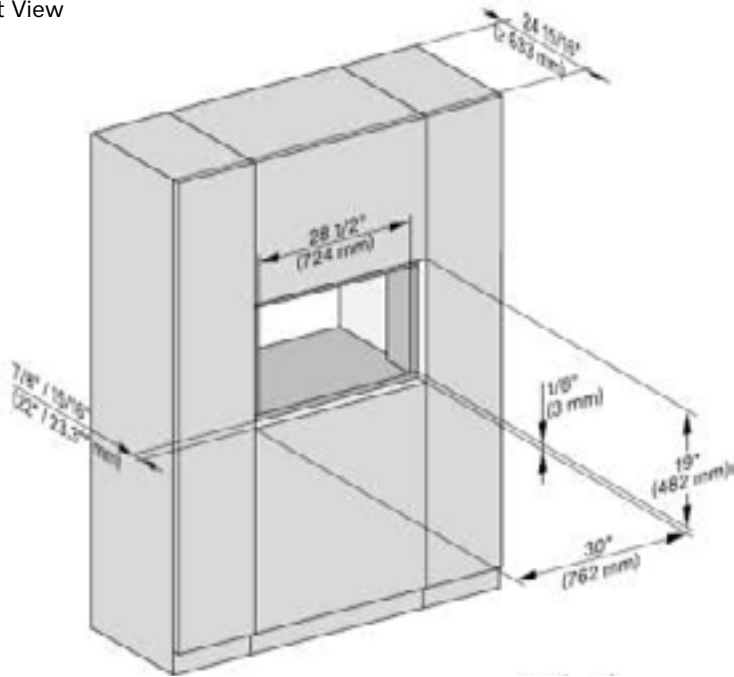
PRODUCT DIMENSIONS



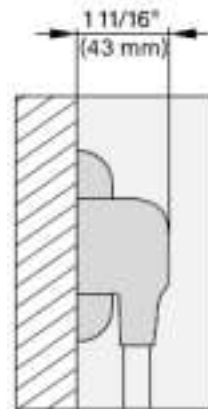
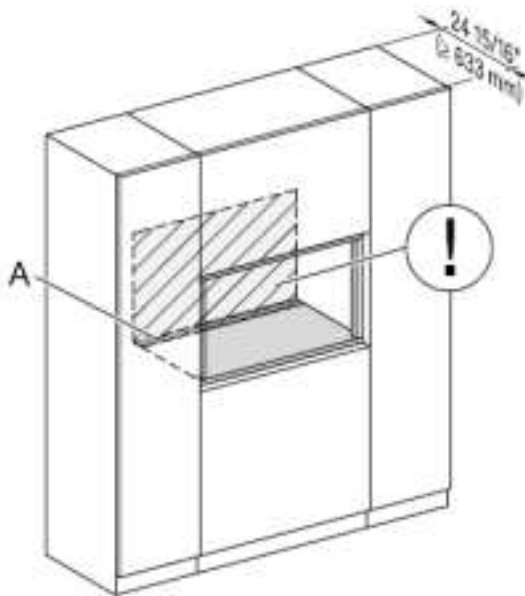
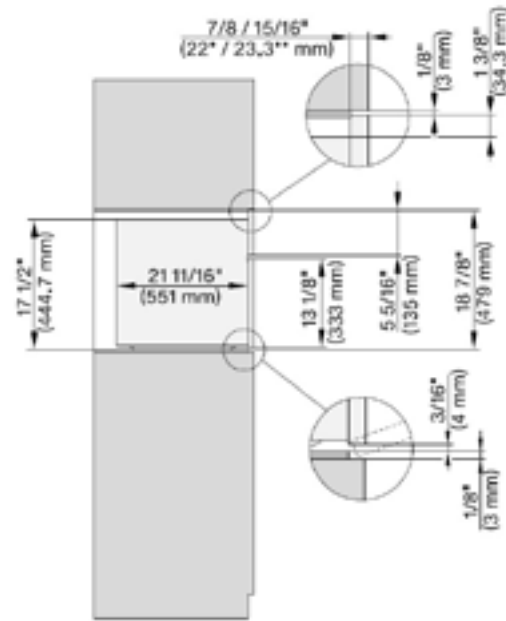
E = Electrical connection

FLUSH CUTOUT DIMENSIONS

Front View



Side View



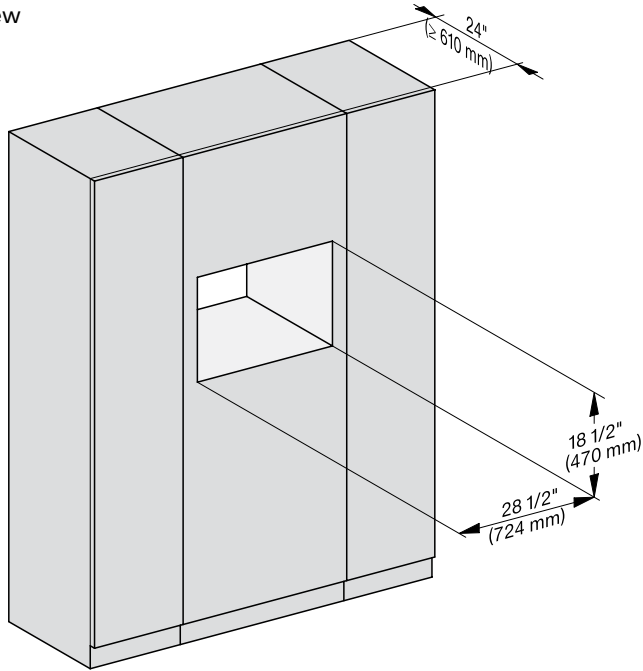
A - Cut-out (4" x 28" [100 mm x 720 mm]) in the bottom of the cabinet for the power cord and Ventilation

ⓘ- Electrical and water supplies are recommended to be placed in adjacent cabinetry.

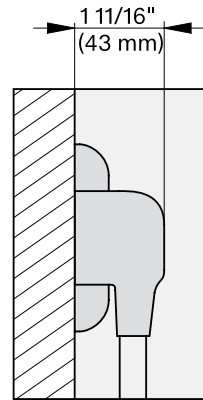
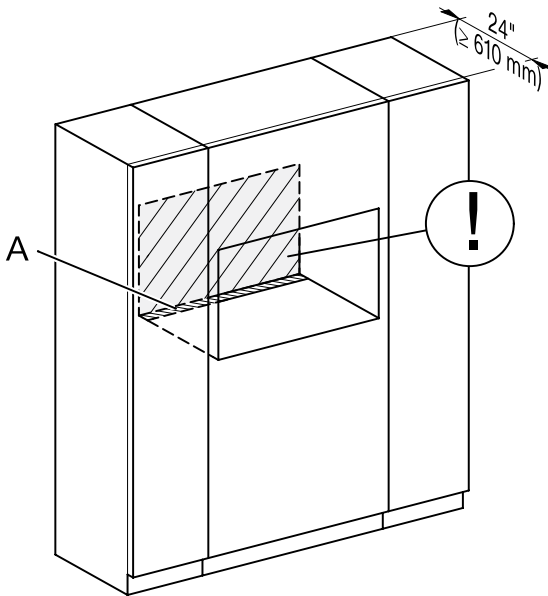
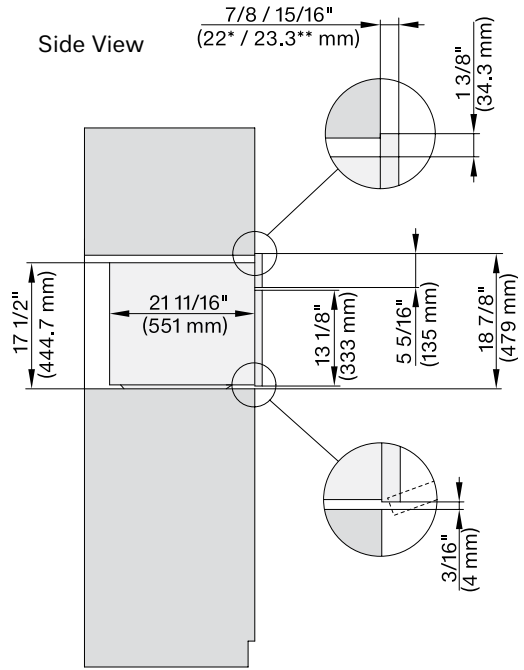
Additional cabinet depth is required when placing the electrical and water supplies behind the appliance.

PROUD CUTOUT DIMENSIONS

Front View



Side View



A - Cut-out (4" x 28" [100 mm x 720 mm]) in the bottom of the cabinet for the power cord and Ventilation

⚠- Electrical and water supplies are recommended to be placed in adjacent cabinetry.

Additional cabinet depth is required when placing the electrical and water supplies behind the appliance.