

## H 7870 BM

### 30" Speed Oven - PureLine

#### Features:

- Speed ovens combine the functionality of a microwave and compact convection oven into one appliance
- M-Touch Display - Simple to use touch controls
- WifiConn@ct - Monitor appliances from your mobile device
- Motion React - Appliance reacts to you when approached
- Roast Probe - Precise temperature control of food
- Automatic programs - easily master new recipes

#### Included:

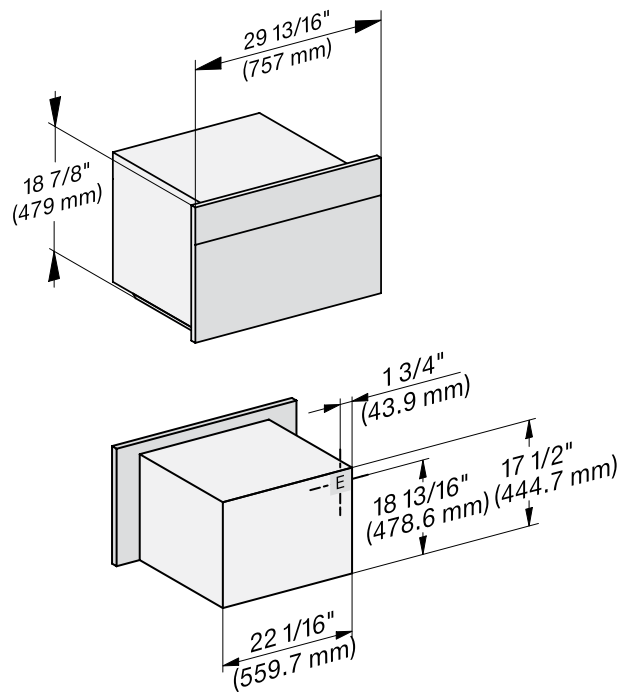
- 1 Baking and Roasting Rack with Perfect Clean
- 2 Glass Dishes



MATERIAL #	UMRP	RETAIL
11804680	tbd.	tbd.

SPECIFICATIONS	
Overall Unit Dimensions	29 <sup>13</sup> / <sub>16</sub> " (757 mm) W x 18 <sup>7</sup> / <sub>8</sub> " (479 mm) H x 21 <sup>1</sup> / <sub>16</sub> " (551 mm) D
Niche	
Minimum Cabinet Niche Opening	28 <sup>1</sup> / <sub>2</sub> " (470 mm) W x 18 <sup>1</sup> / <sub>2</sub> " (724 mm) H x 24" (610 mm) D
Electrical	
Electrical Requirements	120/208-240V, 60Hz, 30 Amps
Power Cord	NEMA 14-30 plug, 5 ft (1.52 m)
Shipping	
Shipping Weight	128 lbs (58 kg)
Shipping Dimensions	30 <sup>5</sup> / <sub>8</sub> " (777 mm) W x 29 <sup>3</sup> / <sub>4</sub> " (743 mm) H x 32 <sup>7</sup> / <sub>8</sub> " (837 mm) D

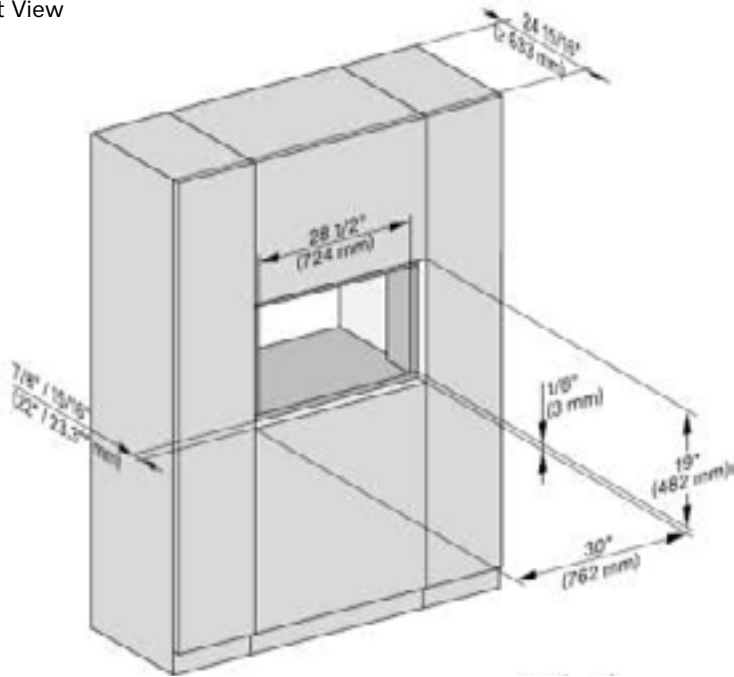
#### PRODUCT DIMENSIONS



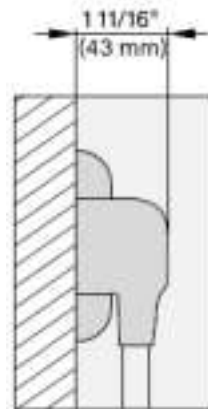
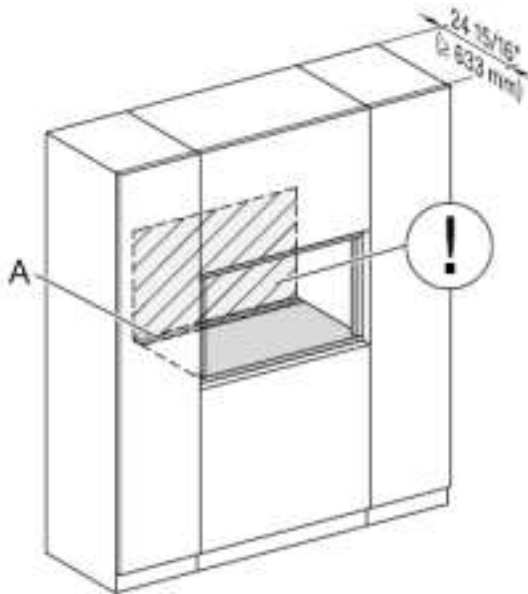
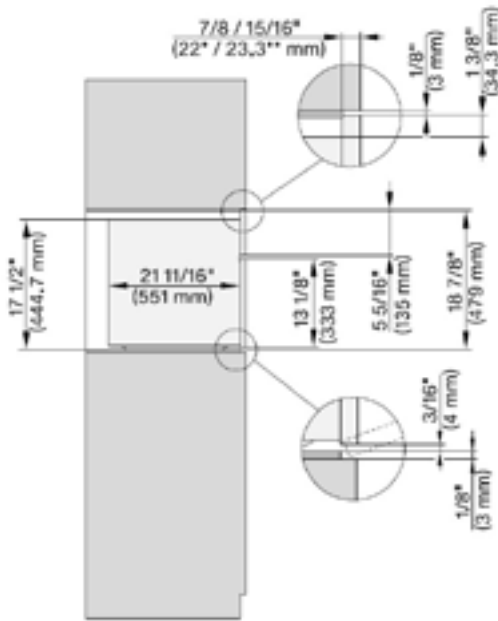
E = Electrical connection

## FLUSH CUTOUT DIMENSIONS

Front View



Side View



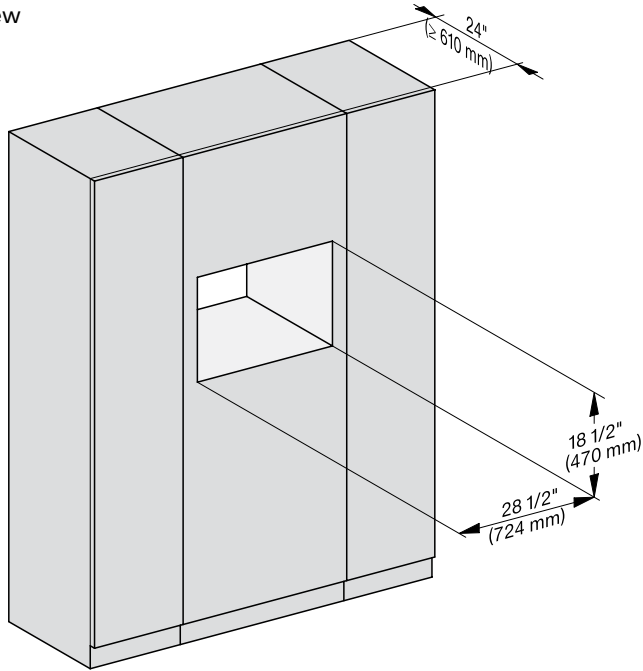
A - Cut-out (4" x 28" [100 mm x 720 mm]) in the bottom of the cabinet for the power cord and Ventilation

ⓘ- Electrical and water supplies are recommended to be placed in adjacent cabinetry.

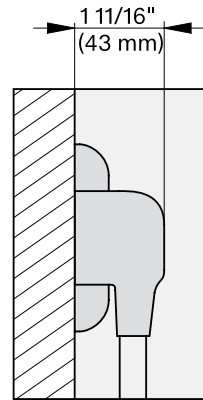
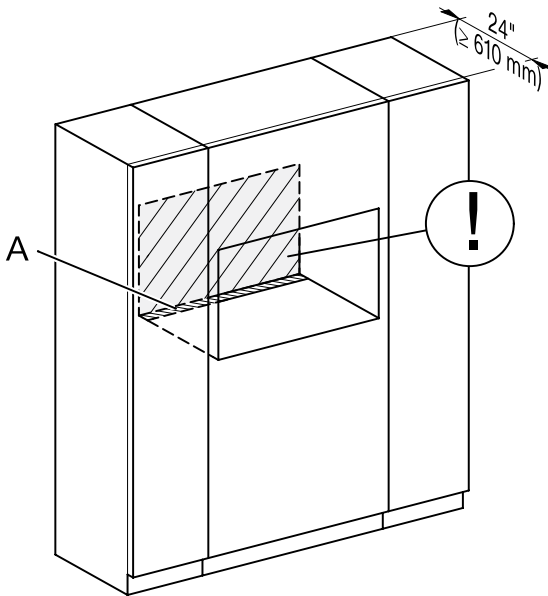
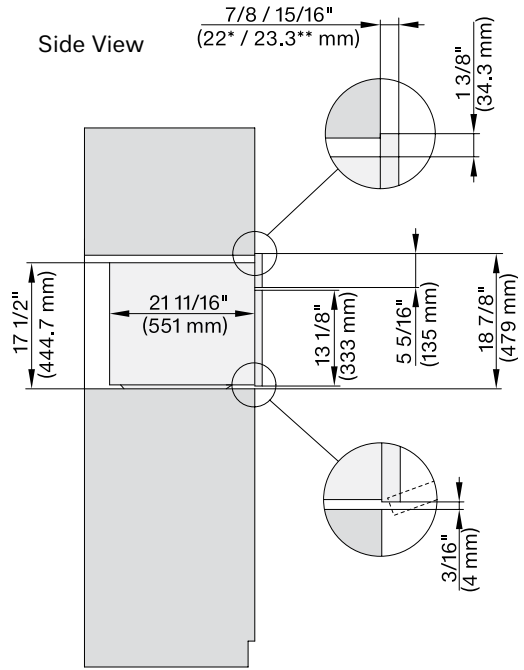
Additional cabinet depth is required when placing the electrical and water supplies behind the appliance.

## PROUD CUTOUT DIMENSIONS

Front View



Side View



A - Cut-out (4" x 28" [100 mm x 720 mm]) in the bottom of the cabinet for the power cord and Ventilation

ⓘ- Electrical and water supplies are recommended to be placed in adjacent cabinetry.

Additional cabinet depth is required when placing the electrical and water supplies behind the appliance.